

**Piezo Transducer (Self Drive)**

**Model: XPTF3016-32W**

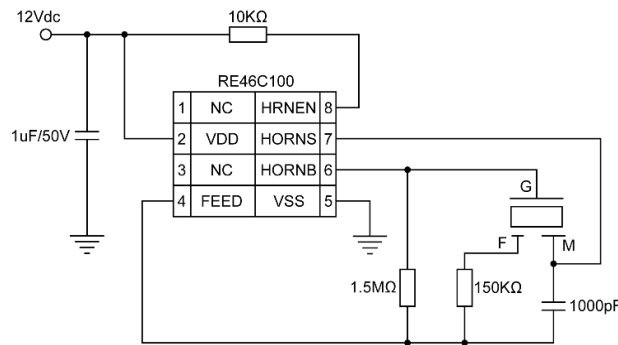


**ELECTRICAL SPECIFICATIONS**

	Condition	Parameter	Unit
Operating Voltage		6 ~ 16	Vdc
Rated Voltage		12	Vdc
Rated Current	at rated voltage, resonant freq.	Max. 30	mA
Resonant Frequency		3200	Hz
Sound Pressure Level	at 30cm, rated voltage, resonant freq.	Min. 105	dBA
Tone Nature		Single	
Terminal		Pin	
Operating Temperature		-40 ~ +85	°C
Housing Material		ABS	
Weight		6	g

Notes: Parameter applying at recommend driving circuit.

**RECOMMENDED DRIVING CIRCUIT**



**MECHANICAL DRAWING**

Dimensions in mm

Wire: UL1571 28AWG

Tolerance ±0.5mm Except Specified

