

Piezo Transducer (Self Drive)

Model: XPTF3019-32W

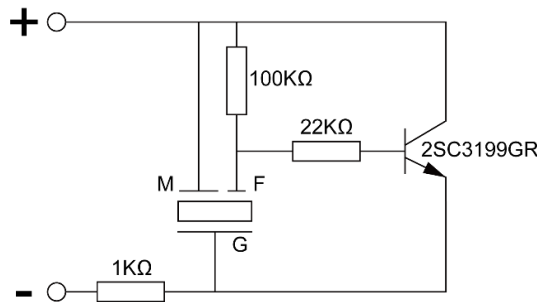


ELECTRICAL SPECIFICATIONS

	Condition	Parameter	Unit
Operating Voltage		3 ~ 20	Vdc
Rated Voltage		9	Vdc
Rated Current	at rated voltage, resonant freq.	Max. 15	mA
Resonant Frequency		3200	Hz
Sound Pressure Level	at 30cm, rated voltage, resonant freq.	Min. 85	dBA
Tone Nature		Single	
Terminal		Wire	
Operating Temperature		-20 ~ +60	°C
Housing Material		ABS	
Weight		7	g

Notes: Parameter applying at recommend driving circuit.

RECOMMENDED DRIVING CIRCUIT



MECHANICAL DRAWING

Dimensions in mm

Wire: AWM1095 28AWG

Tolerance ±0.5mm Except Specified

