

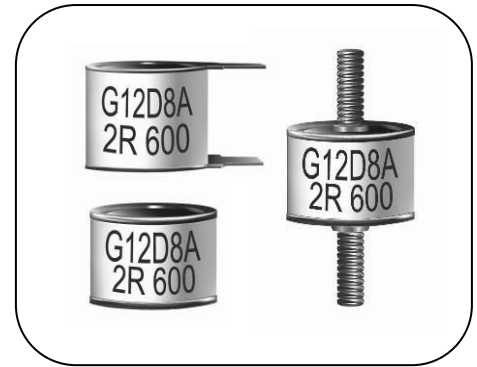
# Gas Discharge Tube: G12D8A Series



## 2-Electrode $\Phi$ 11.8 x T8 mm Type

### ■ Features

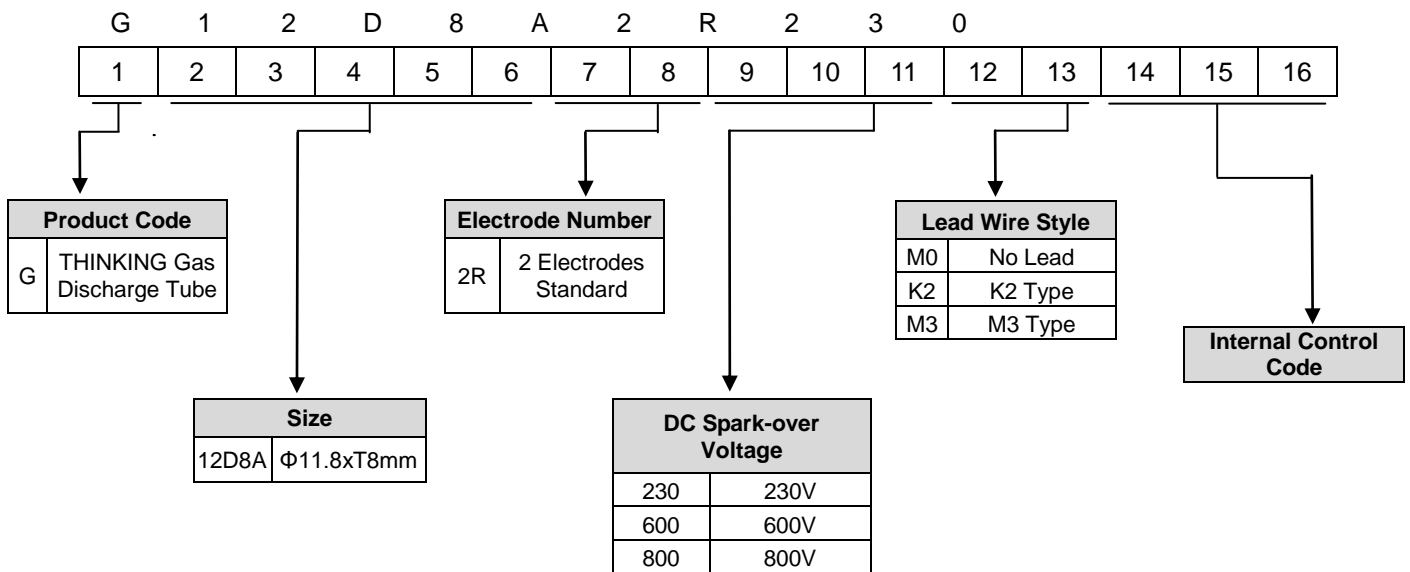
1. RoHS & HF compliant
2. Rugged ceramic-metal construction
3. DC spark-over voltage: 230~800V
4. Follow current at 50/60Hz: 100A ( For 470~800V)
5. Max continuous operating voltage at 50/60Hz: 255V ( For 470~800V)
6. Agency recognition: UL
7. Operating temperature: -40°C ~ +105°C  
Storage temperature: -40°C ~ +115°C



### ■ Recommended Applications

1. Power system
2. Industrial equipment
3. SPD module

### ■ Part Number Code



# Gas Discharge Tube: G12D8A Series



## 2-Electrode $\Phi 11.8 \times T8$ mm Type

### Characteristics

Part No.	DC Spark-over Voltage	Max. Impulse Breakdown Voltage	Max. Impulse Discharge Current (8/20 $\mu$ s)		Impulse Life (10/1000 $\mu$ s)	Normal Alternating Discharge Current	Max. Front-of-wave Spark-over voltage	Follow Current	Max Continuous Operating Voltage	Minimum Insulation Resistance (G $\Omega$ )	Maximum Breakdown Time (ns)	Safety Approvals
	100V/S	1KV/ $\mu$ s	1 time	10 times	300A	50Hz, 1Sec	1.2/50us 6KV	50/60Hz	50/60Hz			
	(V)	(V)	(KA)		(times)	(A)	(V)	(A)	(V)			
G12D8A2R230□□	230 $\pm$ 20%	700	40	20	300	40	1100	/	/	1	100	✓
G12D8A2R250□□	250 $\pm$ 20%	700					1100	/	/			✓
G12D8A2R300□□	300 $\pm$ 20%	800					1100	/	/			✓
G12D8A2R350□□	350 $\pm$ 20%	800					1100	/	/			✓
G12D8A2R420□□	420 $\pm$ 20%	800					1200	/	/			✓
G12D8A2R470□□	470 $\pm$ 20%	1000					1300	100	220			✓
G12D8A2R500□□	500 $\pm$ 20%	1000					1300	100	255			✓
G12D8A2R600□□	600 $\pm$ 20%	1200					1400	100	255			✓
G12D8A2R700□□	700 $\pm$ 20%	1300					1500	100	255			✓
G12D8A2R800□□	800 $\pm$ 20%	1400					1500	100	255			✓

Note 1: The □□ is the style of lead wire.

Note 2: UL 1449 4th File No: E314979.

Note 3: Insulation resistance test conditions:

DC Spark-over Voltage	DC Measuring Voltage
70-150V	50V
151-400V	100V
401-800V	250V

### Dimensions

(Unit: mm)

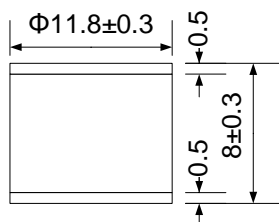


Figure 1

M0: No Lead

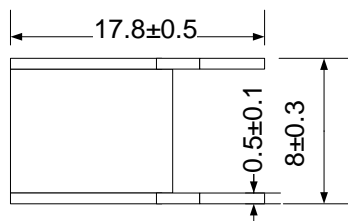


Figure 2

K2: K2 Type

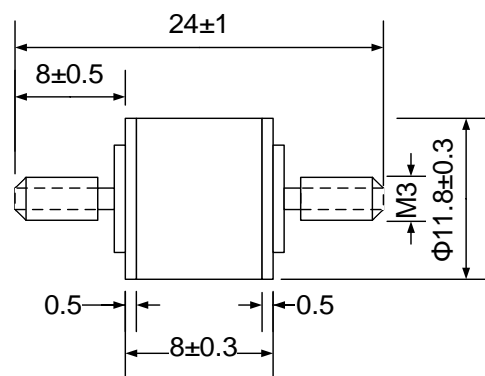
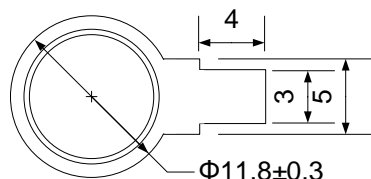


Figure 3

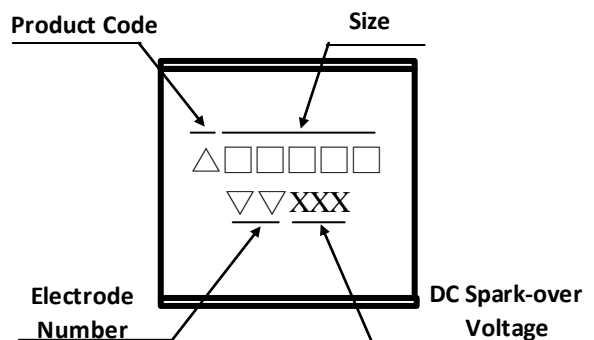
M3: M3 Type

# Gas Discharge Tube: G12D8A Series

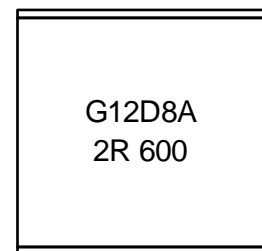
## 2-Electrode $\Phi 11.8 \times T8$ mm Type



### ■ Marking



Example



### ■ Packaging

- Bulk

### ■ Warehouse Storage Conditions of Products

- Storage Conditions:
  1. Storage Temperature:  $-10^{\circ}\text{C} \sim +40^{\circ}\text{C}$
  2. Relative Humidity:  $\leq 75\% \text{RH}$
  3. Keep away from corrosive atmosphere and sunlight.
- Period of Storage: 1 year