

# Gas Discharge Tube: GPF3Y-M Series



## SMD 3-Electrode $\Phi 5 \times 7.6$ mm Type

### ■ Features

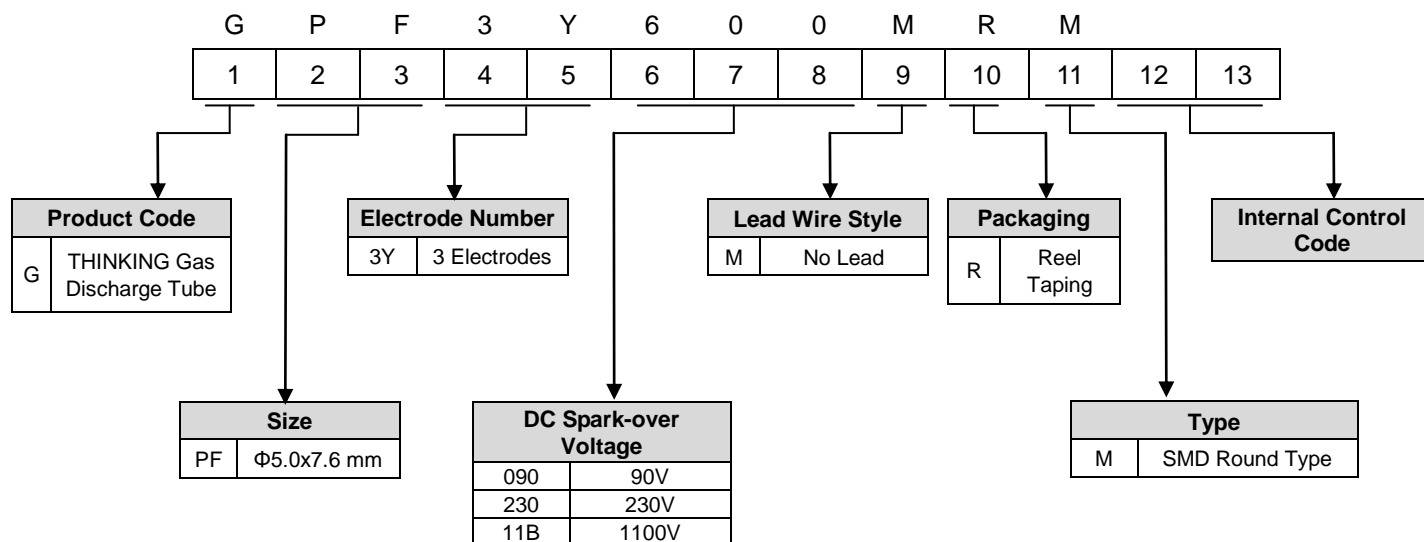
1. RoHS & HF compliant
2. Rugged ceramic-metal construction
3. DC spark-over voltage: 90~600V
4. Low capacitance
5. Agency recognition: UL
6. Operating temperature:  $-40^{\circ}\text{C} \sim +125^{\circ}\text{C}$   
Storage temperature:  $-40^{\circ}\text{C} \sim +125^{\circ}\text{C}$



### ■ Recommended Applications

1. Cable modem
2. xDSL
3. Set-top box
4. TV sets
5. Power supply
6. Consumer electronics

### ■ Part Number Code



# Gas Discharge Tube: GPF3Y-M Series



## SMD 3-Electrode $\Phi 5 \times 7.6\text{mm}$ Type

### ■ Characteristics

Part No.	DC Spark-over Voltage	Max. Impulse Breakdown Voltage	Max. Impulse Discharge Current (8/20 $\mu$ s)	Normal Alternating Discharge Current	Impulse Life (10/1000 $\mu$ s)	Minimum Insulation Resistance	Maximum Capacitance (1MHz)	Safety Approvals
	100V/S	1KV/ $\mu$ s	10 times	50Hz, 1Sec	100A			
	(V)	(V)	(KA)	(A)	(Time)			
GPF3Y090MRM	90 $\pm$ 30%	600	5	5	100	1	1	√
GPF3Y150MRM	150 $\pm$ 20%	650						√
GPF3Y230MRM	230 $\pm$ 20%	700						√
GPF3Y350MRM	350 $\pm$ 20%	900						√
GPF3Y420MRM	420 $\pm$ 20%	900						√
GPF3Y470MRM	470 $\pm$ 20%	1100						√
GPF3Y600MRM	600 $\pm$ 20%	1300						√

Note1: M is for SMD round type

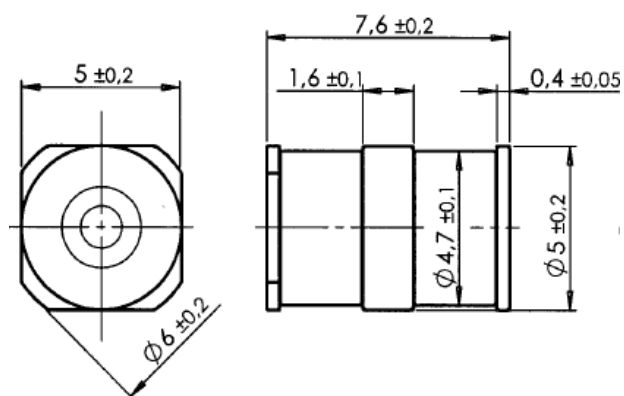
Note2: UL 497B File No: E245070

Note3: Insulation resistance test condition:

DC Spark-over Voltage	DC Measuring Voltage
90V	50V
150-600V	100V

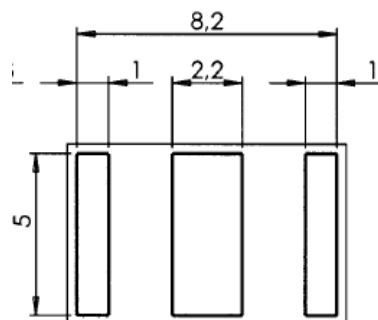
### ■ Dimension

(Unit: mm)



### ■ Recommended Pad Size

(Unit: mm)

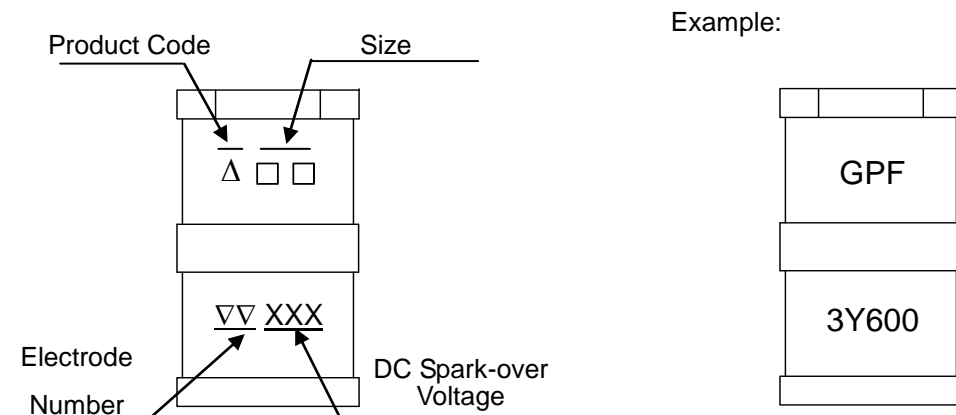


# Gas Discharge Tube: GPF3Y-M Series



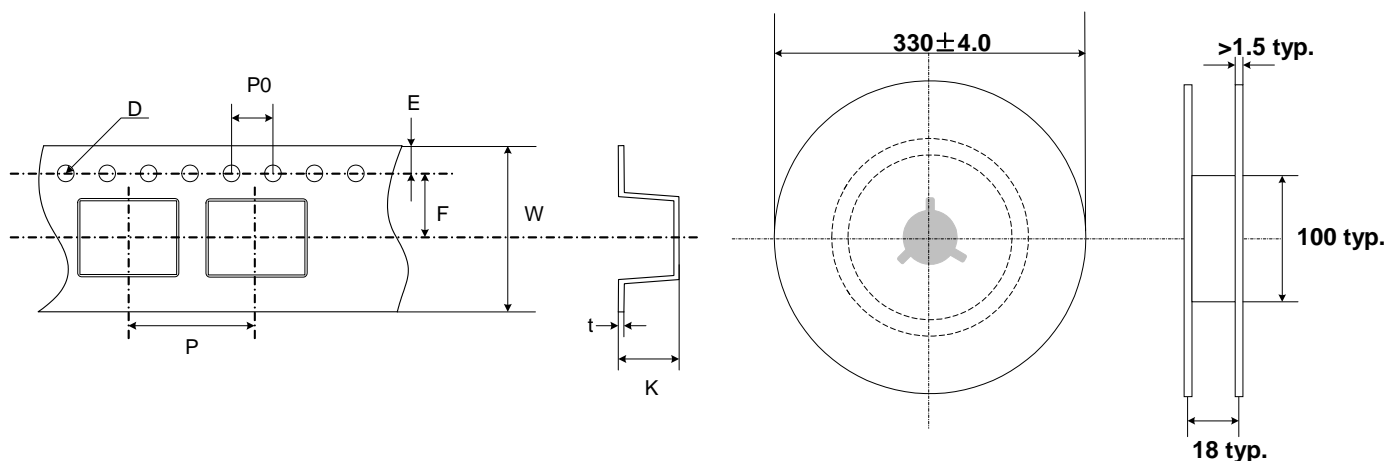
## SMD 3-Electrode $\Phi 5$ x 7.6mm Type

### ■ Marking



### ■ Packaging

#### ● Taping



Quantity (MPQ): 1000pcs

(Unit: mm)

ITEM	P	P0	W	F	E	D	K	t
Spec.	8	4.0	16.0	7.5	1.75	$\Phi 1.5$	5.3	0.4
Tolerance	$\pm 0.1$	$\pm 0.1$	$\pm 0.3$	$\pm 0.1$	$\pm 0.1$	$\pm 0.1$	$\pm 0.1$	$\pm 0.1$

### ■ Warehouse Storage Conditions of Products

#### ● Storage Conditions:

1. Storage Temperature:  $-10^{\circ}\text{C} \sim +40^{\circ}\text{C}$
2. Relative Humidity:  $\leq 75\% \text{RH}$
3. Keep away from corrosive atmosphere and sunlight.

#### ● Period of Storage: 1 year