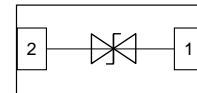


### Features

- 120Watts peak pulse power ( $t_p = 8/20\mu s$ )
- Tiny DFN0603-2 package
- Bidirectional configurations
- Solid-state silicon-avalanche technology
- Low clamping voltage
- Low leakage current
- Medium capacitance ( $C_j = 10pF$  typ.)
- Protection one data/power line to:
  - IEC 61000-4-2  $\pm 30kV$  contact  $\pm 30kV$  air
  - IEC 61000-4-4 (EFT) 40A (5/50ns)
  - IEC 61000-4-5 (Lightning) 5A (8/20 $\mu s$ )



### Mechanical Data

- **Case:** DFN0603-2 (plastic package).  
Lead free; RoHS compliant; Halogen free
- **Molding Compound Flammability Rating:**  
UL 94 V-0
- **Terminals:** High temperature soldering guaranteed:  
260 °C/10 sec. at terminals

### Applications

- Cell Phone Handsets and Accessories
- Microprocessor based equipment
- Personal Digital Assistants (PDA's)
- Notebooks, Desktops, and Servers
- Portable Instrumentation

### Absolute Maximum Ratings

Ratings at 25 °C, ambient temperature unless otherwise specified

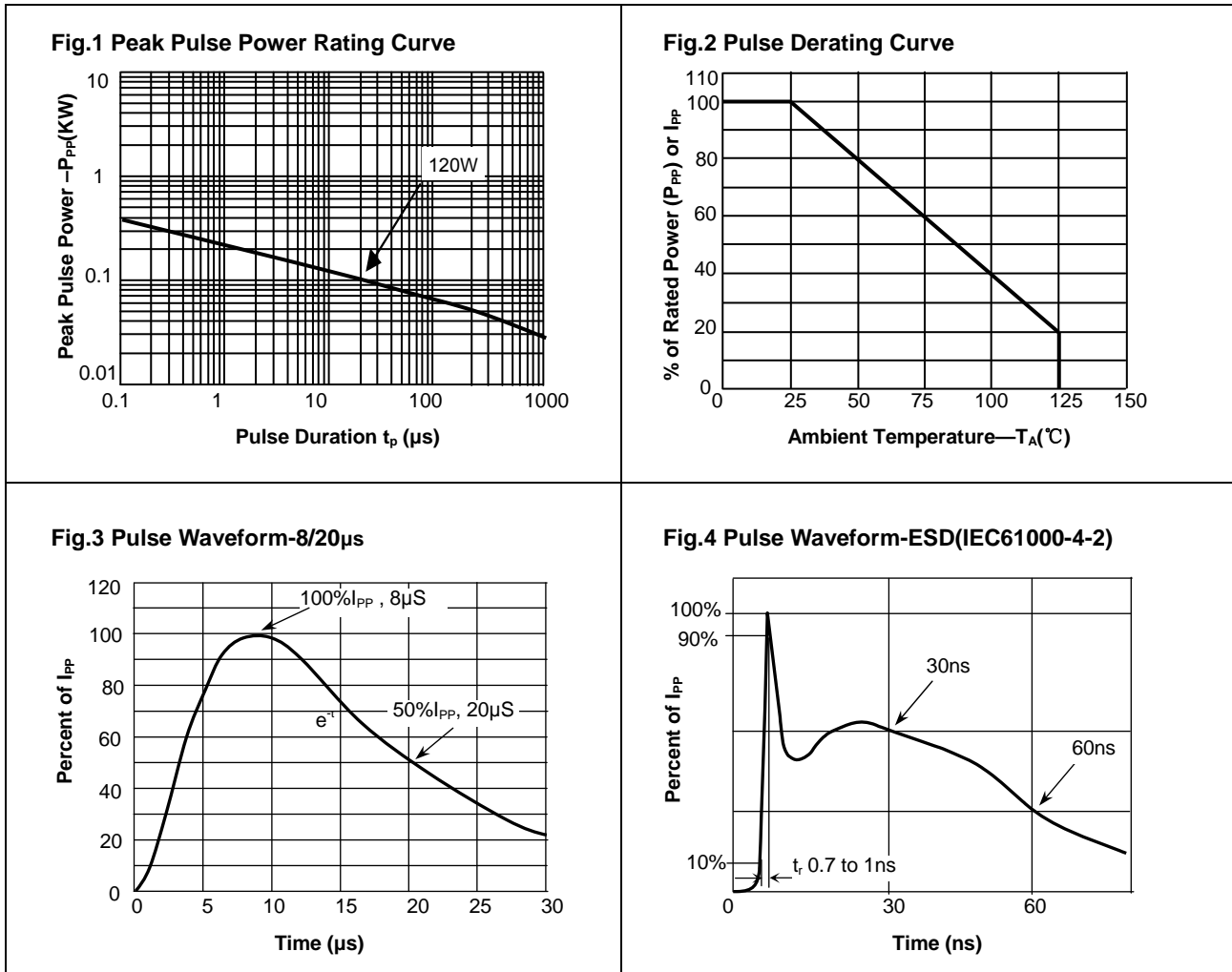
| Parameter   | Symbol    | Value       | Unit |
|---|-----------|-------------|------|
| Peak Pulse Power ( $T_P = 8/20\mu s$ )              | $P_{PP}$  | 120         | W    |
| ESD contact/air discharge (IEC-61000-4-2)           | $V_{ESD}$ | 30/30       | kV   |
| Peak Pulse Current ( $t_p = 8/20\mu s$ )            | $I_{PP}$  | 5           | A    |
| Junction Temperature                                | $T_J$     | -55 to +125 | °C   |
| Storage temperature                                 | $T_{STG}$ | -55 to +150 | °C   |
| Maximum Lead Solder Temperature(10 second duration) | $T_L$     | 260         | °C   |

### Electrical Characteristics

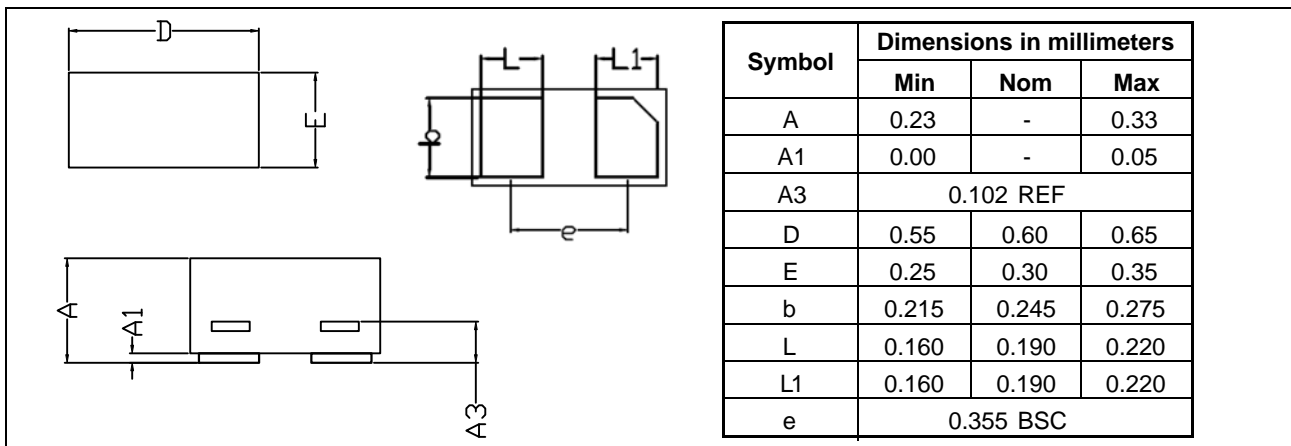
( $T_A = 25$  °C unless otherwise specified)

| Parameter                 | Symbol    | Condition                      | Min  | Typ | Max | Unit    |
|---------------------------|-----------|--------------------------------|------|-----|-----|---------|
| Reverse stand-off Voltage | $V_{RWM}$ |                                |      |     | 12  | V       |
| Reverse Breakdown Voltage | $V_{BR}$  | $I_T = 1mA$                    | 13.3 |     |     | V       |
| Reverse Leakage Current   | $I_R$     | $V_{RWM} = 12V$                |      | 0.1 | 0.5 | $\mu A$ |
| Clamping Voltage          | $V_C$     | $I_{PP} = 5A, t_p = 8/20\mu s$ |      |     | 24  | V       |
| Junction Capacitance      | $C_J$     | $V_R = 0V, f = 1MHz$           |      | 10  |     | pF      |

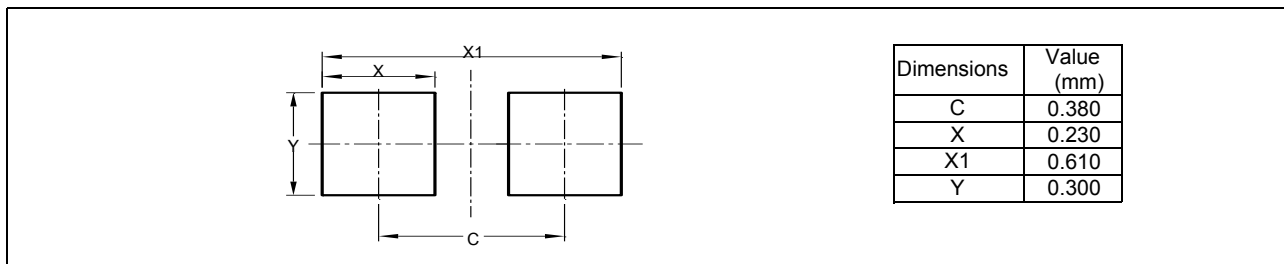
**Typical Characteristics** ( $T_{amb} = 25\text{ }^{\circ}\text{C}$  unless otherwise specified)



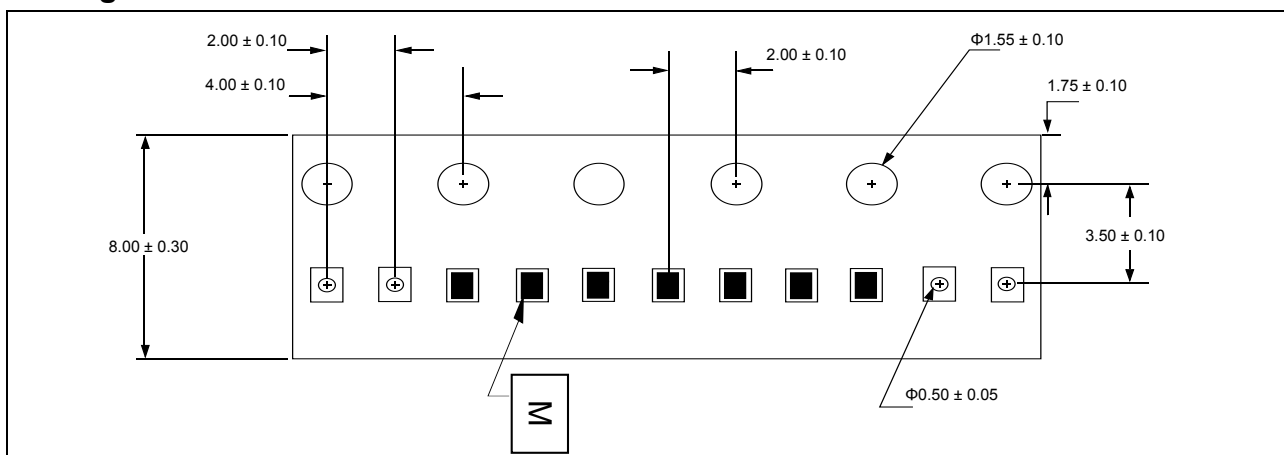
**Package Dimensions**



### Pad Dimensions



### Package Information



### Marking



### Ordering information

| Order code    | Package   | Packaging option | Base quantity   | Packaging specification |
|---------------|-----------|------------------|-----------------|-------------------------|
| YEDD0621205AG | DFN0603-2 | Tape and reel    | 10000pcs / reel | EIA STD RS-481          |