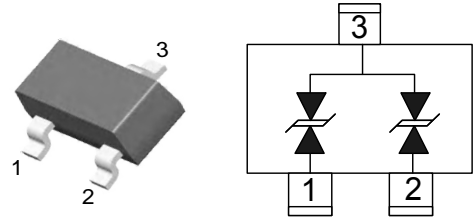


Features

- 400Watts peak pulse power ($T_P = 8/20\mu s$)
- Tiny SOT-23 package
- Bidirectional configurations
- Protects two I/O port
- Low clamping voltage
- Low Leakage current
- ESD-immunity acc. IEC 61000-4-2 $\pm 30kV$ contact $\pm 30kV$ air
- IEC 61000-4-4 (EFT) 40A (5/50ns)
- IEC 61000-4-5 (Lightning) 10A (8/20 μs)



Mechanical Data

- **Case:** SOT-23 (plastic package).
Lead free; RoHS compliant; Halogen free
- **Molding Compound Flammability Rating:**
UL 94 V-0
- **Terminals:** High temperature soldering guaranteed:
260 °C/10 sec. at terminals

Applications

- Cellular Handsets and Accessories
- RS-232, RS-422 & RS-485
- Control & Monitoring Systems
- Set-Top Box
- Portable Electronics
- Other electronics equipments Communication systems

Absolute Maximum Ratings

Ratings at 25 °C, ambient temperature unless otherwise specified

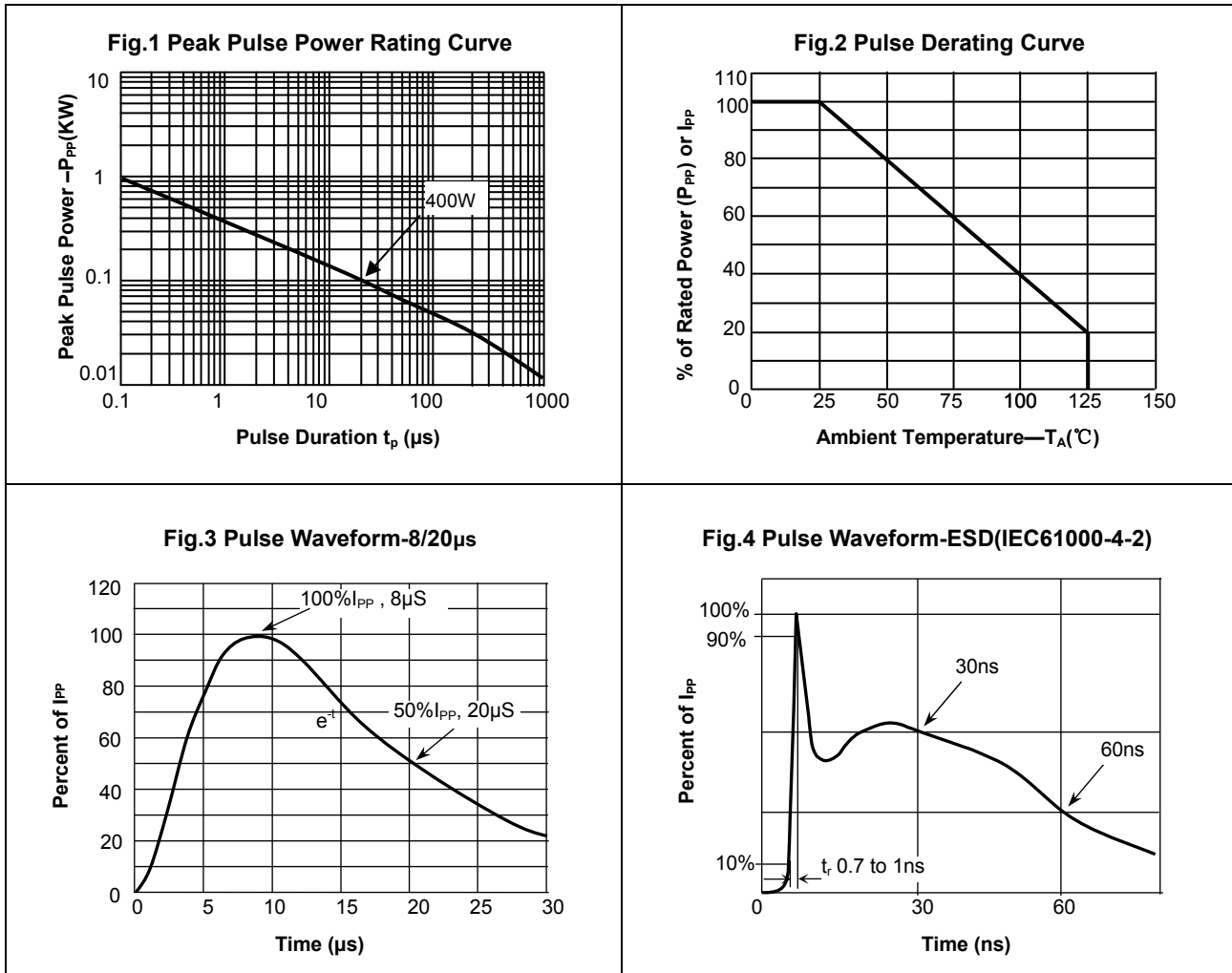
| Parameter | Symbol | Value | Unit |
|---|-----------|-------------|------|
| Peak Pulse Power ($T_P=8/20\mu s$) | P_{PP} | 400 | W |
| ESD contact/air discharge (IEC-61000-4-2) | V_{ESD} | 30/30 | kV |
| Peak Pulse Current ($T_P = 8/20\mu s$) | I_{PP} | 10 | A |
| Junction Temperature | T_J | -55 to +125 | °C |
| Storage temperature | T_{STG} | -55 to +150 | °C |

Electrical Characteristics

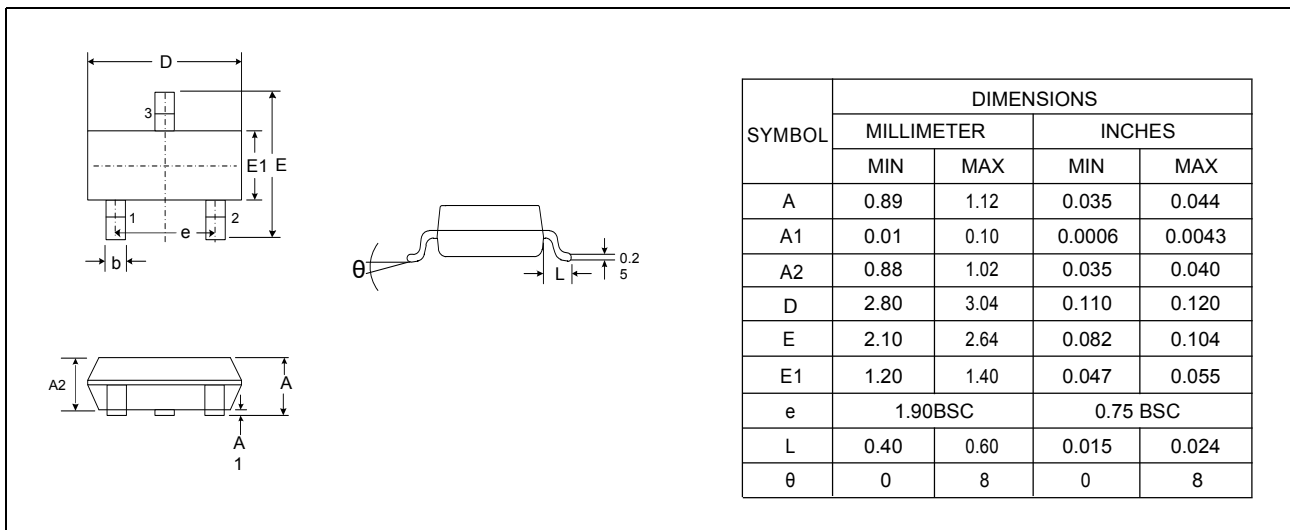
($T_A = 25\text{ °C}$ unless otherwise specified)

| Parameter | Symbol | Condition | Min | Typ | Max | Unit |
|----------------------------------|-----------|------------------|------|-----|-----|---------|
| Reverse stand-off Voltage | V_{RWM} | | | | 15 | V |
| Reverse Breakdown Voltage | V_{BR} | $I_T=1mA$ | 16.7 | | | V |
| Reverse Leakage Current | I_R | $V_{RWM}=15V$ | | | 0.5 | μA |
| Clamping Voltage (IEC 61000-4-5) | V_C | $I_{PP}=10A$ | | 40 | | V |
| Junction Capacitance | C_J | $V_R=0V, f=1MHz$ | | 20 | | pF |

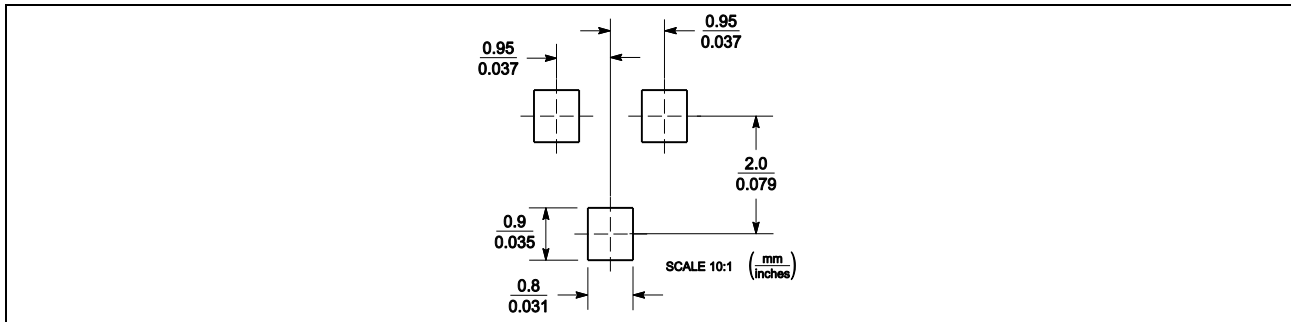
Typical Characteristics ($T_{amb} = 25\text{ }^{\circ}\text{C}$ unless otherwise specified)



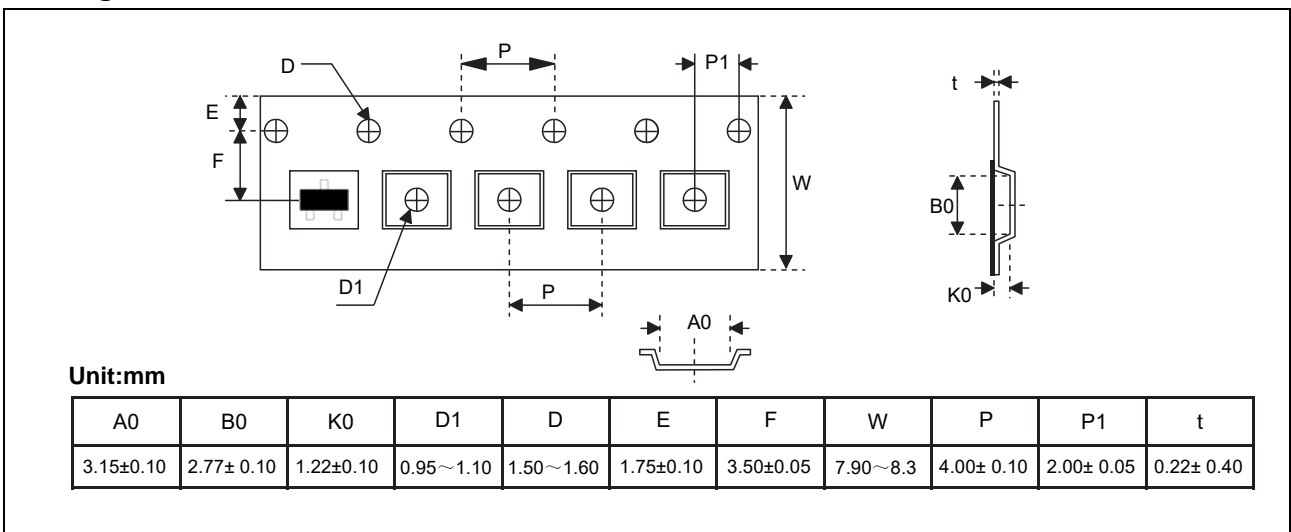
Package Dimensions



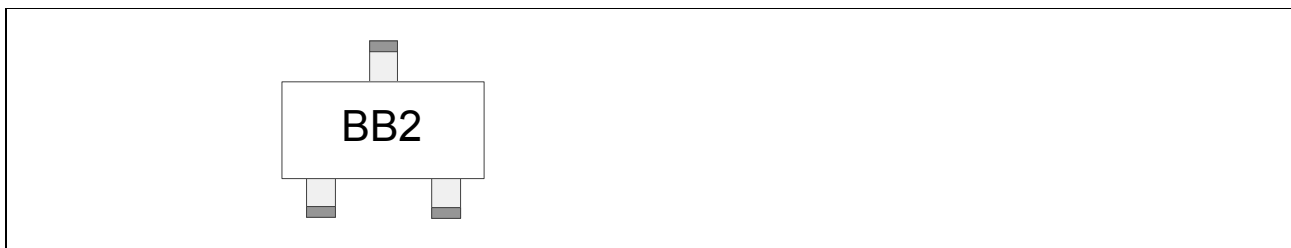
Pad Dimensions



Package Information



Marking



Ordering information

| Order code | Package | Packaging option | Base quantity | Packaging specification |
|---------------|---------|------------------|----------------|-------------------------|
| YEDST231510AG | SOT-23 | Tape and reel | 3000pcs / reel | EIA STD RS-481 |