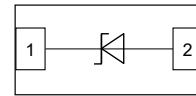


Key Features

- 80Watts peak pulse power ($T_P = 8/20\mu s$)
- DFN0603-2 package
- Solid-state silicon-avalanche technology
- Low clamping voltage
- Low leakage current
- Medium capacitance ($C_J=0.2pF$ typ.)
- Protection one data/power line to:
 - IEC 61000-4-2 $\pm 12kV$ contact $\pm 15kV$ air
 - IEC 61000-4-4 (EFT) 40A (5/50ns)
 - IEC 61000-4-5 (Lightning) 3.5A (8/20 μs)



Environmental Features

- 7 Ugy. DFN0603-2 (plastic package).
Lead free; RoHS compliant; Halogen free
- Ac`X]b[`7 ca dci bX': `Ua a UV]]miF U]b[.
UL 94 V-0
- Hyfa]bUg. High temperature soldering guaranteed:
260 °C/10 sec. at terminals

Applications

- Cell Phone Handsets and Accessories
- Personal Digital Assistants (PDA's)
- Microprocessor based equipment
- Notebooks, Desktops, and Servers
- Portable Instrumentation

5 Vgc`i hY`AU]a i a `FU]b[g

Ratings at 25 °C, ambient temperature unless otherwise specified

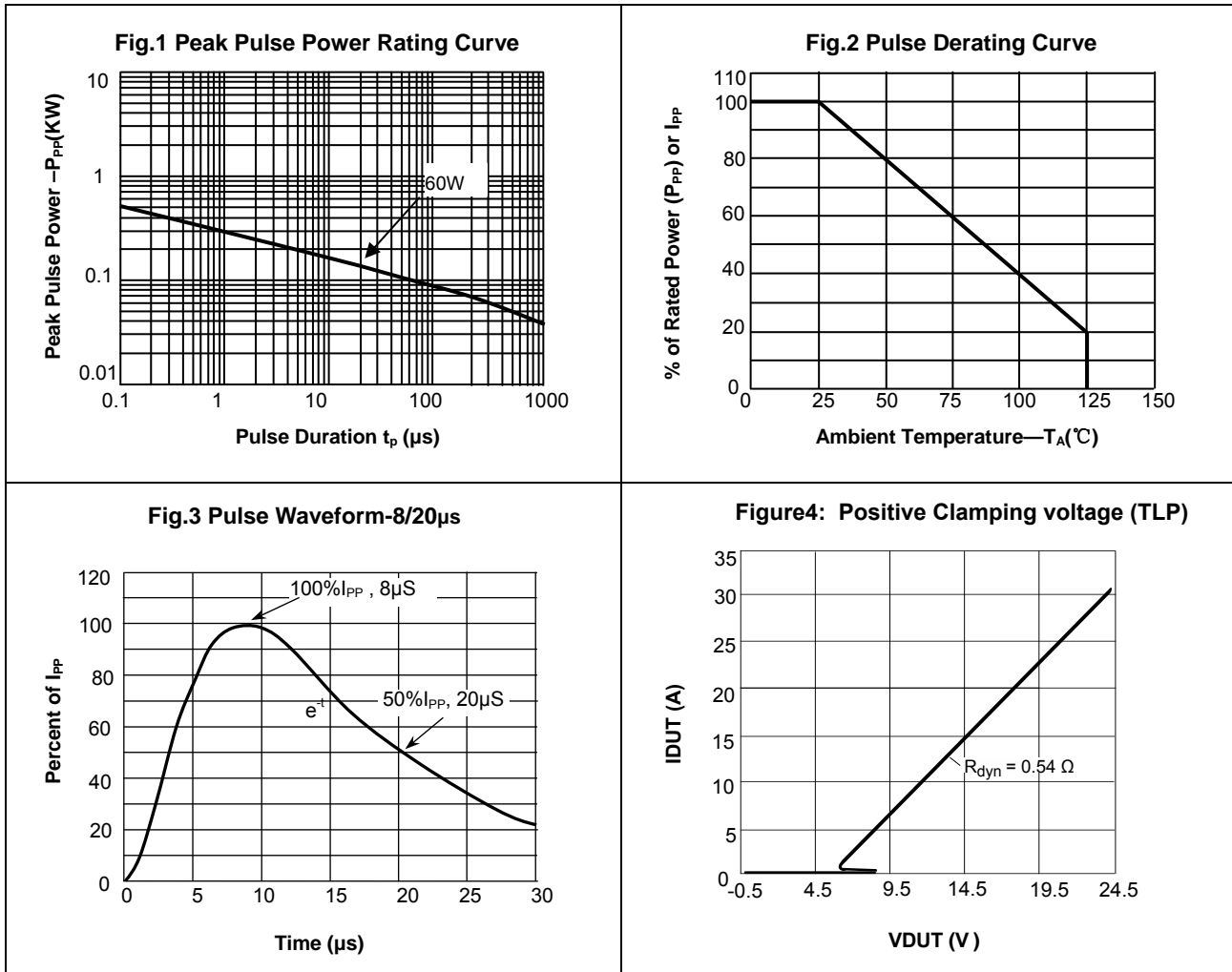
| Parameter | Symbol | Value | Unit |
|---|-----------|-------------|------|
| Peak Pulse Power ($T_P=8/20\mu s$) | P_{PP} | 80 | W |
| ESD contact/air discharge (IEC-61000-4-2) | V_{ESD} | 12/15 | kV |
| Peak Pulse Current ($T_P = 8/20\mu s$) | I_{PP} | 3.5 | A |
| Junction Temperature | T_J | -55 to +125 | °C |
| Storage temperature | T_{STG} | -55 to +150 | °C |

Electrical Characteristics

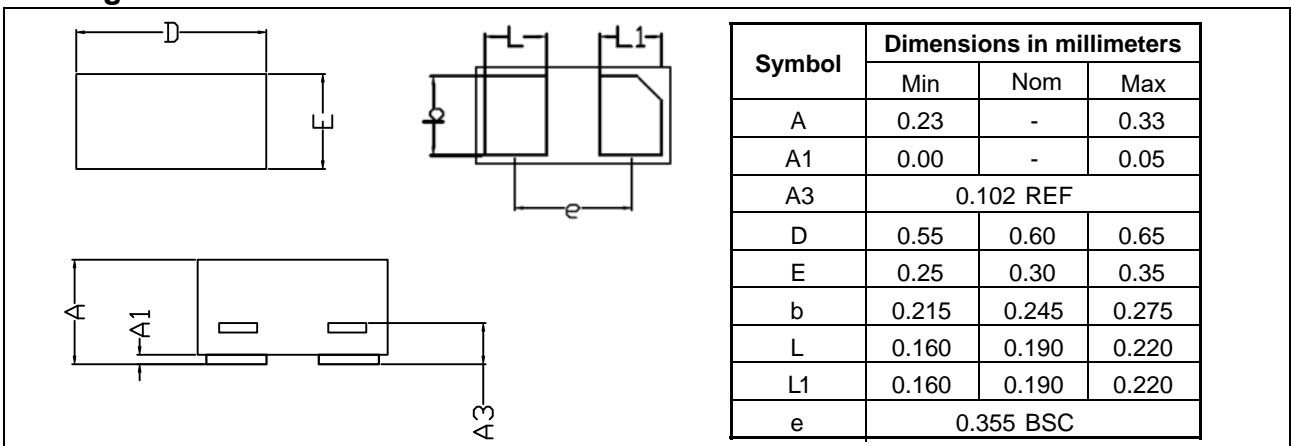
($T_A = 25$ °C unless otherwise specified)

| Parameter | Symbol | Condition | Min | Typ | Max | Unit |
|---------------------------|-----------|------------------------------|-----|------|------|----------|
| Reverse stand-off Voltage | V_{RWM} | | | | 5.0 | V |
| Reverse Breakdown Voltage | V_{BR} | $I_T=1mA$ | 6.0 | | | V |
| Reverse Leakage Current | I_R | $V_{RWM}=5V$ | | | 100 | nA |
| Clamping Voltage | V_C | $I_{PP}=1.0A, t_p=8/20\mu s$ | | | 13 | V |
| Clamping Voltage(TLP) | V_C | $I_{PP}=16A, T_P=100ns$ | | | 14.5 | V |
| Dynamic Resistance | R_{dyn} | $T_P=100ns$ | | 0.54 | | Ω |
| Junction Capacitance | C_J | $V_R=0V, f=1MHz$ | | 0.2 | | pF |

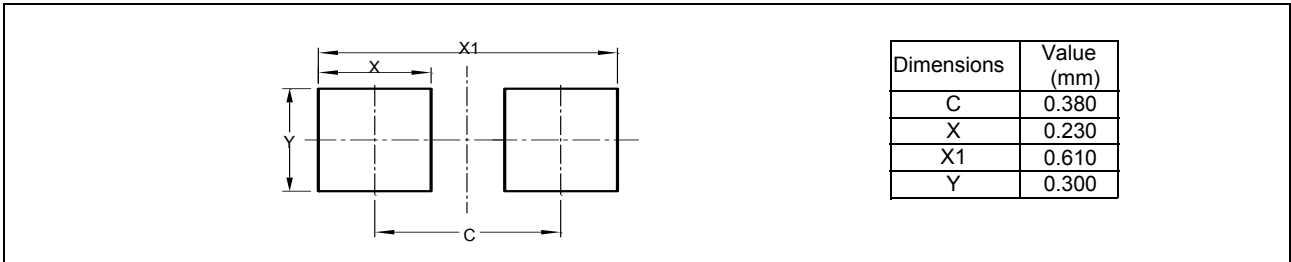
Typical Characteristics ($T_{amb} = 25\text{ }^{\circ}\text{C}$ unless otherwise specified)



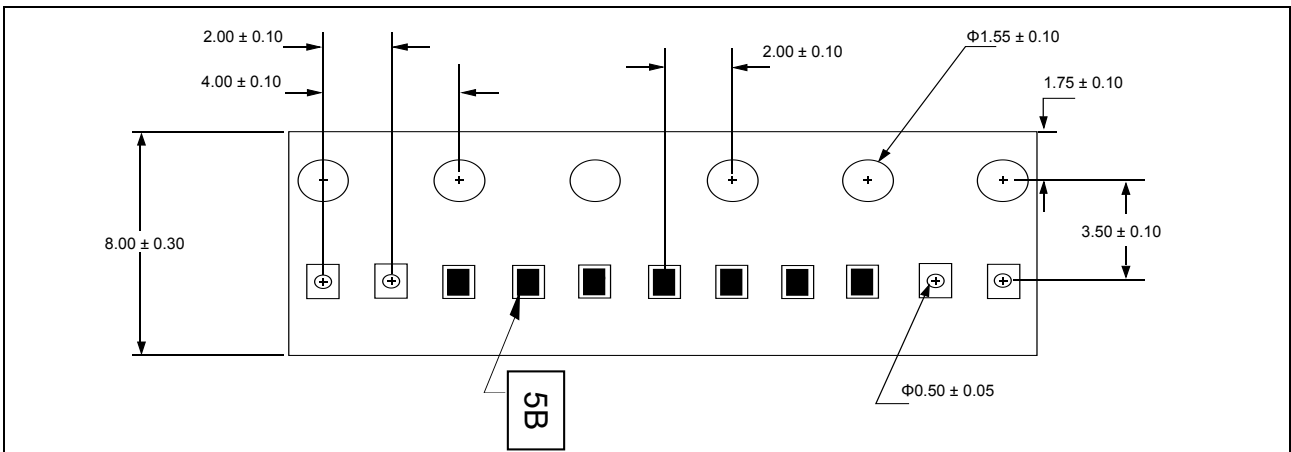
Package Dimensions



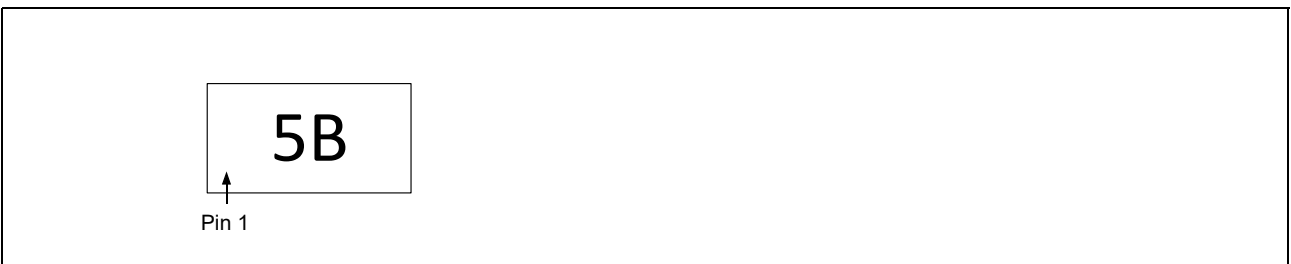
Pad Dimensions



Package Information



Marking



Ordering information

| Order code | Package | Packaging option | Base quantity | Packaging specification |
|---------------|-----------|------------------|-----------------|-------------------------|
| YEUD062053A5V | DFN0603-2 | Tape and reel | 10000pcs / reel | EIA STD RS-481 |