

# HIGH CURRENT TOROID INDUCTORS FA2111-V&H SERIES



## FEATURES:

- DC/DC converter, EMI filter applications.
- Low radiation.
- Low core loss.
- Test Frequency Response: 1KHz, 0.3mV.
- High current capacity.
- Operating temperature: -55°C to +105°C
- Current to cause 30°C Max. temperature rise.

## PRODUCT IDENTIFICATION:

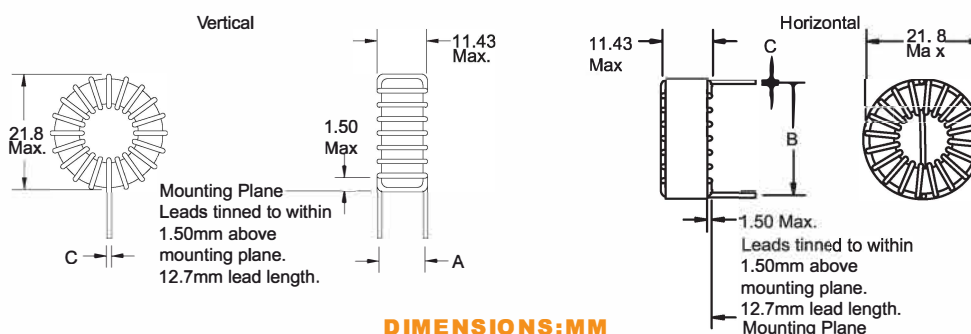
$$\frac{2111}{a} \frac{V}{b} \frac{330}{c} \frac{L}{d} \frac{5R0}{e}$$

- a: Size
- b: V is the vertical form, 'H' is to the horizontal form
- c: Inductance Value [101:100uH; 102:1000uH; 103:10000uH]
- d: Positive and negative tolerances [K:±10%; L:±15%; M:±20%]
- e: Rated current [0R2:0.2A; 1R2:1.2A; 10R2:12A]

## ELECTRICAL CHARACTERISTICS

Part Number	Inductance [uH] at 20°C	D.C. Resistance [Ω] Typ at 20°C	Rated current [A]	Inductance [uH] @Rated	Dimension A Nom	Dimension B Nom	Dimension C Nom
FA2111-V/H-100L10R8	10	0.003	10.8	6.6	8.6	19.5	1.40
FA2111-V/H-120L10R3	12	0.004	10.3	7.5	8.6	19.5	1.40
FA2111-V/H-150L7R7	15	0.010	7.7	10.6	8.4	19.3	1.10
FA2111-V/H-180L7R4	18	0.011	7.4	11.8	8.4	19.3	1.10
FA2111-V/H-220L7R0	22	0.012	7.0	14.2	8.4	19.3	1.10
FA2111-V/H-270L6R0	27	0.014	6.0	17.6	8.1	19.0	1.00
FA2111-V/H-330L5R0	33	0.020	5.0	23.4	8.1	19.0	0.90
FA2111-V/H-390L4R5	39	0.025	4.5	27.7	8.1	19.0	0.85
FA2111-V/H-470L3R8	47	0.030	3.8	35.1	7.8	19.0	0.80
FA2111-V/H-560L3R4	56	0.040	3.4	40.8	7.8	19.0	0.70
FA2111-V/H-680L3R3	68	0.045	3.3	47.6	7.8	19.0	0.70
FA2111-V/H-101L2R4	100	0.08	2.4	75.3	7.8	18.8	0.57
FA2111-V/H-121L2R2	120	0.09	2.2	89.8	7.8	18.8	0.57
FA2111-V/H-151L3R4	150	0.062	3.4	86.1	8.9	20.0	0.70
FA2111-V/H-181L2R6	180	0.10	2.6	114	8.6	19.5	0.63
FA2111-V/H-221L2R4	220	0.11	2.4	138	8.6	19.5	0.63
FA2111-V/H-271L1R8	270	0.14	1.8	187	8.4	19.3	0.55
FA2111-V/H-331L1R7	330	0.16	1.7	221	8.4	19.3	0.55
FA2111-V/H-391L1R7	390	0.18	1.7	251	8.4	19.3	0.55
FA2111-V/H-471L1R6	470	0.20	1.6	296	8.9	19.3	0.55
FA2111-V/H-561L1R5	560	0.22	1.5	351	8.9	20.0	0.55
FA2111-V/H-681L1R4	680	0.28	1.4	417	8.9	20.0	0.50
FA2111-V/H-821L1R4	820	0.30	1.4	477	8.9	20.0	0.50
FA2111-V/H-102L1R3	1000	0.35	1.3	574	9.4	20.5	0.50

## TECHNICAL INFORMATION:



# HIGH CURRENT TOROID INDUCTORS FA2111HT-V&H SERIES



## FEATURES:

- DC/DC converter, EMI filter applications.
- Low radiation.
- Low core loss.
- Test Frequency Response: 1KHz, 0.3mV.
- High current capacity.
- Operating temperature: -55°C to +105°C.
- Current to cause 50°C Max. temperature rise.

## PRODUCT IDENTIFICATION:

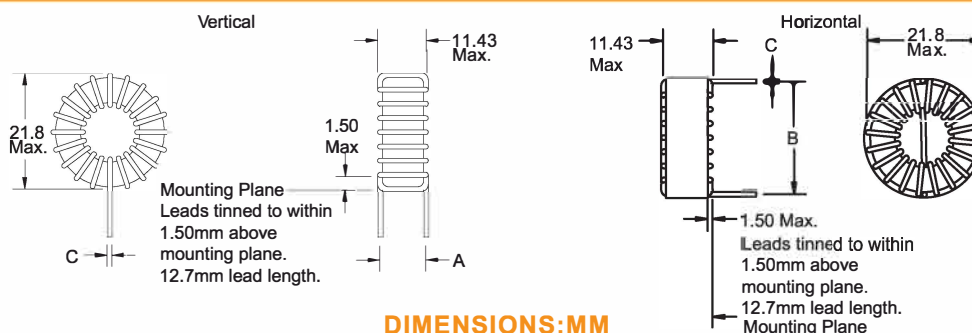
$\frac{2111HT}{a} \frac{V}{b} \frac{330}{c} \frac{L}{d} \frac{6R1}{e}$

- a: Size
- b:  $\bar{V}$  is the vertical form, 'H' is to the horizontal form
- c: Inductance Value [101:100uH; 102:1000uH; 103:10000uH]
- d: Positive and negative tolerances [K:±10%; L:±15%; M:±20%]
- e: Rated current [0R2:0.2A; 1R2:1.2A; 10R2:12A]

## ELECTRICAL CHARACTERISTICS

Part Number	Inductance [uH] at 20°C	D.C. Resistance [Ω] Typ at 20°C	Rated current [A]	Inductance [uH] @Rated	Dimension A Nom	Dimension B Nom	Dimension C Nom
FA2111HT-V/H-100L9R9	10	0.012	9.9	7.6	8.4	19.3	1.10
FA2111HT-V/H-120L9R6	12	0.013	9.6	9.0	8.4	19.3	1.10
FA2111HT-V/H-150L9R1	15	0.014	9.1	11.0	8.4	19.3	1.10
FA2111HT-V/H-180L8R6	18	0.016	8.6	13.0	8.4	19.3	1.10
FA2111HT-V/H-220L7R7	22	0.020	7.7	16.6	8.1	19.0	1.00
FA2111HT-V/H-270L6R4	27	0.025	6.4	20.1	8.1	19.0	0.90
FA2111HT-V/H-330L6R1	33	0.028	6.1	24.0	8.1	19.0	0.90
FA2111HT-V/H-390L5R9	39	0.030	5.9	28.0	8.1	19.0	0.80
FA2111HT-V/H-470L5R6	47	0.030	5.6	33.1	8.9	20.0	0.80
FA2111HT-V/H-560L5R3	56	0.035	5.3	38.5	8.9	20.0	0.80
FA2111HT-V/H-680L5R1	68	0.040	5.1	46.0	8.9	20.0	0.80
FA2111HT-V/H-820L4R8	82	0.045	4.8	54.0	8.9	20.0	0.80
FA2111HT-V/H-101L4R6	100	0.050	4.6	64.5	8.9	20.0	0.80
FA2111HT-V/H-121L3R5	120	0.08	3.5	84.4	8.6	19.5	0.70
FA2111HT-V/H-151L3R3	150	0.10	3.3	102.8	8.6	19.5	0.70
FA2111HT-V/H-181L3R1	180	0.12	3.1	120.7	8.6	19.5	0.70
FA2111HT-V/H-221L3R0	220	0.13	3.0	144.2	8.6	19.5	0.70
FA2111HT-V/H-271L2R8	270	0.14	2.8	172.6	8.9	20.0	0.70
FA2111HT-V/H-331L2R7	330	0.16	2.7	206.0	8.9	20.0	0.70
FA2111HT-V/H-391L2R1	390	0.22	2.1	266.7	8.4	19.3	0.55
FA2111HT-V/H-471L2R0	470	0.28	2.0	314.4	8.9	19.3	0.55
FA2111HT-V/H-561L1R9	560	0.32	1.9	366.9	8.9	20.0	0.55
FA2111HT-V/H-681L1R8	680	0.35	1.8	432.0	8.9	20.0	0.50
FA2111HT-V/H-821L1R7	820	0.39	1.7	512.0	9.4	20.5	0.55
FA2111HT-V/H-102L1R6	1000	0.43	1.6	608.2	9.4	20.5	0.55

## TECHNICAL INFORMATION



# HIGH CURRENT TOROID INDUCTORS FA2414-V&H SERIES



## FEATURES:

- DC/DC converter, EMI filter applications.
- Low radiation.
- Low core loss.
- Test Frequency Response: 1KHz, 0.3mV.
- High current capacity.
- Operating temperature: -55°C to +105°C.
- Current to cause 30°C Max. temperature rise.

## PRODUCT IDENTIFICATION:

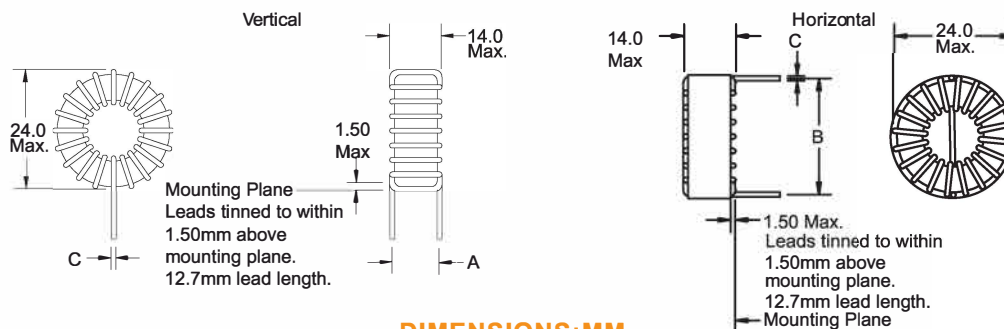
$$\frac{2414}{a} \frac{V}{b} \frac{330}{c} \frac{L}{d} \frac{7R4}{e}$$

- a: Size
- b: V is the vertical form, 'H' is to the horizontal form
- c: Inductance Value [101:100uH; 102:1000uH; 103:10000uH]
- d: Positive and negative tolerances [K:±10%; L:±15%; M:±20%]
- e: Rated current [0R 2:0.2A; 1R 2:1.2A; 10R 2:12A]

## ELECTRICAL CHARACTERISTICS

Part Number	Inductance [uH] at 20°C	D.C. Resistance [Ω] Typ at 20°C	Rated current [A]	Inductance [uH] @Rated	Dimension A Nom	Dimension B Nom	Dimension C Nom
FA2414-V/H-100L12R5	10	0.005	12.5	7.0	11.68	22.35	1.50
FA2414-V/H-120L12R0	12	0.006	12.0	7.9	11.68	22.35	1.50
FA2414-V/H-150L11R3	15	0.007	11.3	9.6	11.68	22.35	1.50
FA2414-V/H-180L10R8	18	0.008	10.8	11.3	11.68	22.35	1.50
FA2414-V/H-220L10R3	22	0.009	10.3	13.4	11.68	22.35	1.50
FA2414-V/H-270L9R8	27	0.010	9.8	16.0	11.68	22.35	1.40
FA2414-V/H-330L7R4	33	0.012	7.4	21.6	11.43	22.1	1.30
FA2414-V/H-390L7R1	39	0.014	7.1	25.0	11.43	22.1	1.20
FA2414-V/H-470L6R7	47	0.018	6.7	29.3	11.43	22.1	1.10
FA2414-V/H-560L6R4	56	0.022	6.4	34.1	11.43	22.1	1.00
FA2414-V/H-680L4R9	68	0.028	4.9	45.7	11.12	21.8	0.90
FA2414-V/H-101L4R4	100	0.040	4.4	65.0	11.12	21.8	0.90
FA2414-V/H-121L3R3	120	0.045	3.3	86.4	11.12	21.8	0.90
FA2414-V/H-151L3R1	150	0.050	3.1	105	11.12	21.8	0.90
FA2414-V/H-181L3R8	180	0.055	3.8	108	11.12	21.8	0.90
FA2414-V/H-221L3R6	220	0.060	3.6	127	11.12	21.8	0.90
FA2414-V/H-271L3R4	270	0.065	3.4	153	11.12	21.8	0.90
FA2414-V/H-331L3R3	330	0.090	3.3	176	11.12	21.8	0.80
FA2414-V/H-391L2R5	390	0.13	2.5	237	11.12	21.8	0.70
FA2414-V/H-471L2R3	470	0.14	2.3	281	11.12	21.8	0.70
FA2414-V/H-561L2R2	560	0.18	2.2	327	11.12	21.8?	0.65
FA2414-V/H-681L2R1	680	0.22	2.1	387	11.12	21.8	0.60
FA2414-V/H-821L2R0	820	0.25	2.0	453	11.12	21.8	0.60
FA2414-V/H-102L1R9	1000	0.28	1.9	537	11.12	21.8	0.60

## TECHNICAL INFORMATION



# HIGH CURRENT TOROID INDUCTORS FA2414-V&H SERIES



## FEATURES:

- DC/DC converter, EMI filter applications.
- Low radiation.
- Low core loss.
- Test Frequency Response: 1KHz, 0.3mV.
- High current capacity.
- Operating temperature: -55°C to +105°C.
- Current to cause 30°C Max. temperature rise.

## PRODUCT IDENTIFICATION:

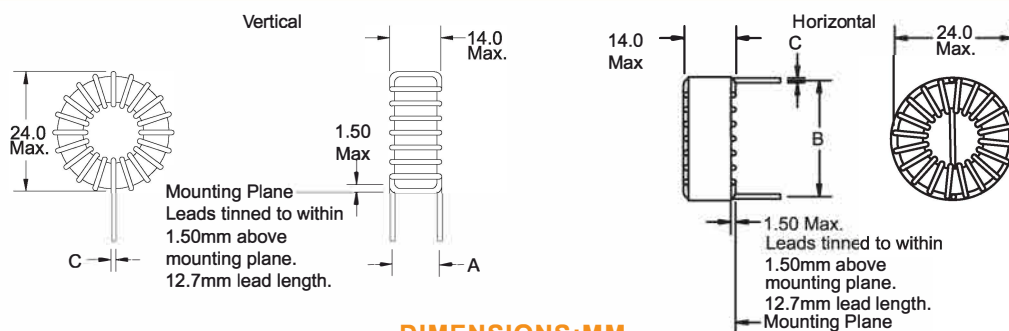
$$\frac{2414}{a} \frac{V}{b} \frac{330}{c} \frac{L}{d} \frac{7R4}{e}$$

- a: Size
- b: V is to the vertical form, 'H' is to the horizontal form
- c: Inductance Value [101:100uH;102:1000uH;103:10000uH]
- d: Positive and negative tolerances [K:±10%;L:±15%;M:±20%]
- e: Rated current [0R2:0.2A;1R2;1.2A;10R2:12A]

## ELECTRICAL CHARACTERISTICS

Part Number	Inductance [uH] at 20°C	D.C. Resistance [Ω] Typ at 20°C	Rated current [A]	Inductance [uH] @Rated	Dimension A Nom	Dimension B Nom	Dimension C Nom
FA2414-V/H-100L12R5	10	0.005	12.5	7.0	11.68	22.35	1.50
FA2414-V/H-120L12R0	12	0.006	12.0	7.9	11.68	22.35	1.50
FA2414-V/H-150L11R3	15	0.007	11.3	9.6	11.68	22.35	1.50
FA2414-V/H-180L10R8	18	0.008	10.8	11.3	11.68	22.35	1.50
FA2414-V/H-220L10R3	22	0.009	10.3	13.4	11.68	22.35	1.50
FA2414-V/H-270L9R8	27	0.010	9.8	16.0	11.68	22.35	1.40
FA2414-V/H-330L7R4	33	0.012	7.4	21.6	11.43	22.1	1.30
FA2414-V/H-390L7R1	39	0.014	7.1	25.0	11.43	22.1	1.20
FA2414-V/H-470L6R7	47	0.018	6.7	29.3	11.43	22.1	1.10
FA2414-V/H-560L6R4	56	0.022	6.4	34.1	11.43	22.1	1.00
FA2414-V/H-680L4R9	68	0.028	4.9	45.7	11.12	21.8	0.90
FA2414-V/H-101L4R4	100	0.040	4.4	65.0	11.12	21.8	0.90
FA2414-V/H-121L3R3	120	0.045	3.3	86.4	11.12	21.8	0.90
FA2414-V/H-151L3R1	150	0.050	3.1	105	11.12	21.8	0.90
FA2414-V/H-181L3R8	180	0.055	3.8	108	11.12	21.8	0.90
FA2414-V/H-221L3R6	220	0.060	3.6	127	11.12	21.8	0.90
FA2414-V/H-271L3R4	270	0.065	3.4	153	11.12	21.8	0.90
FA2414-V/H-331L3R3	330	0.090	3.3	176	11.12	21.8	0.80
FA2414-V/H-391L2R5	390	0.13	2.5	237	11.12	21.8	0.70
FA2414-V/H-471L2R3	470	0.14	2.3	281	11.12	21.8	0.70
FA2414-V/H-561L2R2	560	0.18	2.2	327	11.12	21.8?	0.65
FA2414-V/H-681L2R1	680	0.22	2.1	387	11.12	21.8	0.60
FA2414-V/H-821L2R0	820	0.25	2.0	453	11.12	21.8	0.60
FA2414-V/H-102L1R9	1000	0.28	1.9	537	11.12	21.8	0.60

## TECHNICAL INFORMATION



DIMENSIONS:MM

# HIGH CURRENT TOROID INDUCTORS FA3216-V&H SERIES



## FEATURES:

- DC/DC converter, EMI filter applications.
- Low radiation.
- Low core loss.
- Test Frequency Response: 1KHz, 0.3mV.
- High current capacity.
- Operating temperature: -55°C to +125°C.
- Current to cause 30°C Max. temperature rise.

## PRODUCT IDENTIFICATION:

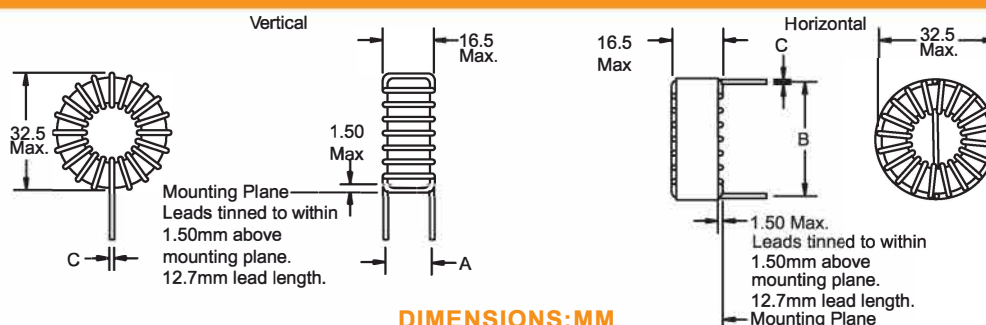
$$\frac{3216}{a} \frac{V}{b} \frac{330}{c} \frac{L}{d} \frac{13R0}{e}$$

- a: Size
- b: V is to the vertical form, 'H' is to the horizontal form
- c: Inductance Value [101:100uH; 102:1000uH; 103:10000uH]
- d: Positive and negative tolerances [K:±10%; L:±15%; M:±20%]
- e: Rated current [0R2:0.2A; 1R2; 1.2A; 10R2:12A]

## ELECTRICAL CHARACTERISTICS

Part Number	Inductance [uH] at 20°C	D.C. Resistance [Ω] Typ at 20°C	Rated current [A]	Inductance [uH] @Rated	Dimension A Nom	Dimension B Nom	Dimension C Nom
FA3216-V/H-100L20R8	10	0.004	20.8	5.5	15.0	30.7	1.60
FA3216-V/H-120L19R6	12	0.004	19.6	6.5	15.0	30.7	1.60
FA3216-V/H-150L18R6	15	0.056	18.6	8.3	15.0	30.7	1.60
FA3216-V/H-180L18R5	18	0.005	18.5	9.2	15.0	30.7	1.60
FA3216-V/H-220L17R7	22	0.006	17.7	10.4	15.0	30.7	1.60
FA3216-V/H-270L17R0	27	0.006	17.0	12.6	15.0	30.7	1.60
FA3216-V/H-330L13R0	33	0.009	13.0	17.6	14.2	30.0	1.40
FA3216-V/H-390L12R2	39	0.010	12.2	21.0	14.2	30.0	1.40
FA3216-V/H-470L11R8	47	0.011	11.8	24.2	14.2	30.0	1.40
FA3216-V/H-560L8R9	56	0.020	8.9	32.6	13.7	29.5	1.10
FA3216-V/H-680L8R5	68	0.023	8.5	37.4	13.7	29.5	1.10
FA3216-V/H-820L8R1	82	0.025	8.1	44.4	13.7	29.5	1.10
FA3216-V/H-101L7R8	100	0.027	7.8	51.7	13.7	29.5	1.10
FA3216-V/H-121L7R4	120	0.030	7.4	60.0	13.7	29.5	1.10
FA3216-V/H-151L7R0	150	0.033	7.0	71.4	13.7	29.5	1.10
FA3216-V/H-181L6R7	180	0.037	6.7	83.3	13.7	29.5	1.10
FA3216-V/H-221L5R1	220	0.06	5.1	116	13.2	29.0	0.90
FA3216-V/H-271L4R8	270	0.07	4.8	138	13.2	29.0	0.90
FA3216-V/H-331L4R6	330	0.08	4.6	162	13.2	29.0	0.90
FA3216-V/H-391L4R4	390	0.085	4.4	189	13.2	29.0	0.90
FA3216-V/H-471L4R2	470	0.09	4.2	215	13.2	29.0	0.90
FA3216-V/H-561L4R0	560	0.10	4.0	251	13.2	29.0	0.90
FA3216-V/H-681L3R8	680	0.12	3.8	294	13.2	29.0	0.80
FA3216-V/H-821L3R6	820	0.13	3.6	343	13.2	29.0	0.80
FA3216-V/H-102L3R5	1000	0.15	3.5	396	13.2	29.0	0.80

## TECHNICAL INFORMATION



DIMENSIONS:MM