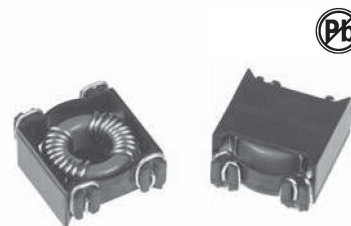


CURRENT-COMPENSATED FRAME CORE DOUBLE CHOKES FACM12 CP,12 BS SERIES



FEATURES:

Rated voltage 250 VAC.
 Rated current 0.3A to 3A.
 Rated inductance 0.22mH to 27 mH.
 Turns ratio:N1:N2=1:1±2%.
 Hi-Pot: Pri-Sec:1500VAC /5mA /2Seconds.
 Test Frequency R esponse:10KHz,100mV.
 Inductance tolerance: Min and +50% -30% at 20°C.
 Operating temperature: -40°C to +105°C.
 All parts meet RO HS compliance.

PRODUCT IDENTIFICATION:

$\frac{CM}{a} \frac{12}{b} \frac{CP}{c} \frac{273}{d} \frac{Y}{e} \frac{OR3}{f}$

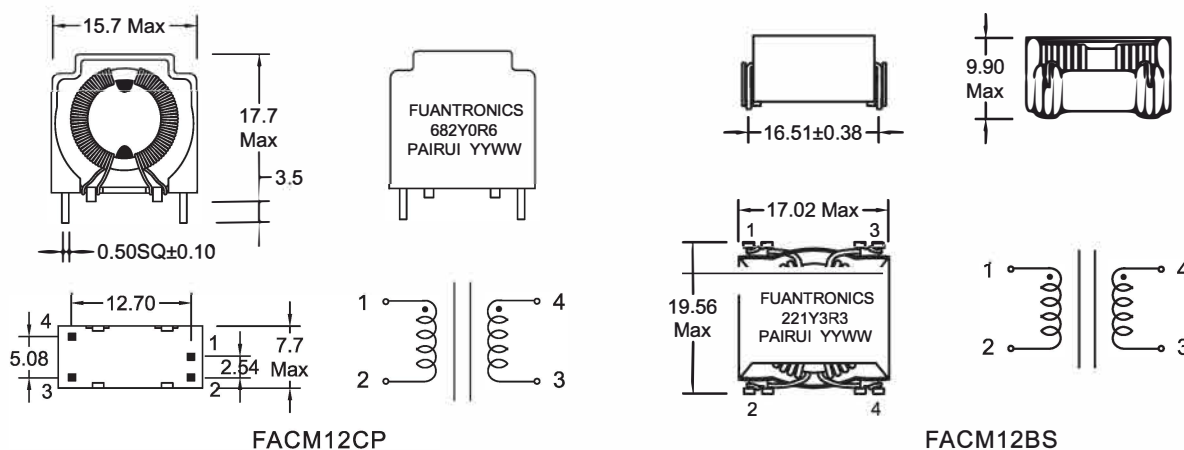
a:Common mode
 b:Size
 c:Install shape
 d:Inductance Value [101:100uH;102:1000uH;103:10000uH]
 e:Inductance tolerance: minimum value
 f:Rated current [OR 2:0.2A;1R 2:1.2A;10R 2:12A]

ELECTRICAL CHARACTERISTICS

Part Number	Inductance [mH]Min	D.C.Resistance [Ω] Max at 20°C	Rated current [A]
FACM12CP-273YOR3	27	1.5	0.30
FACM12CP-183YOR35	18	1.0	0.35
FACM12CP-153YOR4	15	0.8	0.40
FACM12CP-103YOR5	10	0.6	0.50
FACM12CP-682YOR6	6.8	0.4	0.60
FACM12CP-472YOR7	4.7	0.3	0.70
FACM12CP-392YOR8	3.9	0.2	0.80
FACM12CP-272YOR9	2.7	0.15	0.90
FACM12CP-222Y1R0	2.2	0.13	1.00
FACM12CP-152Y1R2	1.5	0.10	1.20

Part Number	Inductance [mH]Min	D.C.Resistance [Ω] Max at 20°C	Rated current [A]
FACM12BS-222YOR6	2.2	0.16	0.60
FACM12BS-152YOR7	1.5	0.13	0.70
FACM12BS-122Y1R0	1.2	0.08	1.0
FACM12BS-102Y1R2	1.0	0.07	1.2
FACM12BS-821Y1R5	0.82	0.06	1.5
FACM12BS-681Y2R0	0.68	0.05	2.0
FACM12BS-331Y2R5	0.33	0.04	2.5
FACM12BS-221Y3R0	0.22	0.03	3.0

TECHNICAL INFORMATION



DIMENSIONS:MM Tolerance: .X ±0.50 .XX ±0.25

CURRENT-COMPENSATED FRAME CORE DOUBLE CHOKES FACM25,31BPV SERIES



FEATURES:

- Rated voltage 250 VAC.
- Rated current 1.5A to 20A.
- Rated inductance 0.68mH to 33 mH.
- Turns ratio: N1:N2=1:1 ± 2%.
- Hi-Pot: Pri-Sec: 1500VAC /5mA /2Seconds.
- Test Frequency R esponse: 10KHz, 100mV.
- Inductance tolerance: Min at 20°C.
- Operating temperature: -40°C to +105°C.
- All parts meet RO HS compliance.

PRODUCT IDENTIFICATION:

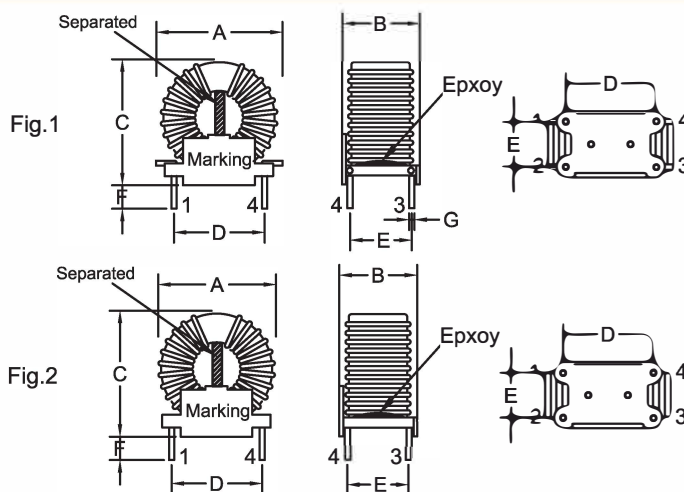
$\frac{CM}{a} \frac{25}{b} \frac{BPV}{c} \frac{333}{d} \frac{Y}{e} \frac{1R5}{f}$

- a: Common mode
- b: Size
- c: Vertical Install shape
- d: Inductance Value [101: 100uH; 102: 1000uH; 103: 10000uH]
- e: Inductance tolerance: minimum value
- f: Rated current [OR 2: 0.2A; 1R 2: 1.2A; 10R 2: 12A]

ELECTRICAL CHARACTERISTICS

Part Number	Inductance [mH]Min	D.C. Resistance [Ω] Max at 20°C	Rated current [A]	Part Number	Inductance [mH]Min	D.C. Resistance [Ω] Max at 20°C	Rated current [A]
FACM25BPV-333Y1R5	33	0.40	1.5	FACM31BPV-333Y2R0	33	0.25	2.0
FACM25BPV-223Y2R0	22	0.25	2.0	FACM31BPV-253Y3R0	25	0.15	3.0
FACM25BPV-103Y2R5	10	0.15	2.5	FACM31BPV-153Y4R0	15	0.10	4.0
FACM25BPV-682Y3R0	6.8	0.10	3.0	FACM31BPV-103Y5R0	10	0.06	5.0
FACM25BPV-392Y4R0	3.9	0.05	4.0	FACM31BPV-682Y6R0	6.8	0.04	6.0
FACM25BPV-332Y6R0	3.3	0.04	5.0	FACM31BPV-332Y8R0	3.3	0.025	8.0
FACM25BPV-222Y9R0	2.2	0.02	9.0	FACM31BPV-222Y12R0	2.2	0.010	12.0
FACM25BPV-102Y15R0	1.0	0.01	15.0	FACM31BPV-102Y20R0	1.0	0.006	20.0
FACM25BPV-681Y20R0	0.68	0.006	20.0				

TECHNICAL INFORMATION



DIMENSIONS:MM

Part number	A	B	C	D	E	F	G	Fig
FACM25BPV	30.5 Max	15.2±0.3	31.5 Max	20.3±0.5	10.2±0.5	3.0 Min	1.2 DIA	1 or 2
FACM31BPV	35.0 Max	20.3±0.3	33.5 Max	22.8±0.5	15.2±0.5	3.0 Min	1.2 DIA	1 or 2

CURRENT-COMPENSATED FRAME CORE DOUBLE CHOKES FACM36,42BPV SERIES



FEATURES:

- Rated voltage 250 VAC.
- Rated current 2.0A to 30A.
- Rated inductance 1.0mH to 100 mH.
- Turns ratio: N1:N2=1:1±2%.
- Hi-Pot: Pri-Sec: 1500VAC /5mA /2Seconds.
- Test Frequency Response: 10KHz, 100mV.
- Inductance tolerance: Min at 20°C.
- Operating temperature: -40°C to +105°C.
- All parts meet ROHS compliance.

PRODUCT IDENTIFICATION:

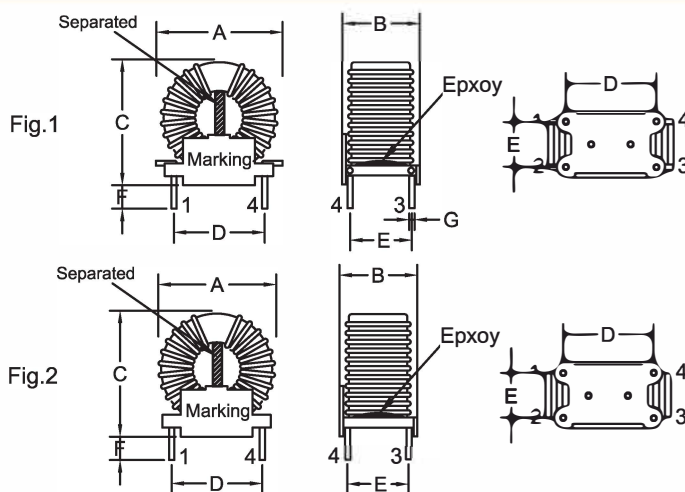
$\frac{CM}{a} \frac{36}{b} \frac{BPV}{c} \frac{333}{d} \frac{Y}{e} \frac{4R0}{f}$

- a: Common mode
- b: Size
- c: Vertical Install shape
- d: Inductance Value (101: 100uH; 102: 1000uH; 103: 10000uH)
- e: Inductance tolerance: minimum value
- f: Rated current (0R 2: 0.2A; 1R 2: 1.2A; 10R 2: 12A)

ELECTRICAL CHARACTERISTICS

Part Number	Inductance [mH]Min	D.C. Resistance [Ω] Max at 20°C	Rated current [A]	Part Number	Inductance [mH]Min	D.C. Resistance [Ω] Max at 20°C	Rated current [A]
FACM36BPV-333Y4R0	33	0.12	4.0	FACM42BPV-104Y2R0	100	0.50	2.0
FACM36BPV-223Y5R0	22	0.08	5.0	FACM42BPV-563Y4R0	56	0.20	4.0
FACM36BPV-153Y6R0	15	0.052	6.0	FACM42BPV-333Y7R0	33	0.10	7.0
FACM36BPV-103Y7R0	10	0.035	7.0	FACM42BPV-183Y10R0	18	0.05	10.0
FACM36BPV-682Y8R0	6.8	0.028	8.0	FACM42BPV-103Y15R0	10	0.03	15.0
FACM36BPV-472Y10R0	4.7	0.022	10.0	FACM42BPV-682Y17R0	6.8	0.02	17.0
FACM36BPV-332Y15R0	3.3	0.015	15.0	FACM42BPV-422Y20R0	4.2	0.015	20.0
FACM36BPV-222Y18R0	2.2	0.0085	18.0	FACM42BPV-302Y25R0	3.0	0.012	25.0
FACM36BPV-152Y25R0	1.5	0.005	25.0	FACM42BPV-222Y30R0	2.2	0.009	30.0
FACM36BPV-102Y30R0	1.0	0.0035	30.0				

TECHNICAL INFORMATION



DIMENSIONS:MM

Part number	A	B	C	D	E	F	G	Fig
FACM36BPV	44.7 Max	22.8±0.3	42.0 Max	30.5±0.5	17.8±0.5	3.0 Min	1.2 DIA	1 or 2
FACM42BPV	52.0 Max	27.8±0.3	58.0 Max	38.0±0.5	22.8±0.5	4.0 Min	1.2 DIA	1 or 2

CURRENT-COMPENSATED FRAME CORE DOUBLE CHOKES FACM2505,2510 BPH SERIES



FEATURES:

Rated voltage 250 VAC.
 Rated current 1.8A to 15A.
 Rated inductance 0.35mH to 15 mH.
 Turns ratio: N1:N2=1:1 ± 2%.
 Hi-Pot: Pri-Sec: 1500VAC/5mA/2Seconds.
 Test Frequency R response: 10KHz, 100mV.
 Inductance tolerance: Min in at 20°C.
 Operating temperature: -40°C to +105°C.
 All parts meet RO HS compliance.

PRODUCT IDENTIFICATION:

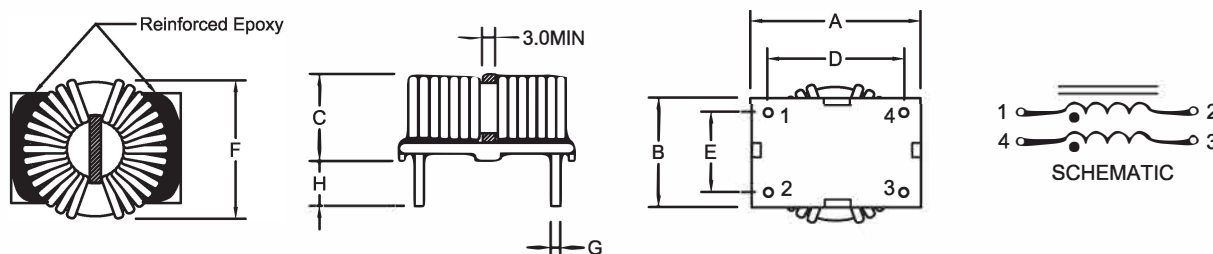
$$\frac{CM}{a} \frac{2505}{b} \frac{BPH}{c} \frac{103}{d} \frac{Y}{e} \frac{1R8}{f}$$

a: Common mode
 b: Size
 c: Horizontal Install shape
 d: Inductance Value [101:100uH;102:1000uH;103:10000uH]
 e: Inductance tolerance: minimum value
 f: Rated current [0R2:0.2A;1R2:1.2A;10R2:12A]

ELECTRICAL CHARACTERISTICS

Part Number	Inductance [mH]Min	D.C.R [Ω] Max at 20°C	Rated current [A]	Part Number	Inductance [mH]Min	D.C.R [Ω] Max at 20°C	Rated current [A]
FACM2505BPH-103Y1R8	10.0	0.15	1.8	FACM2510BPH-153Y2R5	15.0	0.15	2.5
FACM2505BPH-682Y2R5	6.8	0.10	2.5	FACM2510BPH-103Y3R5	10.0	0.08	3.5
FACM2505BPH-502Y3R5	5.0	0.06	3.5	FACM2510BPH-682Y4R5	6.8	0.06	4.5
FACM2505BPH-352Y4R5	3.5	0.04	4.5	FACM2510BPH-502Y6R0	5.0	0.04	6.0
FACM2505BPH-272Y6R0	2.7	0.03	6.0	FACM2510BPH-402Y7R0	4.0	0.03	7.0
FACM2505BPH-202Y7R0	2.0	0.02	7.0	FACM2510BPH-122Y8R0	1.2	0.015	8.0
FACM2505BPH-102Y7R0	1.0	0.015	7.0	FACM2510BPH-102Y10R0	1.0	0.010	10.0
FACM2505BPH-681Y8R0	0.68	0.010	8.0	FACM2510BPH-681Y15R0	0.68	0.007	15.0
FACM2505BPH-501Y10R0	0.50	0.008	10.0				
FACM2505BPH-351Y15R0	0.35	0.005	15.0				

TECHNICAL INFORMATION



DIMENSIONS:MM

Part number	A	B	C	D	E	F	G	H
FACM2505BPH	32.0±0.5	20.0±0.5	13.5 Max	22.5±0.5	15.0±0.5	27.5 Max		3.0 Min
FACM2510BPH	32.0±0.5	20.0±0.5	18.5 Max	22.5±0.5	15.0±0.5	27.5 Max		3.0 Min

CURRENT-COMPENSATED FRAME CORE DOUBLE CHOKES FACM2512,2515 BPH SERIES



FEATURES:

- Rated voltage 250 VAC.
- Rated current 2.5A to 15A.
- Rated inductance 0.82mH to 20 mH.
- Turns ratio: N1:N2=1:1 ±2%.
- Hi-Pot: Pri-Sec: 1500VAC /5mA /2Seconds.
- Test Frequency Response: 10KHz, 100mV.
- Inductance tolerance: Min at 20°C.
- Operating temperature: -40°C to +105°C.
- All parts meet ROHS compliance.

PRODUCT IDENTIFICATION:

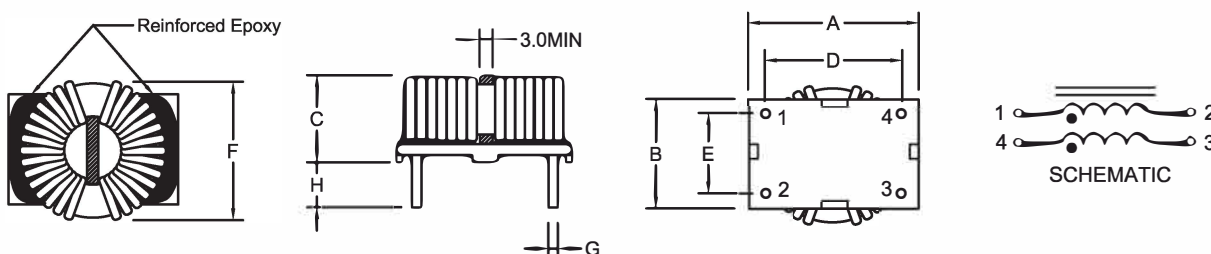
$\frac{CM}{a} \frac{2510}{b} \frac{BPH}{c} \frac{103}{d} \frac{Y}{e} \frac{4R5}{f}$

- a: Common mode
- b: Size
- c: Horizontal Install shape
- d: Inductance Value (101:100uH; 102:1000uH; 103:10000uH)
- e: Inductance tolerance: minimum value
- f: Rated current (0R2:0.2A; 1R2:1.2A; 10R2:12A)

ELECTRICAL CHARACTERISTICS

Part Number	Inductance (mH)Min	D.C.R (Ω) Max at 20°C	Rated current (A)	Part Number	Inductance (mH)Min	D.C.R (Ω) Max at 20°C	Rated current (A)
FACM2510BPH-203Y2R5	20.0	0.15	2.5	FACM2515BPH-153Y3R5	15.0	0.10	3.5
FACM2510BPH-123Y3R5	12.0	0.10	3.5	FACM2515BPH-103Y4R5	10.0	0.07	4.5
FACM2510BPH-103Y4R5	10.0	0.07	4.5	FACM2515BPH-802Y6R0	8.0	0.05	6.0
FACM2510BPH-682Y6R0	6.8	0.05	6.0	FACM2515BPH-602Y7R0	6.0	0.03	7.0
FACM2510BPH-502Y7R0	5.0	0.03	7.0	FACM2515BPH-202Y8R0	2.0	0.02	8.0
FACM2510BPH-152Y8R0	1.5	0.02	8.0	FACM2515BPH-152Y10R0	1.5	0.015	10.0
FACM2510BPH-122Y10R0	1.2	0.012	10.0	FACM2515BPH-102Y15R0	1.0	0.010	15.0
FACM2510BPH-821Y15R0	0.82	0.008	15.0				

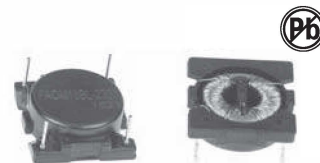
TECHNICAL INFORMATION



DIMENSIONS:MM

Part number	A	B	C	D	E	F	G	H
FACM2505BPH	32.0±0.5	20.0±0.5	13.5 Max	22.5±0.5	15.0±0.5	27.5 Max		3.0 Min
FACM2510BPH	32.0±0.5	20.0±0.5	18.5 Max	22.5±0.5	15.0±0.5	27.5 Max		3.0 Min

CURRENT-COMPENSATED FRAME CORE DOUBLE CHOKES FACM18,22BL SERIES



FEATURES:

Rated voltage 250 VAC.
 Rated current 0.8A to 5.0A.
 Rated inductance 0.68mH to 22 mH.
 Turns ratio: N1:N2=1:1±2%.
 Hi-Pot: Pri-Sec:1500VAC/5mA/2Seconds.
 Test Frequency Response:10KHz,100mV.
 Inductance tolerance: Min at 20°C.
 Operating temperature: -40°C to +105°C.
 All parts meet RO HS compliance.

PRODUCT IDENTIFICATION:

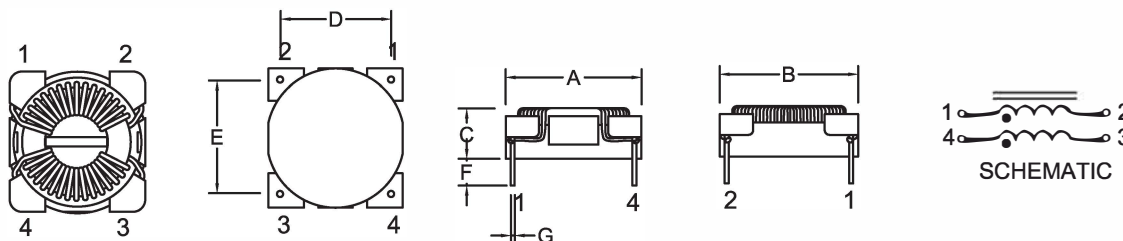
$$\frac{CM}{a} \frac{18}{b} \frac{BL}{c} \frac{103}{d} \frac{Y}{e} \frac{1R2}{f}$$

a: Common mode
 b: Size
 c: Horizontal Install shape
 d: Inductance Value [101:100uH;102;1000uH;103:10000uH]
 e: Inductance tolerance: minimum value
 f: Rated current [OR 2:0.2A;1R2;1.2A;10R2:12A]

ELECTRICAL CHARACTERISTICS

Part Number	Inductance (mH)Min	D.C.R (Ω) Max at 20°C	Rated current (A)	Part Number	Inductance (mH)Min	D.C.R (Ω) Max at 20°C	Rated current (A)
FACM18BL-223Y0R8	22	0.35	0.8	FACM22BL-223Y1R5	22	0.25	1.5
FACM18BL-103Y1R2	10	0.20	1.2	FACM22BL-123Y1R8	12	0.20	1.8
FACM18BL-802Y1R5	8.2	0.13	1.5	FACM22BL-103Y2R0	10	0.15	2.0
FACM18BL-562Y1R8	5.6	0.10	1.8	FACM22BL-682Y2R5	6.8	0.08	2.5
FACM18BL-392Y2R5	3.9	0.06	2.5	FACM22BL-182Y3R5	1.8	0.03	3.5
FACM18BL-102Y3R5	1.0	0.03	3.5	FACM22BL-122Y4R5	1.2	0.03	4.0
FACM18BL-681Y4R5	0.68	0.02	4.5	FACM22BL-681Y5R0	0.68	0.015	5.0
FACM18BL-471Y5R0	0.47	0.01	5.0				

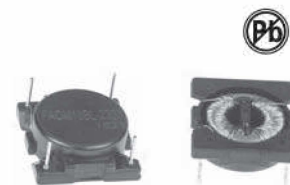
TECHNICAL INFORMATION



DIMENSIONS:MM

Part number	A	B	C	D	E	F	G
FACM18BL	26.0±0.5	25.0±0.5	10.5 Max	22.5±0.5	20.0±0.5	3.5 Typ	0.80±0.1
FACM22BL	27.0±0.5	27.0±0.5	10.5 Max	20.5±0.5	22.5±0.5	3.5 Typ	1.00±0.1

CURRENT-COMPENSATED FRAME CORE DOUBLE CHOKES FACM25,28BL SERIES



FEATURES:

Rated voltage 250 VAC.
 Rated current 1.0A to 8.0A.
 Rated inductance 1.0mH to 33 mH.
 Turns ratio: N1:N2=1:1 ± 2%.
 Hi-Pot: Pri-Sec: 1500VAC/5mA/2Seconds.
 Test Frequency Response: 10KHz, 100mV.
 Inductance tolerance: M in at 20°C.
 Operating temperature: -40°C to +105°C.
 All parts meet ROHS compliance.

PRODUCT IDENTIFICATION:

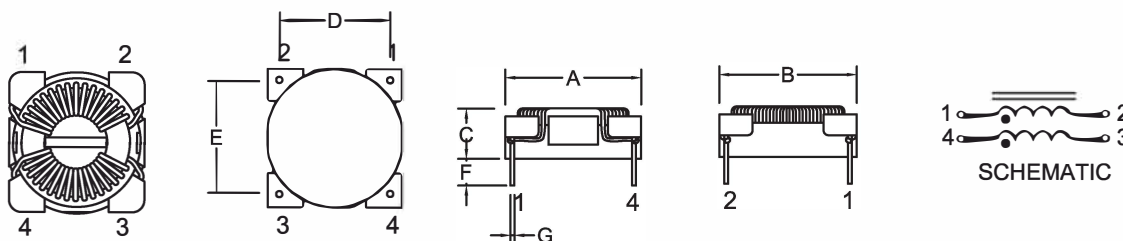
$$\frac{CM}{a} \frac{25}{b} \frac{BL}{c} \frac{103}{d} \frac{Y}{e} \frac{1R5}{f}$$

a: Common mode
 b: Size
 c: Horizontal Install shape
 d: Inductance Value [101:100uH; 102:1000uH; 103:10000uH]
 e: Inductance tolerance: minimum value
 f: Rated current [0R2:0.2A; 1R2; 1.2A; 10R2:12A]

ELECTRICAL CHARACTERISTICS

Part Number	Inductance (mH)Min	D.C.R (Ω) Max at 20°C	Rated current (A)	Part Number	Inductance (mH)Min	D.C.R (Ω) Max at 20°C	Rated current (A)
FACM25BL-203Y1R0	20	0.30	1.0	FACM28BL-333Y2R0	33	0.25	2.0
FACM25BL-153Y1R2	15	0.25	1.2	FACM28BL-223Y2R5	22	0.15	2.5
FACM25BL-103Y1R5	10	0.15	1.5	FACM28BL-103Y3R0	10	0.08	3.0
FACM25BL-682Y1R8	6.8	0.12	2.0	FACM28BL-272Y4R0	2.7	0.03	4.0
FACM25BL-252Y2R0	2.5	0.07	2.0	FACM28BL-152Y6R0	1.5	0.02	6.0
FACM25BL-202Y3R0	2.0	0.05	3.0	FACM28BL-102Y8R0	1.0	0.01	8.0
FACM25BL-152Y4R0	1.5	0.03	4.0				
FACM25BL-122Y5R0	1.2	0.02	5.0				
FACM25BL-102Y6R0	1.0	0.015	6.0				

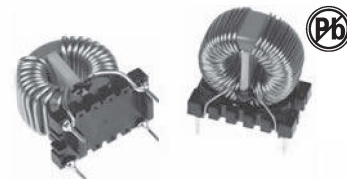
TECHNICAL INFORMATION



DIMENSIONS:MM

Part number	A	B	C	D	E	F	G
FACM25BL	31.4±0.5	31.4±0.5	9.5 Max	26.8±0.5	26.8±0.5	4.0 Typ	1.00±0.1
FACM28BL	39.5±0.5	39.5±0.5	12.5 Max	33.5±0.5	33.5±0.5	4.0 Typ	1.00±0.1

CURRENT-COMPENSATED FRAME CORE DOUBLE CHOKES FACM14,20 BV SERIES



FEATURES

- Rated voltage 250 VAC.
- Rated current 0.5A to 15A.
- Rated inductance 1.0mH to 20 mH.
- Turns ratio: N1:N2=1:1 ± 2%.
- Hi-Pot: Pri-Sec: 1500VAC / 5mA / 2Seconds.
- Test Frequency Response: 10KHz, 100mV.
- Inductance tolerance: Min at 20°C.
- Operating temperature: -40°C to +105°C.
- All parts meet ROHS compliance.

PRODUCT IDENTIFICATION

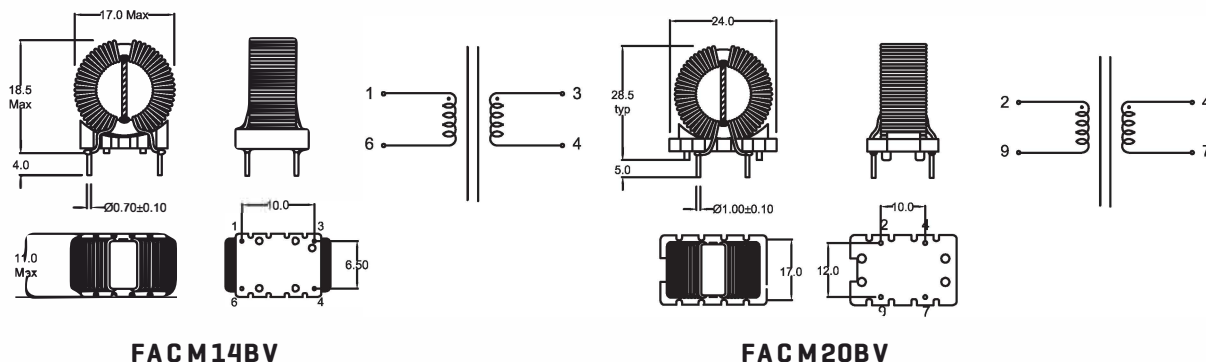
CM 14 BV 103 Y OR7
a b c d e f

- a: Common mode
- b: Size
- c: Vertical Install shape
- d: Inductance Value [101: 100uH; 102: 1000uH; 103: 10000uH]
- e: Inductance tolerance: minimum value
- f: Rated current [OR2: 0.2A; 1R2: 1.2A; 10R2: 12A]

ELECTRICAL CHARACTERISTICS

Part Number	Inductance [mH]Min	D.C.R [Ω] Max at 20°C	Rated current [A]	Part Number	Inductance [mH]Min	D.C.R [Ω] Max at 20°C	Rated current [A]
FACM14BV-153YOR5	15	0.50	0.5	FACM20BV-203Y1R2	20	0.25	1.2
FACM14BV-123YOR6	12	0.40	0.6	FACM20BV-153Y1R5	15	0.17	1.5
FACM14BV-103YOR7	10	0.30	0.7	FACM20BV-103Y2R0	10	0.13	2.0
FACM14BV-822Y1R0	8.2	0.20	1.0	FACM20BV-822Y2R5	8.2	0.10	2.5
FACM14BV-562Y1R3	5.6	0.15	1.3	FACM20BV-682Y3R0	6.8	0.08	3.0
FACM14BV-392Y1R5	3.9	0.10	1.5	FACM20BV-562Y3R5	5.6	0.06	3.5
FACM14BV-332Y2R0	3.3	0.08	2.0	FACM20BV-472Y4R0	4.7	0.05	4.0
FACM14BV-272Y2R5	2.7	0.06	2.5	FACM20BV-392Y5R0	3.9	0.04	5.0
FACM14BV-202Y3R0	2.0	0.04	3.0	FACM20BV-272Y6R5	2.7	0.03	6.5
FACM14BV-152Y3R5	1.5	0.03	3.5	FACM20BV-222Y8R0	2.2	0.02	8.0
FACM14BV-102Y4R0	1.0	0.02	4.0	FACM20BV-182Y10R0	1.8	0.015	10.0
				FACM20BV-152Y12R0	1.5	0.010	12.0
				FACM20BV-102Y15R0	1.0	0.007	15.0

TECHNICAL INFORMATION

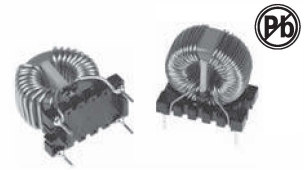


FACM14BV

FACM20BV

DIMENSIONS:MM Tolerance: .X ±0.50 .XX ±0.25

CURRENT-COMPENSATED FRAME CORE DOUBLE CHOKES FACM25,26 BV SERIES



FEATURES

- Rated voltage 250 VAC.
- Rated current 2.0A to 32A.
- Rated inductance 0.9mH to 200 mH.
- Turns ratio: N1:N2=1:1±2%.
- Hi-Pot: Pri-Sec:1500VAC /5mA /2Seconds.
- Test Frequency Response:10KHz,100mV.
- Inductance tolerance: Min and +50%/-30% at 20°C .
- Operating temperature: -40°C to +105°C .
- All parts meet ROHS compliance.

PRODUCT IDENTIFICATION

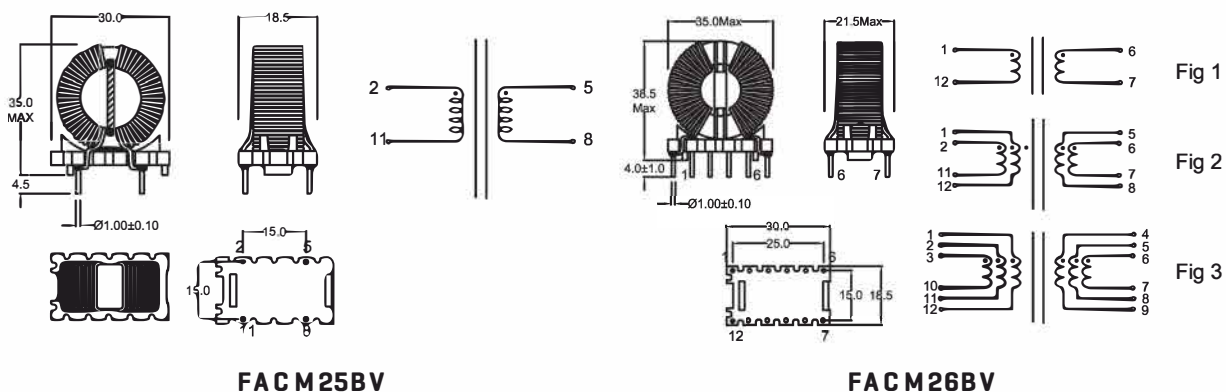
CM 25 BV 103 Y 4R0
a b c d e f

- a: Common mode
- b: Size
- c: Vertical Install shape
- d: Inductance Value [101:100uH ;102:1000uH ;103:10000uH]
- e: Inductance tolerance: minimum value and +50%/-30%
- f: Rated current [0R2:0.2A ;1R2:1.2A ;10R2:12A]

ELECTRICAL CHARACTERISTICS

Part Number	Inductance (mH)Min	D.C.R (Ω) Max at 20°C	Rated current (A)	Part Number	Inductance (mH) +50%/-30%	D.C.R (mΩ) Max at 20°C	Rated current (A)
FACM25BV-223Y2R0	22	0.20	2.0	FACM26BV-204Y2R0	200	250	2.0
FACM25BV-183Y3R0	18	0.13	3.0	FACM26BV-154Y2R5	150	200	2.5
FACM25BV-153Y3R5	15	0.10	3.5	FACM26BV-104Y3R0	100	120	3.0
FACM25BV-103Y4R0	10	0.08	4.0	FACM26BV-903Y3R5	90	110	3.5
FACM25BV-822Y5R0	8.2	0.06	5.0	FACM26BV-683Y4R0	68	85	4.0
FACM25BV-562Y6R5	5.6	0.04	6.5	FACM26BV-473Y5R0	47	60	5.0
FACM25BV-472Y8R0	4.7	0.03	8.0	FACM26BV-303Y7R0	30	30	7.0
FACM25BV-392Y10R0	3.9	0.02	10.0	FACM26BV-203Y8R5	20	25	8.5
FACM25BV-272Y15R0	2.7	0.015	15.0	FACM26BV-123Y10R0	12	15	10
FACM25BV-102Y20R0	1.0	0.010	20.0	FACM26BV-103Y12R0	10	10	12
				FACM26BV-682Y15R0	6.8	6	15
				FACM26BV-452Y18R0	4.5	4.2	18
				FACM26BV-302Y23R0	3.0	3.0	23
				FACM26BV-252Y25R0	2.5	2.2	25
				FACM26BV-901Y32R0	0.9	1.1	32

TECHNICAL INFORMATION



FACM25BV

FACM26BV

DIMENSIONS:MM Tolerance: .X ±0.50 .XX ±0.25