

# CURRENT-COMPENSATED FRAME CORE DOUBLE CHOKES FACM12V1,V2-S SERIES



## FEATURES

- Rated voltage 250VAC.
- Rated current 0.3A to 6A.
- Rated inductance 0.2mH to 47 mH.
- Turns ratio: N1:N2=1:1 ± 2%.
- Hi-Pot: Pri-Sec: 1500VAC / 5mA / 2Seconds.
- Test Frequency Response: 10KHz, 100mV.
- Inductance tolerance: + 50/-30% at 20°C.
- Operating temperature: -40°C to +105°C.
- All parts meet ROHS compliance.

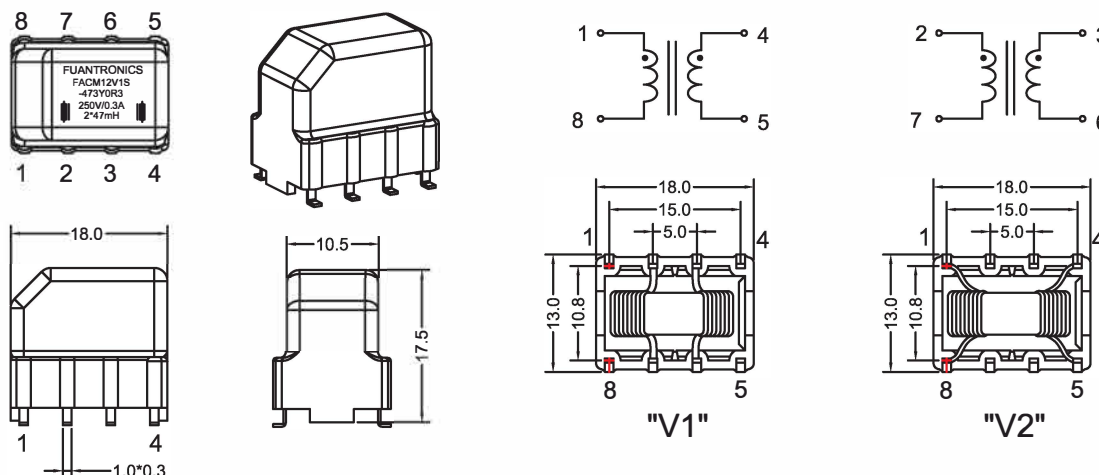
## PRODUCT IDENTIFICATION

- CM 12 V1 S 473 Y OR3 E  
a b c d e f g h
- a: Common mode
  - b: Size
  - c: Vertical Install shape
  - d: SMD Type
  - e: Inductance Value [101:100uH; 102:1000uH; 103:10000uH]
  - f: Inductance tolerance: + 50/-30%
  - g: Rated current [OR2:0.2A; 1R2:1.2A; 1OR2:12A]
  - h: Epoxy Encapsulation

## ELECTRICAL CHARACTERISTICS

Part Number		Inductance [mH] +50/-30%	Leakage inductance [uH]typ	D.C. Resistance [mΩ] Typ at 20°C	Rated current [mA]
FACM12V1S-473YOR3	FACM12V2S-473YOR3	47	500	2200	300
FACM12V1S-393YOR4	FACM12V2S-393YOR4	39	450	2000	400
FACM12V1S-273YOR5	FACM12V2S-273YOR5	27	290	1400	500
FACM12V1S-183YOR5	FACM12V2S-183YOR5	18	250	1100	500
FACM12V1S-153YOR6	FACM12V2S-153YOR6	15	170	700	600
FACM12V1S-103YOR7	FACM12V2S-103YOR7	10	110	550	700
FACM12V1S-682Y1R2	FACM12V2S-682Y1R2	6.8	80	280	1200
FACM12V1S-332Y1R5	FACM12V2S-332Y1R5	3.3	37	180	1500
FACM12V1S-102Y2R0	FACM12V2S-102Y2R0	1.0	13	80	2000
FACM12V1S-601Y2R5	FACM12V2S-601Y2R5	0.6	8	60	2500
FACM12V1S-401Y3R6	FACM12V2S-401Y3R6	0.4	6	35	3600
FACM12V1S-301Y4R0	FACM12V2S-301Y4R0	0.3	4	30	4000
FACM12V1S-201Y6R0	FACM12V2S-201Y6R0	0.2	2.5	15	6000

## TECHNICAL INFORMATION



**DIMENSIONS:MM** Tolerance: .X ±0.50 .XX ±0.25