

CURRENT-COMPENSATED FRAME CORE DOUBLE CHOKES FACM12V1,V2,H SERIES



FEATURES

- Rated voltage 250 VAC.
- Rated current 0.3A to 6A.
- Rated inductance 0.2mH to 47 mH.
- Turns ratio: N1:N2=1:1±2%.
- Hi-Pot: Pri-Sec: 1500VAC/5mA/2Seconds.
- Test Frequency Response: 10KHz, 100mV.
- Inductance tolerance: +50/-30% at 20°C.
- Operating temperature: -40°C to +105°C.
- All parts meet ROHS compliance.

PRODUCT IDENTIFICATION

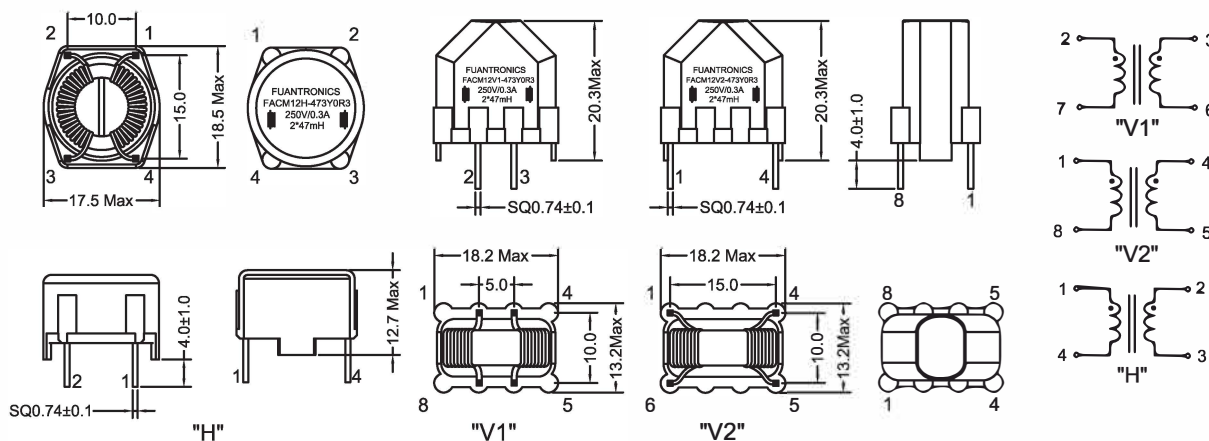
CM 12 V1 473 Y OR3 E
a b c d e f g

- a: Common mode
- b: Size
- c: V Vertical Install shape, H Horizontal Install shape
- d: Inductance Value [101:100uH; 102:1000uH; 103:10000uH]
- e: Inductance tolerance: +50/-30%
- f: Rated current [OR2:0.2A; 1R2:1.2A; 10R2:12A]
- g: Epoxy Encapsulation

ELECTRICAL CHARACTERISTICS

| Part Number | | | Inductance (mH) +50/-30% | Leakage inductance (uH) typ | D.C. Resistance (mΩ) Typ at 20°C | Rated current (mA) |
|------------------|------------------|-----------------|--------------------------|-----------------------------|----------------------------------|--------------------|
| FACM12V1-473YOR3 | FACM12V2-473YOR3 | FACM12H-473YOR3 | 47 | 500 | 2200 | 300 |
| FACM12V1-393YOR4 | FACM12V2-393YOR4 | FACM12H-393YOR4 | 39 | 450 | 2000 | 400 |
| FACM12V1-273YOR5 | FACM12V2-273YOR5 | FACM12H-273YOR5 | 27 | 290 | 1400 | 500 |
| FACM12V1-183YOR5 | FACM12V2-183YOR5 | FACM12H-183YOR5 | 18 | 250 | 1100 | 500 |
| FACM12V1-153YOR6 | FACM12V2-153YOR6 | FACM12H-153YOR6 | 15 | 170 | 700 | 600 |
| FACM12V1-103YOR7 | FACM12V2-103YOR7 | FACM12H-103YOR7 | 10 | 110 | 550 | 700 |
| FACM12V1-682Y1R2 | FACM12V2-682Y1R2 | FACM12H-682Y1R2 | 6.8 | 80 | 280 | 1200 |
| FACM12V1-332Y1R5 | FACM12V2-332Y1R5 | FACM12H-332Y1R5 | 3.3 | 37 | 180 | 1500 |
| FACM12V1-102Y2R0 | FACM12V2-102Y2R0 | FACM12H-102Y2R0 | 1.0 | 13 | 80 | 2000 |
| FACM12V1-601Y2R5 | FACM12V2-601Y2R5 | FACM12H-601Y2R5 | 0.6 | 8 | 60 | 2500 |
| FACM12V1-401Y3R6 | FACM12V2-401Y3R6 | FACM12H-401Y3R6 | 0.4 | 6 | 35 | 3600 |
| FACM12V1-301Y4R0 | FACM12V2-301Y4R0 | FACM12H-301Y4R0 | 0.3 | 4 | 30 | 4000 |
| FACM12V1-201Y6R0 | FACM12V2-201Y6R0 | FACM12H-201Y6R0 | 0.2 | 2.5 | 15 | 6000 |

TECHNICAL INFORMATION



DIMENSIONS:MM Tolerance: .X ±0.50 .XX ±0.25

CURRENT-COMPENSATED FRAME CORE DOUBLE CHOKES FACM16V1,V2,H SERIES



FEATURES

Rated voltage 250 VAC.
 Rated current 0.3A to 3A.
 Rated inductance 1.2mH to 68 mH.
 Turns ratio:N1:N2=1:1±2%.
 Hi-Pot: Pri-Sec:1500VAC/5mA/2Seconds.
 Test Frequency Response:10KHz,100mV.
 Inductance tolerance: +50/-30% at 20°C.
 Operating temperature:-40°C to +105°C.
 All parts meet ROHS compliance.

PRODUCT IDENTIFICATION

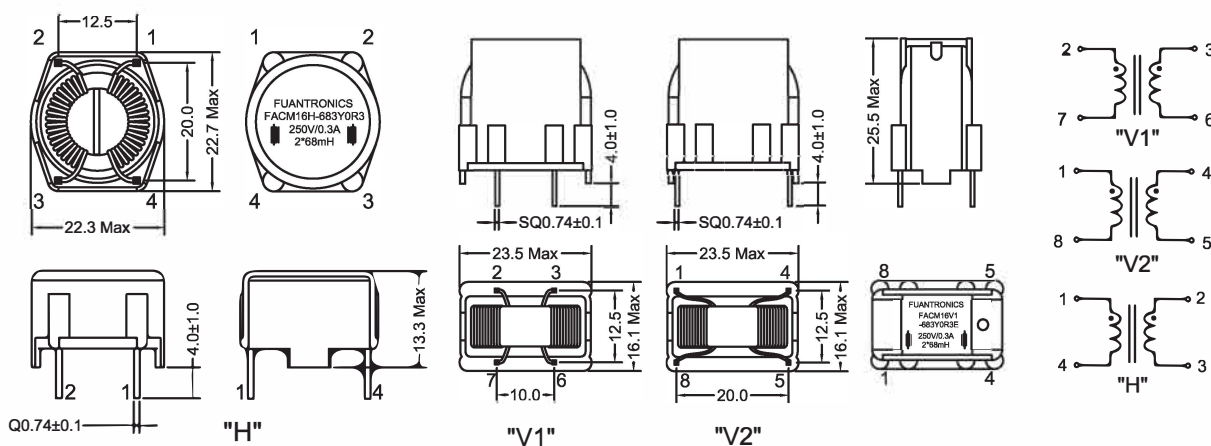
$\frac{CM}{a} \frac{16}{b} \frac{V1}{c} \frac{473}{d} \frac{Y}{e} \frac{OR5}{f} \frac{E}{g}$

a:Common mode
 b:Size
 c:Vertical Install shape, Horizontal Install shape
 d:Inductance Value[101:100uH;102:1000uH;103:10000uH]
 e:Inductance tolerance: +50/-30%
 f:Rated current[OR2:0.2A;1R2:1.2A;1OR2:12A]
 g:Epoxy Encapsulation

ELECTRICAL CHARACTERISTICS

| Part Number | | | Inductance (mH) +50/-30% | Leakage inductance (uH)typ | D.C. Resistance (mΩ) Typ at 20°C | Rated current (mA) |
|------------------|------------------|-----------------|--------------------------|----------------------------|----------------------------------|--------------------|
| FACM16V1-683YOR3 | FACM16V2-683YOR3 | FACM16H-683YOR3 | 68 | 800 | 2500 | 300 |
| FACM16V1-563YOR5 | FACM16V2-563YOR5 | FACM16H-563YOR5 | 56 | 600 | 2000 | 500 |
| FACM16V1-473YOR5 | FACM16V2-473YOR5 | FACM16H-473YOR5 | 47 | 550 | 1500 | 500 |
| FACM16V1-393YOR5 | FACM16V2-393YOR5 | FACM16H-393YOR5 | 39 | 400 | 1120 | 500 |
| FACM16V1-273YOR8 | FACM16V2-273YOR8 | FACM16H-273YOR8 | 27 | 270 | 600 | 800 |
| FACM16V1-153Y1R0 | FACM16V2-153Y1R0 | FACM16H-153Y1R0 | 15 | 170 | 540 | 1000 |
| FACM16V1-103Y1R3 | FACM16V2-103Y1R3 | FACM16H-103Y1R3 | 10 | 90 | 240 | 1300 |
| FACM16V1-682Y1R5 | FACM16V2-682Y1R5 | FACM16H-682Y1R5 | 6.8 | 90 | 230 | 1500 |
| FACM16V1-422Y1R7 | FACM16V2-422Y1R7 | FACM16H-422Y1R7 | 4.2 | 45 | 175 | 1700 |
| FACM16V1-402Y2R0 | FACM16V2-402Y2R0 | FACM16H-402Y2R0 | 4.0 | 45 | 133 | 2000 |
| FACM16V1-332Y2R0 | FACM16V2-332Y2R0 | FACM16H-332Y2R0 | 3.3 | 35 | 130 | 2000 |
| FACM16V1-222Y2R0 | FACM16V2-222Y2R0 | FACM16H-222Y2R0 | 2.2 | 30 | 130 | 2000 |
| FACM16V1-172Y2R5 | FACM16V2-172Y2R5 | FACM16H-172Y2R5 | 1.7 | 20 | 80 | 2500 |
| FACM16V1-122Y3R0 | FACM16V2-122Y3R0 | FACM16H-122Y3R0 | 1.2 | 17 | 56 | 3000 |

TECHNICAL INFORMATION



DIMENSIONS:MM Tolerance: .X ±0.50 .XX ±0.25

CURRENT-COMPENSATED FRAME CORE DOUBLE CHOKES FACM22V1,V2-S SERIES



FEATURES

- Rated voltage 250 VAC.
- Rated current 0.5A to 8A.
- Rated inductance 0.45mH to 56 mH.
- Turns ratio: N1:N2=1:1±2%.
- Hi-Pot: Pri-Sec: 1500VAC /5mA /2Seconds.
- Test Frequency Response: 10KHz, 100mV.
- Inductance tolerance: +50/-30% at 20°C.
- Operating temperature: -40°C to +105°C.
- All parts meet ROHS compliance.

PRODUCT IDENTIFICATION

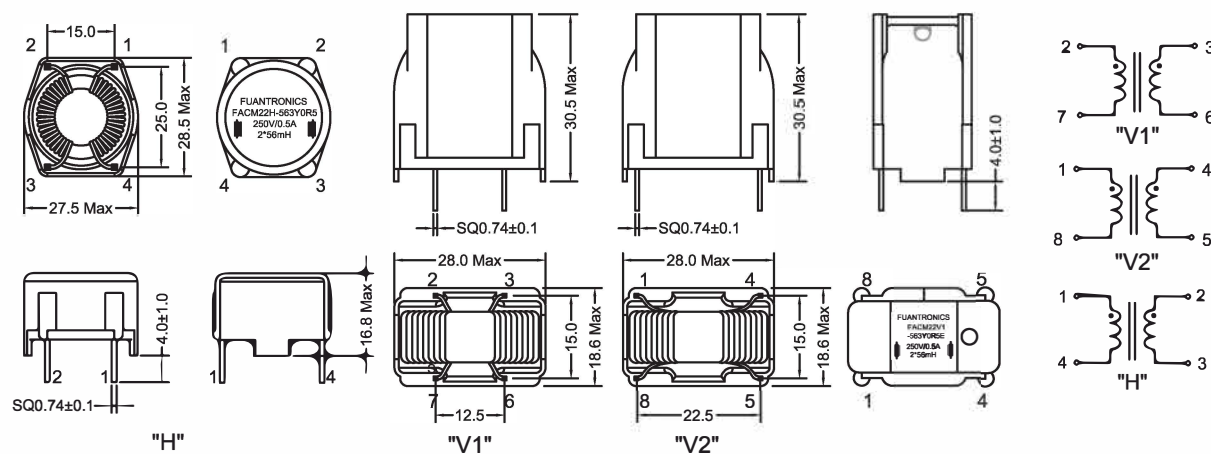
CM 22 V1 473 Y OR6 E
a b c d e f g

- a: Common mode
- b: Size
- c: V Vertical Install shape, H Horizontal Install shape
- d: Inductance Value [101:100uH; 102:1000uH; 103:10000uH]
- e: Inductance tolerance: +50/-30%
- f: Rated current [OR2:0.2A; 1R2:1.2A; 10R2:12A]
- g: Epoxy Encapsulation

ELECTRICAL CHARACTERISTICS

| Part Number | | | Inductance (mH) +50/-30% | Leakage inductance (uH) typ | D.C. Resistance (mΩ) Typ at 20°C | Rated current (mA) |
|------------------|------------------|-----------------|--------------------------|-----------------------------|----------------------------------|--------------------|
| FACM22V1-563YOR5 | FACM22V2-563YOR5 | FACM22H-563YOR5 | 56 | 680 | 1800 | 500 |
| FACM22V1-473YOR6 | FACM22V2-473YOR6 | FACM22H-473YOR6 | 47 | 580 | 1450 | 600 |
| FACM22V1-393Y1R0 | FACM22V2-393Y1R0 | FACM22H-393Y1R0 | 39 | 430 | 750 | 1000 |
| FACM22V1-273Y1R4 | FACM22V2-273Y1R4 | FACM22H-273Y1R4 | 27 | 270 | 440 | 1400 |
| FACM22V1-103Y1R8 | FACM22V2-273Y1R4 | FACM22H-273Y1R4 | 10 | 130 | 240 | 1800 |
| FACM22V1-562Y2R0 | FACM22V2-562Y2R0 | FACM22H-562Y2R0 | 5.6 | 70 | 160 | 2000 |
| FACM22V1-272Y4R0 | FACM22V2-272Y4R0 | FACM22H-272Y4R0 | 2.7 | 30 | 60 | 4000 |
| FACM22V1-102Y6R0 | FACM22V2-102Y6R0 | FACM22H-102Y6R0 | 1.0 | 12 | 22 | 6000 |
| FACM22V1-451Y8R0 | FACM22V2-451Y8R0 | FACM22H-451Y8R0 | 0.45 | 5 | 11 | 8000 |

TECHNICAL INFORMATION



DIMENSIONS:MM Tolerance: .X ±0.50 .XX ±0.25