

THROUGH-HOLE AXIAL CONFORMAL COATED INDUCTORS FALGA0204 SERIES



FEATURES:

Magnetic Core
Wire-wound construction
Heat resistant epoxy resin
High reliability - Ideal for automatic insertion
Small size - Low Cost

OPTIONS:

Packaging: Tape & Reel is Standard [Qty: 5000 pcs]
Bulk packaging available for smaller quantities
Tolerance:10% is standard tighter tolerances available.

COMMON APPLICATIONS:

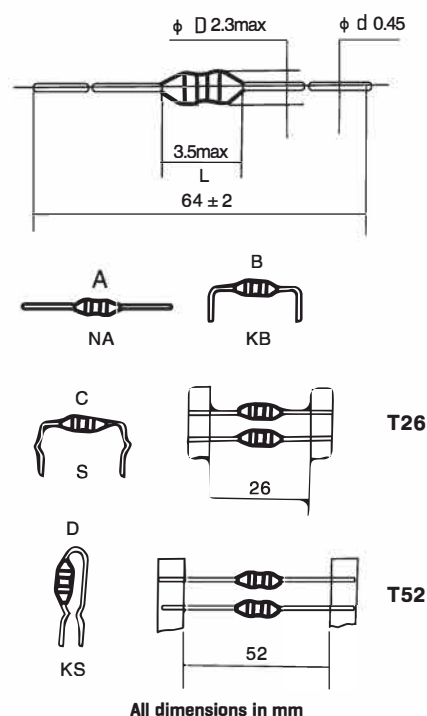
VCRs
Automotive Systems
Computer Peripheral Equipment
Televisions
Electronic Games
Mobile Communications Equipment
General Electronic Applications

STANDARD SPECIFICATIONS

Part Number	L [μH]	Tol ±%	Q min	L Test Freq [MHz]	S.R.F [MHz]	RDC (Ω) Max	IDC [mA]
FALGA0204-R22M	0.22	20	35	25.2	150	0.40	400
FALGA0204-R27M	0.27	20	35	25.2	150	0.43	380
FALGA0204-R33M	0.33	20	35	25.2	150	0.48	370
FALGA0204-R39M	0.39	20	35	25.2	150	0.51	350
FALGA0204-R47M	0.47	20	35	25.2	150	0.56	330
FALGA0204-R56M	0.56	20	35	25.2	150	0.61	320
FALGA0204-R68M	0.68	20	35	25.2	150	0.67	310
FALGA0204-R82M	0.82	20	35	25.2	150	0.74	290
FALGA0204-1R0M	1.0	20	35	25.2	150	0.80	270
FALGA0204-1R2M	1.2	20	40	7.96	110	0.90	260
FALGA0204-1R5M	1.5	20	40	7.96	80	1.0	250
FALGA0204-1R8M	1.8	20	40	7.96	60	1.1	240
FALGA0204-2R2M	2.2	20	40	7.96	45	1.2	230
FALGA0204-2R7M	2.7	20	40	7.96	40	1.3	220
FALGA0204-3R3K	3.3	10	40	7.96	38	1.4	210
FALGA0204-3R9K	3.9	10	40	7.96	35	1.5	200
FALGA0204-4R7K	4.7	10	40	7.96	32	1.6	190
FALGA0204-5R6K	5.6	10	40	7.96	30	1.7	180
FALGA0204-6R8K	6.8	10	40	7.96	28	1.9	175
FALGA0204-8R2K	8.2	10	40	7.96	26	2.0	165
FALGA0204-100K	10	10	40	7.96	24	2.2	160
FALGA0204-120K	12	10	40	25.2	22	2.5	150
FALGA0204-150K	15	10	40	25.2	20	2.8	145
FALGA0204-180K	18	10	40	25.2	18	3.1	140
FALGA0204-220K	22	10	40	25.2	17	3.4	130
FALGA0204-270K	27	10	40	25.2	16	4.3	80
FALGA0204-330K	33	10	40	25.2	14	4.7	76
FALGA0204-390K	39	10	40	25.2	13	5.2	74
FALGA0204-470K	47	10	40	25.2	12	5.8	70
FALGA0204-560K	56	10	40	25.2	11	6.4	68
FALGA0204-680K	68	10	40	25.2	10	7.2	64
FALGA0204-820K	82	10	40	25.2	9.5	11	46
FALGA0204-101K	100	10	40	25.2	9	12	44
FALGA0204-121K	120	10	40	0.796	8	13	42
FALGA0204-151K	150	10	40	0.796	6	16	39
FALGA0204-181K	180	10	40	0.796	5.5	18	37
FALGA0204-221K	220	10	40	0.796	5	20	35
FALGA0204-271K	220	10	40	0.796	4.6	26	28
FALGA0204-331K	220	10	40	0.796	4.2	30	26
FALGA0204-391K	220	10	40	0.796	3.8	34	25
FALGA0204-471K	220	10	40	0.796	3.5	38	24

Note:1. K=±10%,M=±20%

PHYSICAL CHARACTERISTICS



All dimensions in mm

TECHNICAL INFORMATION

1- Ordering Cod
 FALGA 04 10 KB - 101 K T52
 (1) (2) (3) (4) (5) (6) (7)

[1] Type
 [2] Outside
 [3] Body Length
 [4] Formed Type
 [5] Nominal Inductance
 [6] Inductance Tolerance
 [7] Tape Type

Testing:[Equivalent acceptable
 Inductance-Hp 4285A
 RDC:QuadTech 1880 Milliohmmer
 Q-HP 4342A
 SRF-HP 4191A

IDC Max:The maximum DC value having inductance decrease within 10% and temperature increase within 20°C by the application of DC Bias
 Operating temperature:-25°C to +105°C
 Storage temperature:-40°C to +85
 Solderability:Temperature @ 230°C ±5°C for 2 seconds
 Marking:EIA 4 band color code
 Note: All specifications subject to change without notice.

THROUGH-HOLE AXIAL CONFORMAL COATED INDUCTORS FALGA0305 SERIES



FEATURES:

Ferrite Core
Wire-wound construction
Heat resistant epoxy resin
High reliability- Ideal for automatic insertion
Small size、Low Cost

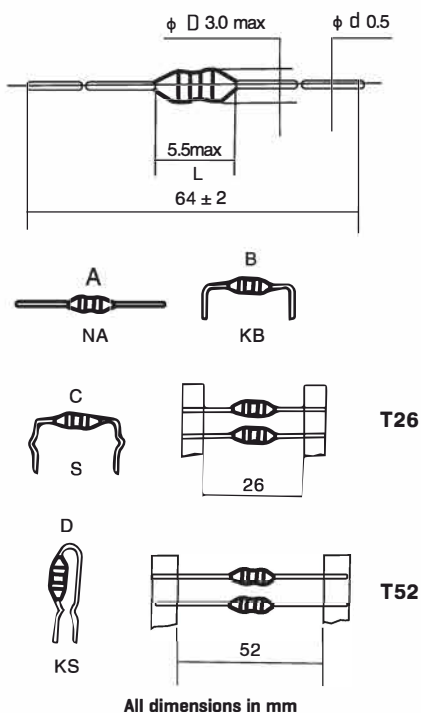
OPTIONS:

Packaging: Tape & Reel is Standard
[Qty: 1000 pcs]
Bulk packaging available for smaller quantities
Tolerance:10% is standard
tighter tolerances available.

COMMON APPLICATIONS:

VCRs, PDP, LCD, TV set
Automotive Systems
Computer Peripheral Equipment
GPS, DC/DC converter, XDSL Modem
Electronic Games
Mobile Communications Equipment
General Electronic Applications

PHYSICAL CHARACTERISTICS



STANDARD SPECIFICATIONS

Part Number	L [μH]	Tol ± %	Q min	L Test Freq [MHz]	S.R.F [MHz]	RDC (Ω) Max	IDC [mA]
FALGA0305-R22M	0.22	20	35	25.2	150	0.40	400
FALGA0305-R27M	0.27	20	35	25.2	150	0.43	380
FALGA0305-R33M	0.33	20	35	25.2	150	0.48	370
FALGA0305-R39M	0.39	20	35	25.2	150	0.51	350
FALGA0305-R47M	0.47	20	35	25.2	150	0.56	330
FALGA0305-R56M	0.56	20	40	25.2	150	0.61	320
FALGA0305-R68M	0.68	20	40	25.2	150	0.67	310
FALGA0305-R82M	0.82	20	40	25.2	150	0.74	290
FALGA0305-1R0M	1.0	20	40	25.2	150	0.80	270
FALGA0305-1R2M	1.2	20	50	7.96	144	0.90	260
FALGA0305-1R5M	1.5	20	50	7.96	131	1.0	250
FALGA0305-1R8M	1.8	20	50	7.96	121	1.1	240
FALGA0305-2R2M	2.2	20	50	7.96	110	1.2	230
FALGA0305-2R7M	2.7	20	50	7.96	100	1.3	220
FALGA0305-3R3K	3.3	10	50	7.96	90	1.4	210
FALGA0305-3R9K	3.9	10	50	7.96	60	1.6	200
FALGA0305-4R7K	4.7	10	50	7.96	50	1.7	190
FALGA0305-5R6K	5.6	10	50	7.96	42	1.9	180
FALGA0305-6R8K	6.8	10	50	7.96	34	2.0	175
FALGA0305-8R2K	8.2	10	50	7.96	25	2.2	165
FALGA0305-100K	10	10	50	7.96	21	2.5	160
FALGA0305-120K	12	10	50	25.2	19	2.5	150
FALGA0305-150K	15	10	50	25.2	17	2.8	145
FALGA0305-180K	18	10	50	25.2	13	3.1	140
FALGA0305-220K	22	10	50	25.2	9.6	3.4	130
FALGA0305-270K	27	10	50	25.2	7.2	3.8	125
FALGA0305-330K	33	10	50	25.2	6.3	4.1	120
FALGA0305-390K	39	10	50	25.2	6.3	4.5	115
FALGA0305-470K	47	10	50	25.2	6.3	4.9	110
FALGA0305-560K	56	10	50	25.2	6.2	5.3	105
FALGA0305-680K	68	10	50	25.2	5.7	5.8	100
FALGA0305-820K	82	10	50	25.2	5.3	6.3	95
FALGA0305-101K	100	10	50	25.2	4.8	7.0	90
FALGA0305-121K	120	10	50	0.796	3.8	13.0	90
FALGA0305-151K	150	10	50	0.796	3.5	15.0	85
FALGA0305-181K	180	10	50	0.796	3.3	16.0	80
FALGA0305-221K	220	10	50	0.796	3.0	17.0	75
FALGA0305-271K	270	10	50	0.796	2.8	19.0	65

TECHNICAL INFORMATION

1. Ordering Cod
 $\frac{FALGA}{(1)} \frac{04}{(2)} \frac{10}{(3)} \frac{KB}{(4)} - \frac{101}{(5)} \frac{K}{(6)} \frac{T52}{(7)}$
 (1) Type
 (2) Outside
 (3) Body Length
 (4) Formed Type
 (5) Nominal Inductance
 (6) Inductance Tolerance
 (7) Tape Type
 Testing: [Equivalent acceptable
 Inductance-Hp 4285A
 RDC: QuadTech 1880 Milliohm meter
 Q-HP 4342A
 SRF-HP 4191A
 IDC Max: The maximum DC value having inductance decrease within 10% and temperature increase within 20°C by the application of DC Bias
 Operating temperature: -25°C to +105°C
 Storage temperature: -40°C to +85°C
 Solderability: Temperature @ 230°C ±5°C for 2 seconds
 Marking: EIA 4 band color code
 Note: All specifications subject to change without notice.

Note: 1. K=±10%, M=±20%

THROUGH-HOLE AXIAL CONFORMAL COATED INDUCTORS FALGA0307 SERIES



FEATURES:

Magnetic Core
Wire-wound construction
Heat resistant epoxy resin
High reliability- Ideal for automatic insertion
Small size - Low Cost

OPTIONS:

Packaging: Tape & Reel is Standard
(Qty: 5000 pcs)
Bulk packaging available for smaller quantities
Tolerance:10% is standard
tighter tolerances available.

COMMON APPLICATIONS:

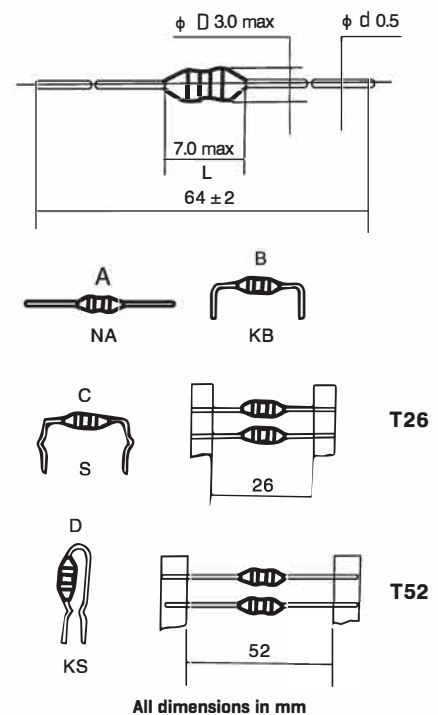
VCRs
Automotive Systems
Computer Peripheral Equipment
Televisions
Electronic Games
Mobile Communications Equipment
General Electronic Applications

STANDARD SPECIFICATIONS

Part Number	L [μH]	Tol ±%	Q min	L Test Freq [MHz]	S.R.F [MHz]	RDC (Ω) Max	IDC [mA]
FALGA0307-R22M	0.22	20	35	25.2	150	0.40	400
FALGA0307-R27M	0.27	20	35	25.2	150	0.43	380
FALGA0307-R33M	0.33	20	35	25.2	150	0.48	370
FALGA0307-R39M	0.39	20	35	25.2	150	0.51	350
FALGA0307-R47M	0.47	20	35	25.2	150	0.56	330
FALGA0307-R56M	0.56	20	40	25.2	150	0.61	320
FALGA0307-R68M	0.68	20	40	25.2	150	0.67	310
FALGA0307-R82M	0.82	20	40	25.2	150	0.74	290
FALGA0307-1R0M	1.0	20	40	25.2	150	0.80	270
FALGA0307-1R2M	1.2	20	50	7.96	144	0.90	260
FALGA0307-1R5M	1.5	20	50	7.96	131	1.0	250
FALGA0307-1R8M	1.8	20	50	7.96	121	1.1	240
FALGA0307-2R2M	2.2	20	50	7.96	110	1.2	230
FALGA0307-2R7M	2.7	20	50	7.96	100	1.3	220
FALGA0307-3R3K	3.3	10	50	7.96	94	1.4	210
FALGA0307-3R9K	3.9	10	50	7.96	85	1.6	200
FALGA0307-4R7K	4.7	10	50	7.96	76	1.7	190
FALGA0307-5R6K	5.6	10	50	7.96	68	1.9	180
FALGA0307-6R8K	6.8	10	50	7.96	61	2.0	175
FALGA0307-8R2K	8.2	10	50	7.96	53	2.2	165
FALGA0307-100K	10	10	50	7.96	46	2.5	160
FALGA0307-120K	12	10	50	2.52	19	2.5	150
FALGA0307-150K	15	10	50	2.52	17	2.8	145
FALGA0307-180K	18	10	50	2.52	15	3.1	140
FALGA0307-220K	22	10	50	2.52	13	3.4	130
FALGA0307-270K	27	10	50	2.52	11	3.8	125
FALGA0307-330K	33	10	50	2.52	10	4.1	120
FALGA0307-390K	39	10	50	2.52	9	4.5	115
FALGA0307-470K	47	10	50	2.52	8	4.9	110
FALGA0307-560K	56	10	50	2.52	7.5	5.3	105
FALGA0307-680K	68	10	50	2.52	7	5.8	100
FALGA0307-820K	82	10	50	2.52	6.5	6.3	95
FALGA0307-101K	100	10	50	2.52	6	7.0	90
FALGA0307-121K	120	10	50	0.796	3.8	13.0	90
FALGA0307-151K	150	10	50	0.796	3.5	15.0	85
FALGA0307-181K	180	10	50	0.796	3.3	16.0	80
FALGA0307-221K	220	10	50	0.796	3.0	17.0	75
FALGA0307-271K	270	10	50	0.796	2.8	19.0	65
FALGA0307-331K	330	10	50	0.796	2.6	20.0	60
FALGA0307-391K	390	10	50	0.796	2.4	22.0	55
FALGA0307-471K	470	10	50	0.796	2.25	24.0	55
FALGA0307-561K	560	10	50	0.796	2.10	26.0	50
FALGA0307-681K	680	10	50	0.796	1.95	28.0	45
FALGA0307-821K	820	10	50	0.796	1.85	30.0	40
FALGA0307-102K	1000	10	50	0.796	1.40	33.0	40

Note:1. K=±10%,M=±20%

PHYSICAL CHARACTERISTICS



All dimensions in mm

TECHNICAL INFORMATION

1- Ordering Cod
 FALGA 04 10 KB - 101 K T52
 (1) (2) (3) (4) (5) (6) (7)

- [1] Type
- [2] Outside
- [3] Body Length
- [4] Formed Type
- [5] Nominal Inductance
- [6] Inductance Tolerance
- [7] Tape Type

Testing: [Equivalent acceptable
 Inductance-Hp 4285A
 RDC: QuadTech 1880 Milliohm meter
 Q-HP 4342A
 SRF-HP 4191A

IDC Max: The maximum DC value having inductance decrease within 10% and temperature increase within 20°C by the application of DC Bias
 Operating temperature: -25°C to +105°C
 Storage temperature: -40°C to +85°C
 Solderability: Temperature @ 230°C ±5°C for 2 seconds
 Marking: EIA 4 band color code
 Note: All specifications subject to change without notice.

THROUGH-HOLE AXIAL CONFORMAL COATED INDUCTORS FALGA0410 SERIES



FEATURES:

Magnetic Core
Wire-wound construction
Heat resistant epoxy resin
High reliability - Ideal for automatic insertion
Small size - Low Cost

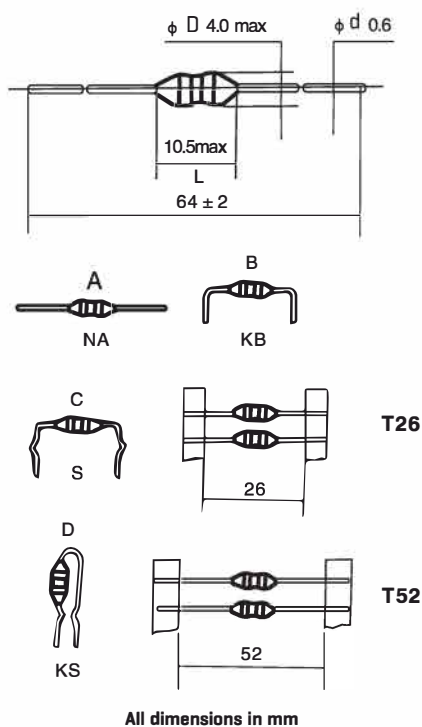
OPTIONS:

Packaging: Tape & Reel is Standard
(Qty: 5000 pcs)
Bulk packaging available for smaller quantities
Tolerance: 10% is standard
tighter tolerances available.

COMMON APPLICATIONS:

VCRs
Automotive Systems
Computer Peripheral Equipment
Televisions
Electronic Games
Mobile Communications Equipment
General Electronic Applications

PHYSICAL CHARACTERISTICS



STANDARD SPECIFICATIONS

Part Number	L [μH]	Tol ±%	Q min	L Test Freq [MHz]	S.R.F [MHz]	RDC (Ω) Max	IDC [mA]
FALGA0410-R22M	0.22	20	45	25.2	300	0.10	1400
FALGA0410-R27M	0.27	20	45	25.2	270	0.11	1320
FALGA0410-R33M	0.33	20	45	25.2	250	0.12	1280
FALGA0410-R39M	0.39	20	45	25.2	230	0.13	1200
FALGA0410-R47M	0.47	20	45	25.2	220	0.14	1150
FALGA0410-R56M	0.56	20	45	25.2	200	0.15	1100
FALGA0410-R68M	0.68	20	45	25.2	190	0.16	1030
FALGA0410-R82M	0.82	20	45	25.2	172	0.17	980
FALGA0410-1R0M	1.0	20	45	25.2	157	0.19	920
FALGA0410-1R2M	1.2	20	50	7.96	144	0.21	880
FALGA0410-1R5M	1.5	20	50	7.96	131	0.23	830
FALGA0410-1R8M	1.8	20	55	7.96	121	0.25	790
FALGA0410-2R2M	2.2	20	55	7.96	110	0.28	750
FALGA0410-2R7M	2.7	20	60	7.96	100	0.30	720
FALGA0410-3R3K	3.3	10	65	7.96	94	0.34	670
FALGA0410-3R9K	3.9	10	65	7.96	55	0.37	640
FALGA0410-4R7K	4.7	10	70	7.96	56	0.39	620
FALGA0410-5R6K	5.6	10	70	7.96	48	0.43	590
FALGA0410-6R8K	6.8	10	75	7.96	37	0.48	550
FALGA0410-8R2K	8.2	10	80	7.96	25	0.52	530
FALGA0410-100K	10	10	65	7.96	21	0.58	500
FALGA0410-120K	12	10	50	2.52	19	1.63	480
FALGA0410-150K	15	10	50	2.52	17	0.72	460
FALGA0410-180K	18	10	50	2.52	13	0.77	430
FALGA0410-220K	22	10	50	2.52	9.6	0.84	410
FALGA0410-270K	27	10	55	2.52	7.2	0.94	390
FALGA0410-330K	33	10	55	2.52	6.6	1.03	370
FALGA0410-390K	39	10	50	2.52	6.6	1.12	350
FALGA0410-470K	47	10	45	2.52	6.3	1.22	340
FALGA0410-560K	56	10	40	2.52	6.2	1.34	320
FALGA0410-680K	68	10	40	2.52	5.7	1.47	305
FALGA0410-820K	82	10	35	2.52	5.3	1.62	290
FALGA0410-101K	100	10	30	2.52	4.8	1.80	275
FALGA0410-121K	120	10	55	0.796	3.8	3.70	185
FALGA0410-151K	150	10	45	0.796	3.5	4.20	175
FALGA0410-181K	180	10	50	0.796	3.3	4.60	165
FALGA0410-221K	220	10	55	0.796	3.0	5.10	155
FALGA0410-271K	270	10	65	0.796	2.8	5.80	145
FALGA0410-331K	330	10	65	0.796	2.6	6.40	137
FALGA0410-391K	390	10	65	0.796	2.4	7.00	133
FALGA0410-471K	470	10	60	0.796	2.25	7.70	126
FALGA0410-561K	560	10	60	0.796	2.10	8.50	120
FALGA0410-681K	680	10	55	0.796	1.95	9.40	113
FALGA0410-821K	820	10	55	0.796	1.85	10.5	105
FALGA0410-102K	1000	10	50	0.796	1.40	14.0	100

TECHNICAL INFORMATION

1. Ordering Cod

LGA 04 10 KB - 101 K T52
(1) (2) (3) (4) (5) (6) (7)

- [1] Type
- [2] Outside
- [3] Body Length
- [4] Formed Type
- [5] Nominal Inductance
- [6] Inductance Tolerance
- [7] Tape Type

Testing: [Equivalent acceptable]
Inductance-Hp 4285A
RDC: QuadTech 1880 Milliohmmeter
Q-HP 4342A
SRF-HP 4191A

IDC Max: The maximum DC value having inductance decrease within 10% and temperature increase within 20°C by the application of DC Bias
Operating temperature: -25°C to +10
Storage temperature: -40°C to +85°C
Solderability: Temperature @ 230°C ±5°C for 2 seconds
Marking: EIA 4 band color code
Note: All specifications subject to change without notice.

Note: 1. K=±10%, M=±20%

THROUGH-HOLE AXIAL CONFORMAL COATED INDUCTORS FALGA0510 SERIES



FEATURES:

Magnetic Core
Wire-wound construction
Heat resistant epoxy resin
High reliability- Ideal for automatic insertion
Small size、Low Cost

OPTIONS:

Packaging: Tape & Reel is Standard
(Qty: 5000 pcs)
Bulk packaging available for smaller quantities
Tolerance:10% is standard
tighter tolerances available.

COMMON APPLICATIONS:

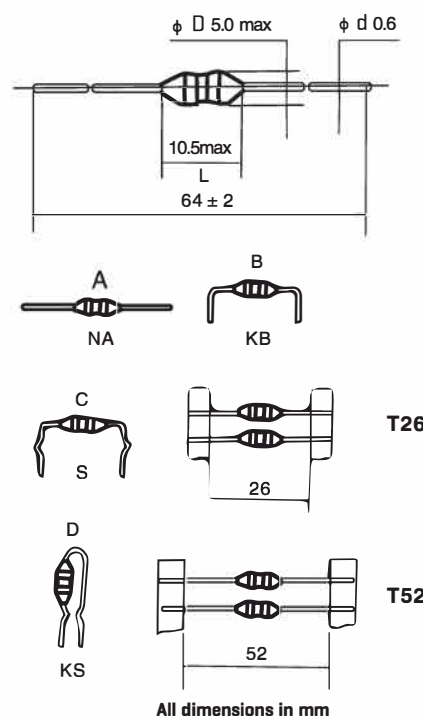
VCRs
Automotive Systems
Computer Peripheral Equipment
Televisions
Electronic Games
Mobile Communications Equipment
General Electronic Applications

STANDARD SPECIFICATIONS

Part Number	L [μ H]	Tol \pm %	Q min	L Test Freq [MHz]	S.R.F [MHz]	RDC (Ω) Max	IDC [mA]
FALGA0510-471K	470	10	60	0.796	1.9	7.70	126
FALGA0510-561K	560	10	50	0.796	1.8	8.50	120
FALGA0510-681K	680	10	55	0.796	1.5	9.00	113
FALGA0510-821K	820	10	45	0.796	1.2	10.5	105
FALGA0510-102K	1000	10	45	0.796	1.0	14.0	100
FALGA0510-122K	1200	10	40	0.252	0.95	16.9	95
FALGA0510-152K	1500	10	40	0.252	0.90	21.6	90
FALGA0510-182K	1800	10	40	0.252	0.85	24.0	85
FALGA0510-222K	2200	10	40	0.252	0.80	34.7	80
FALGA0510-272K	2700	10	40	0.252	0.75	40.0	75
FALGA0510-332K	3300	10	40	0.252	0.70	59.5	62
FALGA0510-392K	3900	10	40	0.252	0.65	66.0	59
FALGA0510-472K	4700	10	40	0.252	0.60	74.0	55
FALGA0510-562K	5600	10	30	0.252	0.50	80.0	40
FALGA0510-682K	6800	10	30	0.252	0.45	85.0	35
FALGA0510-822K	8200	10	30	0.252	0.40	95.0	30
FALGA0510-103K	10000	10	20	0.252	0.35	105.0	25

Note:1. K= \pm 10%,M= \pm 20%

PHYSICAL CHARACTERISTICS



TECHNICAL INFORMATION

1. Ordering Cod

LGA 04 10 KB - 101 K T52
(1) (2) (3) (4) (5) (6) (7)

- [1] Type
- [2] Outside
- [3] Body Length
- [4] Formed Type
- [5] Nominal Inductance
- [6] Inductance Tolerance
- [7] Tape Type

Testing:[Equivalent acceptable

Inductance-Hp 4285A

RDC:QuadTech 1880 Milliohm meter

Q-HP 4342A

SRF-HP 4191A

IDC Max:The maximum DC value having inductance decrease within 10% and temperature increase within 20°C by the application of DC Bias

Operating temperature:-25°C to +105°C

Storage temperature:-40°C to +85°C

Solderability:Temperature @ 230°C \pm 5°C for 2 seconds

Marking:EIA 4 band color code

Note: All specification's subject to change without notice.

THROUGH-HOLE AXIAL CONFORMAL COATED INDUCTORS FALGA0512 SERIES



FEATURES:

- Ferrite Core
- Wire-wound construction
- Heat resistant epoxy resin
- High reliability - Ideal for automatic insertion
- Small size - Low Cost

OPTIONS:

- Packaging: Tape & Reel is Standard (Qty: 1000 pcs)
- Bulk packaging available for smaller quantities
- Tolerance: 10% is standard tighter tolerances available.

COMMON APPLICATIONS:

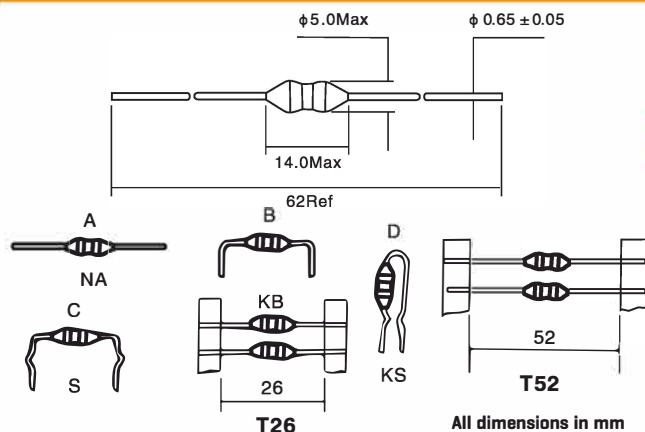
- VCRs, PDP, LCD, TV set
- Automotive Systems
- Computer Peripheral Equipment
- GPS, DC/DC convertor, XDSL Modem
- Electronic Games
- Mobile Communications Equipment
- General Electronic Applications

STANDARD SPECIFICATIONS

Part Number	L (μH)	L Test Freq (MHz)	Q (Min)	Q Test Freq (MHz)	SRF (MHz)	DCR (Ω)Max	IDC (mA)Max	Part Number	L (μH)	L Test Freq (MHz)	Q (Min)	Q Test Freq (MHz)	SRF (MHz)	DCR (Ω)Max	IDC (mA)Max
FALGA0512-1R0M	1.0	7.96	10	7.96	300	0.022	3800	FALGA0512-181K	180	0.796	15	0.796	4.0	1.10	400
FALGA0512-1R2M	1.2	7.96	10	7.96	260	0.024	3700	FALGA0512-221K	220	0.796	15	0.796	3.8	1.25	390
FALGA0512-1R5M	1.5	7.96	10	7.96	250	0.026	3600	FALGA0512-271K	270	0.796	15	0.796	3.5	1.85	330
FALGA0512-1R8M	1.8	7.96	10	7.96	240	0.029	3100	FALGA0512-331K	330	0.796	15	0.796	3.0	2.10	310
FALGA0512-2R2M	2.2	7.96	10	7.96	220	0.031	2900	FALGA0512-391K	390	0.796	15	0.796	2.8	2.28	300
FALGA0512-2R7M	2.7	7.96	10	7.96	195	0.034	2700	FALGA0512-471K	470	0.796	15	0.796	2.5	3.22	280
FALGA0512-3R3K	3.3	7.96	10	7.96	155	0.038	2600	FALGA0512-561K	560	0.796	15	0.796	2.2	3.85	270
FALGA0512-3R9K	3.9	7.96	10	7.96	115	0.040	2500	FALGA0512-681K	680	0.796	15	0.796	2.1	4.00	240
FALGA0512-4R7K	4.7	7.96	10	7.96	85	0.044	2400	FALGA0512-821K	820	0.796	15	0.796	2.0	5.00	230
FALGA0512-5R6K	5.6	7.96	10	7.96	55	0.048	2100	FALGA0512-102K	1000	0.796	15	0.796	1.8	5.80	190
FALGA0512-6R8K	6.8	7.96	10	7.96	50	0.051	2000	FALGA0512-122K	1200	0.796	15	0.796	1.6	7.10	180
FALGA0512-8R2K	8.2	7.96	10	7.96	38	0.056	1950	FALGA0512-152K	1500	0.796	15	0.796	1.5	7.8	170
FALGA0512-100K	10	7.96	10	7.96	24	0.062	1900	FALGA0512-182K	1800	0.796	15	0.796	1.3	11.0	150
FALGA0512-120K	12	2.52	10	2.52	18	0.076	1800	FALGA0512-222K	2200	0.796	35	0.796	1.2	14.0	120
FALGA0512-150K	15	2.52	10	2.52	16	0.088	1700	FALGA0512-272K	2700	0.796	35	0.796	1.1	18.0	100
FALGA0512-180K	18	2.52	10	2.52	15	0.11	1600	FALGA0512-332K	3300	0.796	35	0.796	1.0	22.0	80
FALGA0512-220K	22	2.52	10	2.52	14	0.13	1550	FALGA0512-392K	3900	0.252	40	0.252	0.9	26.0	60
FALGA0512-270K	27	2.52	10	2.52	13	0.14	1300	FALGA0512-472K	4700	0.252	50	0.252	0.7	32.0	50
FALGA0512-330K	33	2.52	10	2.52	11	0.20	1200	FALGA0512-562K	5600	0.252	70	0.252	0.6	34.0	40
FALGA0512-390K	39	2.52	10	2.52	10	0.22	1000	FALGA0512-682K	6800	0.252	70	0.252	0.5	45.0	34
FALGA0512-430K	43	2.52	10	2.52	9.5	0.28	950	FALGA0512-822K	8200	0.252	50	0.252	0.4	60.0	30
FALGA0512-470K	47	2.52	10	2.52	9.5	0.28	950	FALGA0512-103K	10000	0.0796	40	0.0796	0.4	70.0	28
FALGA0512-560K	56	2.52	10	2.52	8.0	0.30	900	FALGA0512-123K	12000	0.0796	40	0.0796	0.3	82.0	24
FALGA0512-680K	68	2.52	10	2.52	7.5	0.34	800	FALGA0512-153K	15000	0.0796	40	0.0796	0.3	89.0	22
FALGA0512-820K	82	2.52	10	2.52	7.0	0.385	750	FALGA0512-183K	18000	0.0796	40	0.0796	0.3	141.0	15
FALGA0512-101K	100	2.52	10	2.52	6.5	0.48	700	FALGA0512-223K	22000	0.0796	40	0.0796	0.2	170.0	12
FALGA0512-121K	120	0.796	15	0.796	5.0	0.595	600	FALGA0512-333K	33000	0.0796	40	0.0796	0.2	250.0	8
FALGA0512-151K	150	0.796	15	0.796	4.5	0.90	500								

Note: L, K=±10%, M=±20%

PHYSICAL CHARACTERISTICS



ELECTRONICAL SCHEMATIC

DIMENSIONS in mm



TECHNICAL INFORMATION

Inductance Testing: HP4284A, HP4285A or equivalent
 RDC: QuadTech 1880 Milliohmmer
 Q - HP4342A
 SRF - HP4191A or HP4194A
 Rated Current L value drop 10% typ. at DC against its initial value
 Temperature rise 40 °C Max Reference ambient temperature
 Solderability: 75% of the lead wire shall be covered
 Soldering Methods: Wave, Reflow
 Operating Temperature: -25°C to +85°C
 Storage Temperature: -40°C to +85°C
 Terminal bending strength: 24.5N Min
 Moisture resistance: ΔL/L ≤ ±10% ΔQ/Q ≤ ±25%
 Note: All specifications subject to change without notice.

THROUGH-HOLE AXIAL CONFORMAL COATED INDUCTORS FALGA0612 SERIES



FEATURES:

Magnetic Core
Wire-wound construction
Heat resistant epoxy resin
High reliability、 Ideal for automatic insertion
Small size、 Low Cost

OPTIONS:

Packaging: Tape & Reel is Standard
[Qty: 5000 pcs]
Bulk packaging available for smaller quantities
Tolerance:10% is standard
tighter tolerances available.

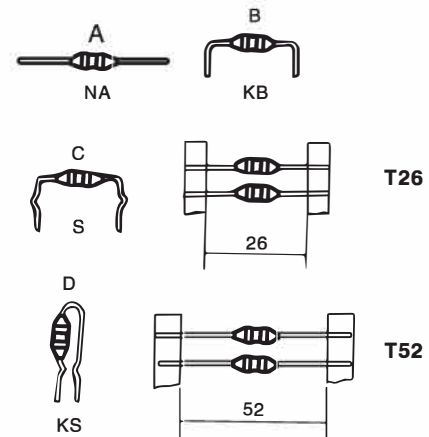
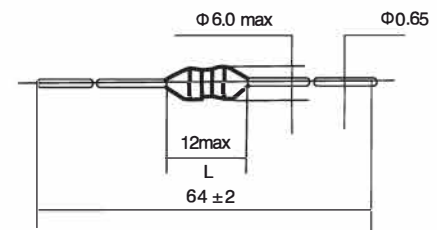
COMMON APPLICATIONS:

VCRs
Automotive Systems
Computer Peripheral Equipment
Televisions
Electronic Games
Mobile Communications Equipment
General Electronic Applications

STANDARD SPECIFICATIONS PHYSICAL CHARACTERISTICS

Part Number	L [μH]	Tol ±%	Q min	L Test Freq [MHz]	S.R.F [MHz]	RDC (Ω) Max	IDC [mA]
FALGA0612-471K	470	10	50	0.796	2.00	1.90	340
FALGA0612-561K	560	10	50	0.796	1.7	2.05	310
FALGA0612-681K	680	10	50	0.796	1.6	2.30	280
FALGA0612-821K	820	10	50	0.796	1.3	2.94	260
FALGA0612-102K	1000	10	50	0.796	1.0	3.85	230
FALGA0612-122K	1200	10	50	0.252	0.90	5.70	210
FALGA0612-152K	1500	10	50	0.252	0.80	6.75	200
FALGA0612-182K	1800	10	50	0.252	0.70	7.55	160
FALGA0612-222K	2200	10	50	0.252	0.65	8.74	130
FALGA0612-272K	2700	10	50	0.252	0.60	11.4	90
FALGA0612-332K	3300	10	50	0.252	0.58	13.1	86
FALGA0612-392K	3900	10	50	0.252	0.55	17.4	82
FALGA0612-472K	4700	10	50	0.252	0.50	24.8	80
FALGA0612-562K	5600	10	50	0.252	0.45	26.8	76
FALGA0612-682K	6800	10	50	0.252	0.41	31.6	72
FALGA0612-822K	8200	10	40	0.252	0.35	40.8	70
FALGA0612-103K	10000	10	40	0.252	0.30	45.3	60

Note:1. K=±10%,M=±20%



All dimensions in mm

TECHNICAL INFORMATION

1. Ordering Cod
FALGA 04 10 KB - 101 K T52
[1] [2] [3] [4] [5] [6] [7]

[1] Type
[2] Outside
[3] Body Length
[4] Formed Type
[5] Nominal Inductance
[6] Inductance Tolerance
[7] Tape Type
Testing:(Equivalent acceptable
Inductance-Hp 4285A
RDC:QuadTech 1880 Milliohmmeter
Q-HP 4342A
SRF-HP 4191A
IDC Max:The maximum DC value having inductance decrease within 10% and temperature increase within 20°C by the application of DC Bias
Operating temperature:-25°C to +105°C
Storage temperature:-40°C to +85°C
Solderability:Temperature @ 230°C ±5°C for 2 seconds
Marking:EIA 4 band color code
Note: All specifications subject to change without notice.

THROUGH-HOLE AXIAL CONFORMAL MOLDED INDUCTORS FALTM0307 SERIES



FEATURES:

Ferrite Core
Wire-wound construction
Heat resistant epoxy molded resin
High reliability- Ideal for automatic insertion
Small size - Low Cost

OPTIONS:

Packaging: Tape & Reel is Standard (Qty: 1000 pcs)
Bulk packaging available for smaller quantities
Tolerance:10% is standard tighter tolerances available.

COMMON APPLICATIONS:

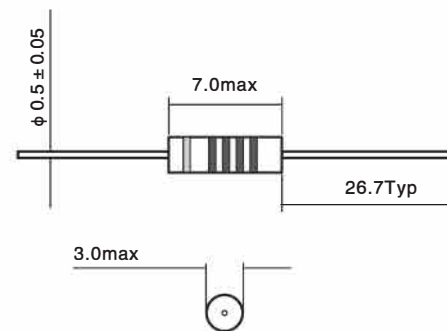
VCRs, PDP, LCD, TV set
Automotive Systems
Computer Peripheral Equipment
GPS, DC/DC converter, XDSL Modem
Electronic Games
Mobile Communications Equipment
General Electronic Applications

STANDARD SPECIFICATIONS

PHYSICAL CHARACTERISTICS

Part Number	L [μ H]	Tol \pm %	Q min	L Test Freq [MHz]	S.R.F [MHz]	RDC (Ω) Max	IDC [mA]
FALTM0307-R22M	0.22	20	35	25.2	150	0.40	400
FALTM0307-R27M	0.27	20	35	25.2	150	0.43	380
FALTM0307-R33M	0.33	20	35	25.2	150	0.48	370
FALTM0307-R39M	0.39	20	35	25.2	150	0.51	350
FALTM0307-R47M	0.47	20	35	25.2	150	0.56	330
FALTM0307-R56M	0.56	20	40	25.2	150	0.61	320
FALTM0307-R68M	0.68	20	40	25.2	150	0.67	310
FALTM0307-R82M	0.82	20	40	25.2	150	0.74	290
FALTM0307-1R0M	1.0	20	40	25.2	150	0.80	270
FALTM0307-1R2M	1.2	20	50	7.96	144	0.90	260
FALTM0307-1R5M	1.5	20	50	7.96	131	1.0	250
FALTM0307-1R8M	1.8	20	50	7.96	121	1.1	240
FALTM0307-2R2M	2.2	20	50	7.96	110	1.2	230
FALTM0307-2R7M	2.7	20	50	7.96	100	1.3	220
FALTM0307-3R3K	3.3	10	50	7.96	94	1.4	210
FALTM0307-3R9K	3.9	10	50	7.96	65	1.6	200
FALTM0307-4R7K	4.7	10	50	7.96	56	1.7	190
FALTM0307-5R6K	5.6	10	50	7.96	48	1.9	180
FALTM0307-6R8K	6.8	10	50	7.96	37	2.0	175
FALTM0307-8R2K	8.2	10	50	7.96	25	2.2	165
FALTM0307-100K	10	10	50	7.96	21	2.5	160
FALTM0307-120K	12	10	50	2.52	19	2.5	150
FALTM0307-150K	15	10	50	2.52	17	2.8	145
FALTM0307-180K	18	10	50	2.52	13	3.1	140
FALTM0307-220K	22	10	50	2.52	9.6	3.4	130
FALTM0307-270K	27	10	50	2.52	7.2	3.8	125
FALTM0307-330K	33	10	50	2.52	6.3	4.1	120
FALTM0307-390K	39	10	50	2.52	6.3	4.5	115
FALTM0307-470K	47	10	50	2.52	6.3	4.9	110
FALTM0307-560K	56	10	50	2.52	6.2	5.3	105
FALTM0307-680K	68	10	50	2.52	5.7	5.8	100
FALTM0307-820K	82	10	50	2.52	5.3	6.3	95
FALTM0307-101K	100	10	50	2.52	4.8	7.0	90
FALTM0307-121K	120	10	50	0.796	3.8	13.0	90
FALTM0307-151K	150	10	50	0.796	3.5	15.0	85
FALTM0307-181K	180	10	50	0.796	3.3	16.0	80
FALTM0307-221K	220	10	50	0.796	3.0	17.0	75
FALTM0307-271K	270	10	50	0.796	2.8	19.0	65
FALTM0307-331K	330	10	50	0.796	2.6	20.0	60
FALTM0307-391K	390	10	50	0.796	2.4	22.0	55
FALTM0307-471K	470	10	50	0.796	2.25	24.0	55
FALTM0307-561K	560	10	50	0.796	2.10	26.0	50
FALTM0307-681K	680	10	50	0.796	1.95	28.0	45
FALTM0307-821K	820	10	50	0.796	1.85	30.0	40
FALTM0307-102K	1000	10	50	0.796	1.40	33.0	40

Note:1. K= \pm 10%,M= \pm 20%



DIMENSIONS in mm

ELECTRONICAL SCHEMATIC



TECHNICAL INFORMATION

Inductance Testing: HP4284A, HP4285A or equivalent
 RDC: QuadTech 1880 Milliohmmetre
 Q- HP4342A
 SRF- HP4191A or HP4194A
 Rated Current L value drop 10% typ. at IDC against its initial value
 Temperature rise 40°C Max Reference ambient temperature
 Solderability: 75% of the lead wire shall be covered
 Soldering Methods: Wave, Reflow
 Operating Temperature: -25°C to +85°C
 Storage Temperature: -55°C to +125°C
 Terminal bending strength: 24.5N Min
 Moisture resistance: $\Delta L/L \leq \pm 10\%$ $\Delta Q/Q \leq \pm 25\%$

Note: All specifications subject to change without notice.

THROUGH-HOLE AXIAL CONFORMAL MOLDED INDUCTORS FALTM0410 SERIES



FEATURES:

Ferrite Core
Wire-wound construction
Heat resistant epoxy molded resin
High reliability - Ideal for automatic insertion
Small size - Low Cost

OPTIONS:

Packaging: Tape & Reel is Standard [Qty: 1000 pcs]
Bulk packaging available for smaller quantities
Tolerance: 10% is standard tighter tolerances available.

COMMON APPLICATIONS:

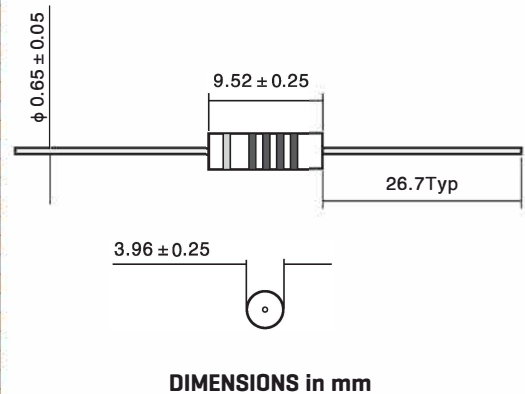
VCRs, PDP, LCD, TV ses
Automotive Systems
Computer Peripheral Equipment
GPS, DC/DC convertor, XDSL Modem
Electronic Games
Mobile Communications Equipment
General Electronic Applications

STANDARD SPECIFICATIONS

Part Number	L (µH)	L Test Freq [MHz]	Q (Min)	Q test Freq [MHz]	SRF [MHz]	DCR (Ω)Max	IDC [mA]Max
FALTM0410-R10M	0.10	25	50	25	525	0.03	2740
FALTM0410-R15M	0.15	25	50	25	525	0.03	2740
FALTM0410-R22M	0.22	25	50	25	450	0.055	2020
FALTM0410-R33M	0.33	25	45	25	360	0.09	1580
FALTM0410-R39M	0.39	25	45	25	330	0.11	1420
FALTM0410-R47M	0.47	25	45	25	310	0.12	1370
FALTM0410-R56M	0.56	25	50	25	280	0.14	1290
FALTM0410-R68M	0.68	25	50	25	250	0.15	1220
FALTM0410-R82M	0.82	25	50	25	220	0.22	1020
FALTM0410-1R0K	1.00	25	50	25	180	0.29	880
FALTM0410-1R2K	1.20	7.9	33	7.9	160	0.42	730
FALTM0410-1R5K	1.50	7.9	33	7.9	150	0.50	670
FALTM0410-1R8K	1.80	7.9	33	7.9	135	0.65	590
FALTM0410-2R2K	2.20	7.9	33	7.9	120	0.95	485
FALTM0410-2R7K	2.70	7.9	33	7.9	110	1.2	430
FALTM0410-3R3K	3.30	7.9	33	7.9	100	2.0	335
FALTM0410-3R9K	3.90	7.9	33	7.9	90	2.3	310
FALTM0410-4R7K	4.70	7.9	33	7.9	55	2.6	294
FALTM0410-5R6K	5.60	7.9	45	7.9	55	0.32	565
FALTM0410-6R8K	6.80	7.9	50	7.9	50	0.50	450
FALTM0410-8R2K	8.20	7.9	50	7.9	45	0.60	410
FALTM0410-100K	10	7.9	55	7.9	42	0.90	335
FALTM0410-120K	12	2.5	65	2.5	40	1.1	305
FALTM0410-150K	15	2.5	75	2.5	34	1.4	271
FALTM0410-180K	18	2.5	75	2.5	30	2.3	213
FALTM0410-220K	22	2.5	60	2.5	26	2.5	202
FALTM0410-240K	24	2.5	60	2.5	25	2.5	202
FALTM0410-270K	27	2.5	65	2.5	21	2.6	198
FALTM0410-300K	30	2.5	65	2.5	19	2.8	191
FALTM0410-330K	33	2.5	60	2.5	15.5	3.0	185
FALTM0410-360K	36	2.5	60	2.5	14.5	2.5	202
FALTM0410-390K	39	2.5	60	2.5	13.7	2.6	198
FALTM0410-430K	43	2.5	55	2.5	13.0	2.8	194
FALTM0410-470K	47	2.5	55	2.5	12.7	2.8	193
FALTM0410-510K	51	2.5	55	2.5	12.0	2.9	189
FALTM0410-560K	56	2.5	55	2.5	11.5	3.0	184
FALTM0410-620K	62	2.5	55	2.5	11.0	3.2	180
FALTM0410-680K	68	2.5	55	2.5	10.3	3.3	176
FALTM0410-750K	75	2.5	55	2.5	10.0	3.7	166
FALTM0410-820K	82	2.5	50	2.5	9.5	3.9	162
FALTM0410-910K	91	2.5	50	2.5	8.9	4.3	154
FALTM0410-101K	100	2.5	50	2.5	8.7	4.5	151
FALTM0410-111K	110	0.79	60	0.79	8.5	4.9	144
FALTM0410-121K	120	0.79	65	0.79	8.0	5.2	140
FALTM0410-131K	130	0.79	65	0.79	7.5	5.5	137
FALTM0410-151K	150	0.79	65	0.79	8.0	6.1	130
FALTM0410-161K	160	0.79	65	0.79	7.5	6.4	126
FALTM0410-181K	180	0.79	65	0.79	8.0	6.1	130
FALTM0410-201K	200	0.79	65	0.79	6.5	7.1	123
FALTM0410-221K	220	0.79	65	0.79	6.2	7.5	117
FALTM0410-241K	240	0.79	65	0.79	5.9	7.8	115
FALTM0410-271K	270	0.79	65	0.79	5.7	11.0	143
FALTM0410-301K	300	0.79	65	0.79	5.4	11.5	140
FALTM0410-331K	330	0.79	65	0.79	5.1	12.0	136
FALTM0410-361K	360	0.79	65	0.79	4.8	12.5	134
FALTM0410-391K	390	0.79	65	0.79	4.5	16.3	117
FALTM0410-431K	430	0.79	65	0.79	4.2	17.1	115
FALTM0410-471K	470	0.79	65	0.79	3.9	17.9	112
FALTM0410-511K	510	0.79	65	0.79	3.7	18.8	109
FALTM0410-561K	560	0.79	65	0.79	3.8	19.5	107
FALTM0410-621K	620	0.79	65	0.79	3.3	25.9	93
FALTM0410-681K	680	0.79	65	0.79	3.1	27.2	91
FALTM0410-751K	750	0.79	65	0.79	2.9	28.6	88
FALTM0410-821K	820	0.79	65	0.79	2.7	30.0	86
FALTM0410-911K	910	0.79	65	0.79	2.5	31.5	84
FALTM0410-102K	100	0.79	65	0.79	2.3	33.0	82

Note: 1. K=±10%, M=±20%

PHYSICAL CHARACTERISTICS



DIMENSIONS in mm

ELECTRONICAL SCHEMATIC



TECHNICAL INFORMATION

Inductance Testing: HP4284A, HP4285A or equivalent
RDC: QuadTech 1880 Milliohm meter
Q - HP4342A
SRF - HP4191A or HP4194A
Rated Current L value drop 10% typ. at DC against its initial value
Temperature rise 40°C Max Reference ambient temperature
Solderability: 75% of the lead wire shall be covered
Soldering Methods: Wave, Reflow
Operating Temperature: -25°C to +85°C
Storage Temperature: -55°C to +125°C
Terminal bending strength: 24.5N Min
Moisture resistance: ΔL/L ≤ ±10% ΔQ/Q ≤ ±25%

Note: All specifications subject to change without notice.

THROUGH-HOLE AXIAL CONFORMAL MOLDED INDUCTORS

FALTM0511 SERIES



FEATURES:

Ferrite Core
Wire-wound construction
Heat resistant epoxy molded resin
High reliability - Ideal for automatic insertion
Small size - Low Cost

OPTIONS:

Packaging: Tape & Reel is Standard (Qty: 1000 pcs)
Bulk packaging available for smaller quantities
Tolerance: 10% is standard tighter tolerances available.

COMMON APPLICATIONS:

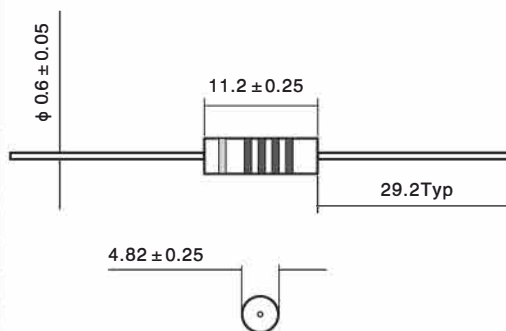
VCRs, PDP, LCD, TV ses
Automotive Systems
Computer Peripheral Equipment
GPS, DC/DC convertor, XDSL Modem
Electronic Games
Mobile Communications Equipment
General Electronic Applications

STANDARD SPECIFICATIONS

Part Number	L [μ H]	L Test Freq [MHz]	Q [Min]	Qtest Freq [MHz]	SRF [MHz]	DCR (Ω)Max	IDC [mA]Max
FALTM0511-R15M	0.15	25	50	25	510	0.03	3050
FALTM0511-R22M	0.22	25	50	25	415	0.035	2800
FALTM0511-R33M	0.33	25	50	25	350	0.065	2000
FALTM0511-R47M	0.47	25	50	25	300	0.085	1700
FALTM0511-R56M	0.56	25	50	25	270	0.125	1450
FALTM0511-R68M	0.68	25	45	25	250	0.15	1300
FALTM0511-R82M	0.82	25	40	25	210	0.21	1100
FALTM0511-1R0K	1.00	25	40	25	200	0.29	930
FALTM0511-1R2K	1.20	7.9	30	7.9	180	0.40	785
FALTM0511-1R5K	1.50	7.9	30	7.9	170	0.49	700
FALTM0511-1R8K	1.80	7.9	30	7.9	150	0.74	550
FALTM0511-2R2K	2.20	7.9	30	7.9	140	0.97	505
FALTM0511-2R7K	2.70	7.9	30	7.9	120	1.2	460
FALTM0511-3R3K	3.30	7.9	30	7.9	70	0.14	990
FALTM0511-3R9K	3.90	7.9	30	7.9	65	0.155	870
FALTM0511-4R7K	4.70	7.9	30	7.9	60	0.21	745
FALTM0511-5R6K	5.60	7.9	30	7.9	50	0.28	645
FALTM0511-6R8K	6.80	7.9	30	7.9	50	0.375	560
FALTM0511-8R2K	8.20	7.9	30	7.9	48	0.44	540
FALTM0511-100K	10	7.9	50	7.9	42	0.61	440
FALTM0511-120K	12	2.5	55	2.5	36	1.1	370
FALTM0511-150K	15	2.5	60	2.5	30	1.2	310
FALTM0511-180K	18	2.5	60	2.5	30	2.0	255
FALTM0511-220K	22	2.5	65	2.5	24	2.2	240
FALTM0511-270K	27	2.5	55	2.5	22	2.8	205
FALTM0511-330K	33	2.5	55	2.5	18	2.3	300
FALTM0511-390K	39	2.5	55	2.5	16	2.5	285
FALTM0511-470K	47	2.5	55	2.5	14	3.4	245
FALTM0511-560K	56	2.5	55	2.5	14	4.1	225
FALTM0511-680K	68	2.5	55	2.5	11	4.2	220
FALTM0511-820K	82	2.5	55	2.5	9.3	4.4	215
FALTM0511-101K	100	0.79	45	0.79	8.5	4.9	205
FALTM0511-121K	120	0.79	60	0.79	7.3	5.4	195
FALTM0511-151K	150	0.79	60	0.79	6.2	6.2	180
FALTM0511-181K	180	0.79	60	0.79	5.7	7.1	170
FALTM0511-221K	220	0.79	60	0.79	5.2	7.9	160
FALTM0511-271K	270	0.79	65	0.79	5.6	8.2	110
FALTM0511-331K	330	0.79	65	0.79	5.0	9.1	105
FALTM0511-391K	390	0.79	65	0.79	4.5	10.0	100
FALTM0511-471K	470	0.79	65	0.79	4.0	11.1	95
FALTM0511-561K	560	0.79	65	0.79	3.8	12.3	91
FALTM0511-681K	680	0.79	60	0.79	3.4	13.7	85
FALTM0511-821K	820	0.79	60	0.79	3.1	15.1	81
FALTM0511-102K	100	0.79	60	0.79	2.8	16.5	78

Note: 1. K=±10%, M=±20%

PHYSICAL CHARACTERISTICS



DIMENSIONS in mm

ELECTRONICAL SCHEMATIC



TECHNICAL INFORMATION:

Inductance Testing: ,HP4284A,HP4285A or equivalent
 RDC: QuadTech 1880 Milliohm meter
 Q - HP4342A
 SRF- HP4191A or HP4194A
 Rated Current L value drop 10% typ. at DC against its initial value
 Temperature rise 40°C Max Reference ambient temperature
 Solderability: 75% of the lead wire shall be covered
 Soldering Methods: Wave, Reflow
 Operating Temperature: -25°C to +85°C
 Storage Temperature: -55°C to +125°C
 Terminal bending strength: 24.5N Min
 Moisture resistance: $\Delta L/L \leq 10\%$ $\Delta Q/Q \leq 25\%$

Note: All specifications subject to change without notice.

THROUGH-HOLE AXIAL UL TUBE POWER CHOKES FALCHA1425,1122,0617,0410 SERIES



FEATURES:

Wire-wound Construction
Polyolefin Shrink Tubing
Excellent Environmental Characteristics
High Reliability
High Inductance and Lower RDC

OPTIONS:

Bulk Packaging is Standard
[Qty: 500 pcs.]
Tolerance: 10% is Standard
Tighter Tolerances Available

COMMON APPLICATIONS:

Power Supplies
SCR and TRIAC Controls
RFI Suppression
Filters
Switching Regulators

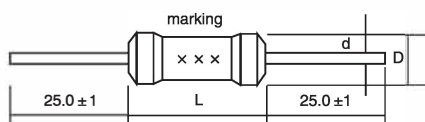
STANDARD SPECIFICATIONS:

Part Number FALCHA-xx-	L [μH]	1425			1122			0617			0410		
		DCR Max. ohm @+20%	I Sat A(max)	Idc A(max)	DCR Max. ohm @+20%	I Sat A(max)	Idc A(max)	DCR Max. ohm @+20%	I Sat A(max)	Idc A(max)	DCR Max. ohm @+20%	I Sat mA(max)	Idc mA(max)
3R9K	3.9	.007	47.0	6.0	.007	15.5	4.0	.019	7.3	1.70	.060	1800	1500
4R7K	4.7	.008	42.0	6.0	.008	13.9	4.0	.022	6.3	1.50	.068	1700	1400
5R6K	5.6	.009	35.0	6.0	.011	12.6	4.0	.024	5.6	1.40	.074	1600	1300
6R8K	6.8	.010	29.0	6.0	.011	11.6	4.0	.026	5.3	1.35	.080	1600	1200
8R2K	8.2	.011	24.0	6.0	.013	9.89	4.0	.028	4.5	1.30	.087	1500	1100
100K	10	.012	19.0	6.0	.017	8.70	4.0	.033	4.1	1.30	.095	1500	970
120K	12	.013	16.0	6.0	.019	8.21	4.0	.037	3.6	1.30	.110	1400	880
150K	15	.014	14.8	6.0	.022	7.34	4.0	.040	3.3	1.28	.115	1200	790
180K	18	.015	13.4	6.0	.023	6.64	4.0	.044	3.0	1.28	.160	1100	710
220K	22	.016	12.4	6.0	.026	6.07	4.0	.050	2.7	1.00	.190	1000	640
270K	27	.017	11.2	6.0	.027	5.36	4.0	.058	2.5	1.00	.220	950	580
330K	33	.021	10.2	6.0	.032	4.82	4.0	.075	2.2	1.00	.350	910	530
390K	39	.023	9.3	6.0	.033	4.36	4.0	.094	2.0	1.00	.260	880	480
470K	47	.025	8.7	6.0	.035	3.98	4.0	.109	1.8	1.00	.350	760	430
560K	56	.028	8.0	6.0	.037	3.66	3.2	.140	1.7	.840	.470	650	400
680K	68	.039	7.0	4.7	.047	3.31	2.5	.145	1.5	.610	.530	610	370
820K	82	.043	6.3	4.7	.060	3.10	2.0	.152	1.4	.520	.600	580	330
101K	100	.055	5.7	3.8	.090	2.79	1.6	.208	1.2	.520	.670	550	300
121K	120	.076	5.3	3.0	.113	5.54	1.6	.283	1.1	.420	.900	470	270
151K	150	.084	4.7	3.0	.129	2.22	1.6	.340	1.0	.420	1.20	410	250
181K	180	.096	4.3	3.0	.150	1.98	1.6	.362	.95	.420	1.40	380	220
221K	220	.108	4.0	3.0	.162	1.89	1.6	.430	.86	.420	1.90	320	200
271K	270	.151	3.6	2.3	.208	1.63	1.6	.557	.77	.330	2.10	310	180
331K	330	.168	3.2	2.3	.212	1.51	1.6	.665	.70	.330	2.40	290	170
391K	390	.182	2.9	2.3	.281	1.39	1.6	.772	.64	.330	3.0	260	150
471K	470	.202	2.6	2.3	.380	1.24	1.2	1.15	.59	.315	3.40	240	140
561K	560	.348	2.4	1.4	.420	1.17	1.0	1.27	.54	.315	4.70	210	130
681K	680	.470	2.2	1.2	.548	1.05	1.0	1.61	.49	.250	6.40	180	110
821K	820	.500	2.0	1.2	.655	.97	0.8	1.96	.44	.200	7.1	170	100
102K	1000	.570	1.8	1.2	.844	.87	0.8	2.30	.40	.200	7.9	160	95
122K	1200	.648	1.70	1.200	1.04	.79	0.6	2.65	.35	.200	9.0	150	87
152K	1500	.888	1.55	0.900	1.18	.70	0.6	3.45	.33	.158	12.0	130	78
182K	1800	1.16	1.40	0.750	1.56	.64	0.6	4.03	.29	.158	14.0	120	71
222K	2200	1.20	1.25	0.750	2.00	.58	0.5	4.48	.27	.158	19.0	100	64
272K	2700	1.44	1.10	0.750	2.06	.53	0.4	5.90	.24	.125	25.0	90	58
332K	3300	1.92	1.000	0.590	2.53	.47	0.4	6.56	.220	.125	29.0	83	52
392K	3900	2.16	0.900	0.590	2.75	.43	0.4	8.63	.200	.100	34.0	77	48
472K	4700	2.50	0.850	0.590	3.19	.39	0.4	10.50	.180	.100	37.0	74	44
562K	5600	3.20	0.780	0.450	3.92	.359	0.315	13.90	.166	.082	50.0	63	40
682K	6800	4.00	0.700	0.450	5.69	.322	0.250	16.30	.151	.082	58.0	59	36
822K	8200	5.20	0.650	0.350	6.32	.293	0.250	20.80	.136	.065	68.0	54	33
103K	10000	6.00	0.600	0.350	7.30	.266	0.250	26.40	.125	.050	75.0	52	30
123K	12000	8.00	0.540	0.270	9.21	.241	0.200	29.90	.114	.050			
153K	15000	10.00	0.480	0.200	10.50	.214	0.200	42.50	.098	.039			
183K	18000	11.00	0.460	0.200	14.80	.198	0.158	48.30	.091	.039			
223K	22000	13.00	0.390	0.200	21.8	.180	0.125						
273K	27000	15.00	0.355	0.200	22.7	.162	0.125						
333K	33000	21.00	0.330	0.160	25.7	.146	0.125						
393K	39000	23.20	0.300	0.160	31.8	.135	0.100						
473K	47000	32.00	0.270	0.120	36.1	.122	0.100						
563K	56000	35.00	0.175	0.120	40.9	.112	0.100						
683K	68000	48.00	0.145	0.095	57.3	.101	0.082						
823K	82000	54.30	0.120	0.095	79.3	.090	0.065						
104K	100000	68.50	0.100	0.070	89.7	.081	0.065						
124K	120000	75.00	0.080	0.070									
154K	150000	84.30	0.060	0.070									

Note:1. K=±10%,M=±20%

TECHNICAL INFORMATION

Testing:LCR Bridge measured @ 1KHz 0.1V HP 4284A
(Equivalent acceptable)
RDC: QuadTech 1880 Milliohmeter
IDC Max: Lowers Inductance by 10%
Operating temperature: -55°C to +125°C
Shrink tube: Flame retardant UL type VW-1
Marking: Inductance and tolerance



Part Number	dimension(mm)		
	L	D[φ]	D[φ]
FALCHA0410	10.8	4	0.6±0.05
FALCHA0617	17.8	6.6	0.8±0.05
FALCHA1122	22	11	0.8±0.05
FALCHA1425	25	14	0.8±0.05

Note:All specifications subject to change without notice.