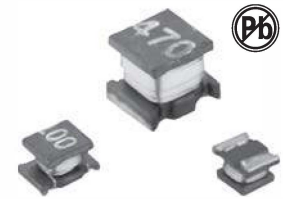


HIGH CURRENT SURFACE-MOUNT WIRE-WOUND INDUCTORS FALQH1008 SERIES



FEATURES:

Ferrite Core
High Frequency Design
Lower DCR permits High Idc
Available in E12 series
Excellent Q SRF Values
Lead free versions
RoHS compliant
Excellent Thermal Stability

OPTIONS:

Tape & Reel is Standard (Qty: 2000pcs)
Bulk packaging Available for Smaller Quantities
Tolerance: K=10%,M=20% is Standard,Tighter Tolerances Available

COMMON APPLICATIONS:

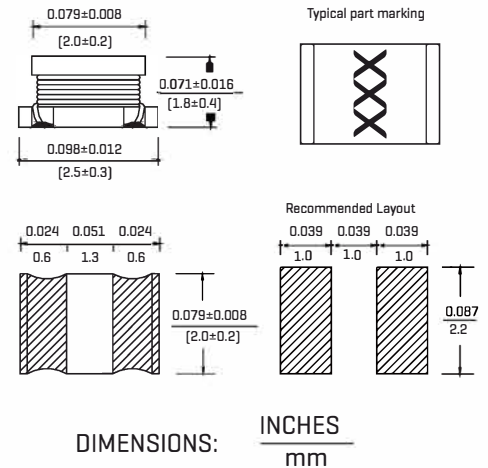
Modems PDP,LCD TVs converter
Mobile Radios DC/DC converter
Cordless Telephones Car radios
Global Positioning Systems
Wireless Communications Equipment
Networking System,xDSL Filter
Computer Products and Peripherals

STANDARD SPECIFICATION:

Part Number	L [μH]	L Test Freq [KHz]	Q [Min]	Q Test Freq [MHz]	SRF [MHz]	DCR [ohmMax]	IDC [mA Max]
FALQH-1008-1R0M	1.0	1	35	1	100	0.078	300
FALQH-1008-1R2M	1.2	1	35	1	100	0.090	290
FALQH-1008-1R5M	1.5	1	35	1	75	0.10	280
FALQH-1008-1R8M	1.8	1	35	1	60	0.11	270
FALQH-1008-2R2M	2.2	1	35	1	50	0.12	250
FALQH-1008-2R7M	2.7	1	35	1	43	0.20	240
FALQH-1008-3R3M	3.3	1	35	1	38	0.24	230
FALQH-1008-3R9M	3.9	1	35	1	35	0.28	220
FALQH-1008-4R7K	4.7	1	35	1	31	0.30	210
FALQH-1008-5R6K	5.6	1	35	1	28	0.34	205
FALQH-1008-6R8K	6.8	1	35	1	25	0.44	200
FALQH-1008-8R2K	8.2	1	35	1	23	0.59	195
FALQH-1008-100K	10	1	35	1	20	0.68	190
FALQH-1008-120K	12	1	35	1	18	0.77	185
FALQH-1008-150K	15	1	35	1	16	0.87	180
FALQH-1008-180K	18	1	35	1	15	1.20	175
FALQH-1008-220K	22	1	40	1	14	1.34	170
FALQH-1008-270K	27	1	40	1	13	1.86	165
FALQH-1008-330K	33	1	40	1	12	2.10	160
FALQH-1008-390K	39	1	40	1	11	2.35	155
FALQH-1008-470K	47	1	40	1	11	3.30	150
FALQH-1008-560K	56	1	40	1	10	3.70	145
FALQH-1008-680K	68	1	40	1	9.0	6.00	135
FALQH-1008-820K	82	1	40	1	8.0	6.90	125
FALQH-1008-101K	100	1	40	1	8.0	7.75	110

Note:1. K=±10%,M=±20%

PHYSICAL CHARACTERISTICS:



ELECTRONICAL SCHEMATIC:

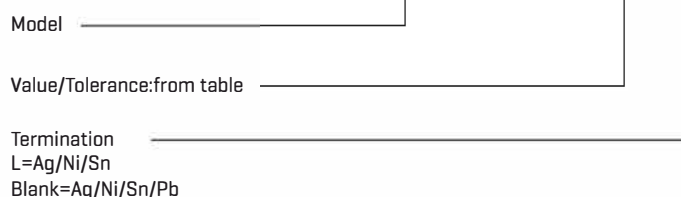


TECHNICAL INFORMATION:

- Inductance Testing: HP4291A,HP16193A,HP4286A or equivalent
- RDC:QuadTech 1880 Milliohm meter
- Q- HP4342A
- SRF-HP4191A
- Rated Current L value drop 10% typ. at IDC against its initial value
- Temperature rise 40°C Max Reference ambient temperature
- Solderability: 75% of the terminal electrode shall be covered
- Soldering Methods: Wave,Reflow
- Operating Temperature: -25°C to +85°C
- Storage Temperature: -55°C to +125°C

Note: All specifications subject to change without notice.

FALQH1008 - 100 M



HIGH CURRENT SURFACE-MOUNT WIRE-WOUND INDUCTORS FALQH1206 SERIES



FEATURES :

- Ferrite Core
- High Frequency Design
- Lower DCR permits High I_{dc}
- Available in E12 series
- Excellent Q SRF Values
- Lead free versions
- RoHS compliant
- Excellent Thermal Stability

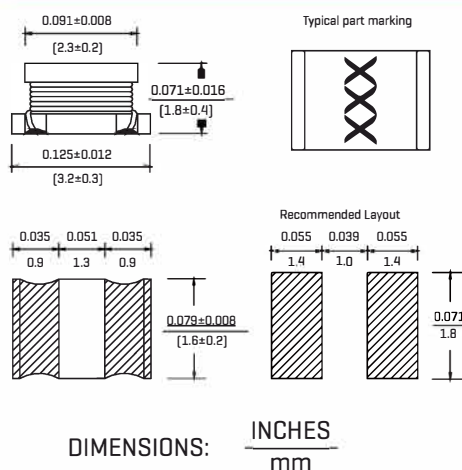
OPTIONS:

- Tape & Reel is Standard (Qty : 2000pcs)
- Bulk packaging Available for Smaller Quantities
- Tolerance : K=±10%,M=±20% is Standard,Tighter Tolerances Available

COMMON APPLICATIONS:

- Modems PDP,LCD TVs converter
- Mobile Radios DC/DC converter
- Cordless Telephones Car radios
- Global Positioning Systems
- Wireless Communications Equipment
- Networking System,xDSL Filter
- Computer Products and Peripherals

PHYSICAL CHARACTERISTICS:



STANDARD SPECIFICATION:

Part Number	L (μH)	L Test Freq (KHz)	Q (Min)	Q Test Freq (MHz)	SRF (MHz)	DCR (ohmMax)	IDC (mA Max)
FALQH-1206-1R0M	1.0	1	35	1	100	0.49	175
FALQH-1206-1R2M	1.2	1	35	1	90	0.90	165
FALQH-1206-1R5M	1.5	1	35	1	75	1.00	155
FALQH-1206-1R8M	1.8	1	35	1	60	1.60	150
FALQH-1206-2R2M	2.2	1	35	1	50	0.70	140
FALQH-1206-2R7M	2.7	1	35	1	43	0.55	135
FALQH-1206-3R3M	3.3	1	35	1	38	0.61	130
FALQH-1206-3R9M	3.9	1	35	1	35	1.50	125
FALQH-1206-4R7K	4.7	1	35	1	31	1.70	120
FALQH-1206-5R6K	5.6	1	35	1	28	1.80	115
FALQH-1206-6R8K	6.8	1	35	1	25	2.00	110
FALQH-1206-8R2K	8.2	1	35	1	23	2.20	105
FALQH-1206-100K	10	1	35	1	20	2.50	100
FALQH-1206-120K	12	1	35	1	18	2.70	95
FALQH-1206-150K	15	1	35	1	16	3.00	90
FALQH-1206-180K	18	1	35	1	15	3.40	85
FALQH-1206-220K	22	1	40	1	14	3.10	85
FALQH-1206-270K	27	1	40	1	13	3.40	85
FALQH-1206-330K	33	1	40	1	12	3.80	80
FALQH-1206-390K	39	1	40	1	11	7.20	85
FALQH-1206-470K	47	1	40	1	10	8.00	85
FALQH-1206-560K	56	1	40	1	9.0	8.90	50
FALQH-1206-680K	68	1	40	1	8.5	9.90	50
FALQH-1206-820K	82	1	40	1	7.5	11.00	45
FALQH-1206-101K	100	1	40	1	7.0	12.00	45

ELECTRONICAL SCHEMATIC:



TECHNICAL INFORMATION:

- Inductance Testing: HP4291A,HP16193A,HP4286A or equivalent
- RDC:QuadTech 1880 Milliohm meter
- Q- HP4342A
- SRF-HP4191A
- Rated Current L value drop 10% typ. at IDC against its initial value
- Temperature rise 40°C Max Reference ambient temperature
- Solderability: 75% of the terminal electrode shall be covered
- Soldering Methods: Wave,Reflow
- Operating Temperature: -25°C to +85°C
- Storage Temperature: -55°C to +125°C

Note: All specifications subject to change without notice.

Note: 1. K=±10%,M=±20%

FALQH1206 - 100 M

Model _____

Value/Tolerance: from table _____

Termination _____

L=Ag/Ni/Sn
Blank=Ag/Ni/Sn/Pb

HIGH CURRENT SURFACE-MOUNT WIRE-WOUND INDUCTORS FALQH1210 SERIES



FEATURES :

Ferrite Core
High Frequency Design
Lower DCR permits High Idc
Available in E12 series
Excellent Q SRF Values
Lead free versions
RoHS compliant
Excellent Thermal Stability

OPTIONS:

Tape & Reel is Standard
[Qty: 2000pcs]
Bulk packaging Available
for Smaller Quantities
Tolerance: K=10%,M=20% is
Standard,Tighter Tolerances Available

COMMON APPLICATIONS:

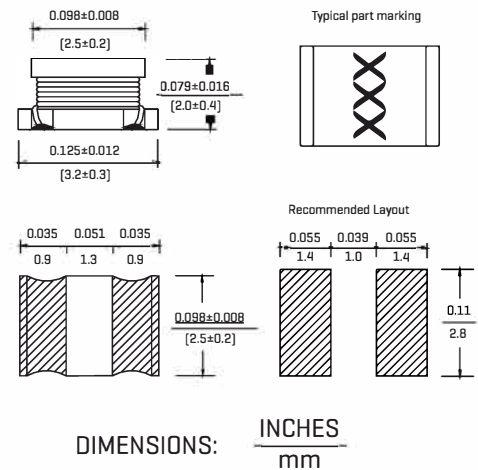
Modems PDP,LCD TVs converter
Mobile Radios DC/DC converter
Cordless Telephones Car radios
Global Positioning Systems
Wireless Communications Equipment
Networking System,xDSL Filter
Computer Products and Peripherals

STANDARD SPECIFICATION:

Part Number	L [μH]	L Test Freq [KHz]	Q [Min]	Q Test Freq [MHz]	SRF [MHz]	DCR [ohmMax]	IDC [mA Max]
FALQH-1210-R10M	0.1	1	10	25.2	200	0.25	700
FALQH-1210-R18M	0.18	1	10	25.2	200	0.25	650
FALQH-1210-R27M	0.27	1	10	25.2	200	0.25	600
FALQH-1210-R39M	0.39	1	10	25.2	200	0.25	530
FALQH-1210-R56M	0.56	1	10	25.2	160	0.25	530
FALQH-1210-R68M	0.68	1	10	25.2	160	0.25	470
FALQH-1210-R82M	0.82	1	10	25.21	120	0.25	450
FALQH-1210-1R0M	1.0	1	10	1	100	0.5	445
FALQH-1210-1R2M	1.2	1	10	1	100	0.6	425
FALQH-1210-1R5M	1.5	1	10	1	75	0.6	400
FALQH-1210-1R8M	1.8	1	10	1	60	0.7	390
FALQH-1210-2R2M	2.2	1	10	1	50	0.8	370
FALQH-1210-2R7M	2.7	1	10	1	43	0.9	320
FALQH-1210-3R3M	3.3	1	10	1	38	1.0	300
FALQH-1210-3R9M	3.9	1	10	1	35	1.1	290
FALQH-1210-4R7K	4.7	1	20	1	31	1.2	270
FALQH-1210-5R6K	5.6	1	20	1	28	1.3	250
FALQH-1210-6R8K	6.8	1	20	1	25	1.5	240
FALQH-1210-8R2K	8.2	1	20	1	23	1.6	225
FALQH-1210-100K	10	1	25	1	20	1.8	190
FALQH-1210-120K	12	1	25	1	18	2.0	180
FALQH-1210-150K	15	1	25	1	16	2.2	170
FALQH-1210-180K	18	1	25	1	15	2.5	165
FALQH-1210-220K	22	1	25	1	14	2.8	150
FALQH-1210-270K	27	1	25	1	13	3.1	125
FALQH-1210-330K	33	1	25	1	12	3.5	115
FALQH-1210-390K	39	1	25	1	11	3.9	110
FALQH-1210-470K	47	1	25	1	11	4.3	100
FALQH-1210-560K	56	1	25	1	10	4.9	85
FALQH-1210-680K	68	1	25	1	9.0	5.5	80
FALQH-1210-820K	82	1	25	1	8.5	6.2	70
FALQH-1210-101K	100	1	30	0.796	8.0	7.0	80
FALQH-1210-121K	120	1	30	0.796	7.5	8.0	75
FALQH-1210-151K	150	1	30	0.796	7.0	9.3	70
FALQH-1210-181K	180	1	30	0.796	6.0	10.2	65
FALQH-1210-221K	220	1	30	0.796	5.5	11.8	65
FALQH-1210-271K	270	1	30	0.796	5.0	12.5	65
FALQH-1210-331K	330	1	30	0.796	5.0	13.0	65
FALQH-1210-391K	390	1	30	0.796	5.0	22.0	50
FALQH-1210-471K	470	0.001	30	0.796	5.0	25.0	45
FALQH-1210-561K	560	0.001	30	0.796	5.0	28.0	40

Note:1. K=±10%,M=±20%

PHYSICAL CHARACTERISTICS:

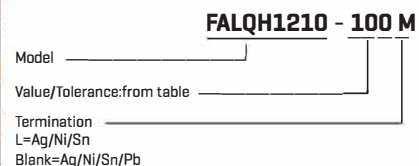


ELECTRONICAL SCHEMATIC:

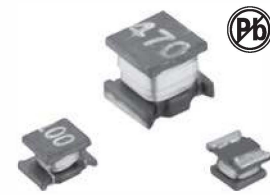


TECHNICAL INFORMATION:

- Inductance Testing: HP4291A,HP16193A,HP4286A or equivalent
- RDC:QuadTech 1880 Milliohm meter
- Q- HP4342A
- SRF-HP4191A
- Rated Current L value drop 10% typ.at IDC against its initial value
- Temperature rise 40°C Max Reference ambient temperature
- Solderability: 75% of the terminal electrode shall be covered
- Soldering Methods: Wave,Reflow
- Operating Temperature:-25°C to +85°C
- Storage Temperature: -55°C to +125°C
- Note: All specifications subject to change without notice.



HIGH CURRENT SURFACE-MOUNT WIRE-WOUND INDUCTORS FALQH1812 SERIES



FEATURES :

- Ferrite Core
- High Frequency Design
- Lower DCR permits High Idc
- Available in E12 series
- Excellent Q SRF Values
- Lead free versions
- RoHS compliant
- Excellent Thermal Stability

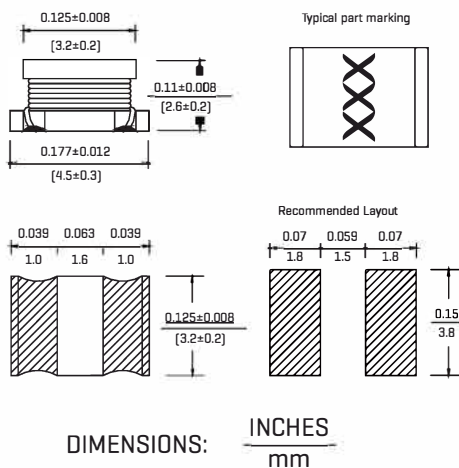
OPTIONS:

- Tape & Reel is Standard [Qty: 500pcs]
- Bulk packaging Available for Smaller Quantities
- Tolerance: K=10%,M=20% is Standard,Tighter Tolerances Available

COMMON APPLICATIONS:

- Modems PDP,LCD TVs converter
- Mobile Radios DC/DC converter
- Cordless Telephones Car radios
- Global Positioning Systems
- Wireless Communications Equipment
- Networking System,xDSL Filter
- Computer Products and Peripherals

PHYSICAL CHARACTERISTICS:



STANDARD SPECIFICATION:

Part Number	L [μH]	L Test Freq [KHz]	Q [Min]	Q Test Freq [MHz]	SRF [MHz]	DCR [ohmMax]	IDC [mA Max]
FALQH-1812-1R0M	1.0	1	20	1	120	0.20	550
FALQH-1812-1R2M	1.2	1	20	1	100	0.25	530
FALQH-1812-1R5M	1.5	1	20	1	85	0.28	500
FALQH-1812-1R8M	1.8	1	20	1	75	0.30	500
FALQH-1812-2R2M	2.2	1	20	1	62	0.30	500
FALQH-1812-2R7M	2.7	1	20	1	53	0.32	500
FALQH-1812-3R3M	3.3	1	20	1	47	0.35	500
FALQH-1812-3R9M	3.9	1	20	1	42	0.38	500
FALQH-1812-4R7M	4.7	1	30	1	38	0.40	500
FALQH-1812-5R6K	5.6	1	30	1	35	0.47	500
FALQH-1812-6R8K	6.8	1	30	1	32	0.50	500
FALQH-1812-8R2K	8.2	1	30	1	28	0.56	500
FALQH-1812-100K	10	1	35	1	24	0.56	450
FALQH-1812-120K	12	1	35	1	22	0.62	450
FALQH-1812-150K	15	1	35	1	19	0.73	390
FALQH-1812-180K	18	1	35	1	17	0.82	370
FALQH-1812-220K	22	1	35	1	15	0.94	350
FALQH-1812-270K	27	1	35	1	14	1.1	330
FALQH-1812-330K	33	1	35	1	12	1.2	310
FALQH-1812-390K	39	1	35	1	11	1.4	280
FALQH-1812-470K	47	1	35	1	10	1.5	250
FALQH-1812-560K	56	1	35	1	9.5	1.7	225
FALQH-1812-680K	68	1	35	1	8.5	1.9	200
FALQH-1812-820K	82	1	35	1	7.5	2.2	185
FALQH-1812-101K	100	1	35	0.796	8.8	2.5	175
FALQH-1812-121K	120	1	40	0.796	6.2	3.0	165
FALQH-1812-151K	150	1	40	0.796	5.5	3.7	155
FALQH-1812-181K	180	1	40	0.796	5.0	4.5	135
FALQH-1812-221K	220	1	40	0.796	4.5	5.4	125
FALQH-1812-271K	270	1	40	0.796	4.0	6.8	115
FALQH-1812-331K	330	1	40	0.796	3.7	8.2	100
FALQH-1812-391K	390	1	40	0.796	3.3	9.7	90
FALQH-1812-471K	470	0.001	40	0.796	3.0	12	80
FALQH-1812-561K	560	0.001	40	0.796	2.7	15	70
FALQH-1812-681K	680	0.001	40	0.796	2.5	17	65
FALQH-1812-821K	820	0.001	40	0.796	2.2	21	60
FALQH-1812-102K	1000	0.001	40	0.252	2.0	25	50
FALQH-1812-122K	1200	0.001	40	0.252	1.8	30	45
FALQH-1812-152K	1500	0.001	40	0.252	1.6	37	40
FALQH-1812-182K	1800	0.001	40	0.252	1.5	45	35
FALQH-1812-222K	2200	0.001	40	0.252	1.3	50	30

Note:1. K=±10%,M=±20%

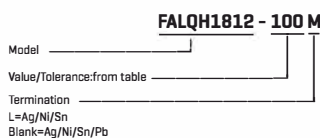
ELECTRONICAL SCHEMATIC:



TECHNICAL INFORMATION:

- Inductance Testing: HP4291A,HP16193A,HP4286A or equivalent
- RDC:QuadTech 1880 Milliohm meter
- Q- HP4342A
- SRF-HP4191A
- Rated Current L value drop10%typ.at IDCagainst its initial value
- Temperature rise 40°C Max Reference ambient temperature
- Solderability: 75% of the terminal electrode shall be covered
- Soldering Methods: Wave,Reflow
- Operating Temperature:-25°C to +85°C
- Storage Temperature: -55°C to +125°C

Note: All specifications subject to change without notice.



HIGH CURRENT SURFACE-MOUNT WIRE-WOUND INDUCTORS FALQH2220 SERIES



FEATURES :

Ferrite Core
High Frequency Design
Lower DCR permits High Idc
Available in E12 series
Excellent Q SRF Values
Lead free versions
RoHS compliant
Excellent Thermal Stability

OPTIONS:

Tape & Reel is Standard
(Qty : 500pcs)
Bulk packaging Available
for Smaller Quantities
Tolerance : K=10%,M=20% is
Standard,Tighter Tolerances Available

COMMON APPLICATIONS:

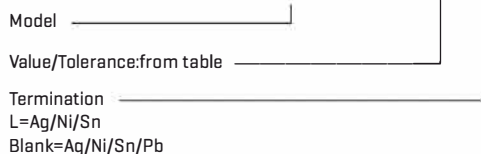
Modems PDP.LCD TVs converter
Mobile Radios DC/DC converter
Cordless Telephones Car radios
Global Positioning Systems
Wireless Communications Equipment
Networking System,xDSL Filter
Computer Products and Peripherals

STANDARD SPECIFICATION:

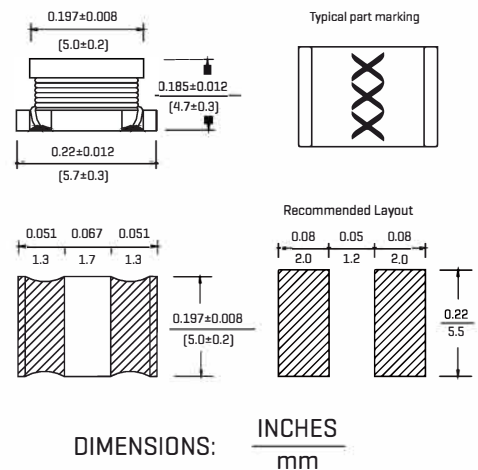
Part Number	L [μH]	L Test Freq [KHz]	Q [Min]	Q Test Freq [MHz]	SRF [MHz]	DCR [ohmMax]	IDC [A Max]
FALQH-2220-R12M	0.12	1	10	1	450	0.010	6.0
FALQH-2220-R27M	0.27	1	10	1	300	0.014	5.3
FALQH-2220-R47M	0.47	1	10	1	200	0.018	4.8
FALQH-2220-1R0M	1.0	1	20	1	150	0.027	4.0
FALQH-2220-1R5M	1.5	1	20	1	110	0.031	3.7
FALQH-2220-2R2M	2.2	1	20	1	80	0.041	3.2
FALQH-2220-3R3M	3.3	1	20	1	40	0.050	2.9
FALQH-2220-4R7M	4.7	1	30	1	30	0.057	2.7
FALQH-2220-6R8M	6.8	1	30	1	25	0.10	2.0
FALQH-2220-100K	10	1	35	1	20	0.13	1.7
FALQH-2220-150K	15	1	35	1	17	0.21	1.4
FALQH-2220-220K	22	1	35	1	15	0.27	1.2
FALQH-2220-330K	33	1	35	1	12	0.45	0.9
FALQH-2220-470K	47	1	35	1	10	0.56	0.8
FALQH-2220-680K	68	1	35	1	7.6	0.94	0.64
FALQH-2220-101K	100	0.1	35	0.796	6.5	1.20	0.56
FALQH-2220-151K	150	0.1	40	0.796	5.0	2.66	0.42
FALQH-2220-221K	220	0.1	40	0.796	4.0	3.36	0.32
FALQH-2220-331K	330	0.1	40	0.796	3.1	6.16	0.27
FALQH-2220-471K	470	0.1	40	0.796	2.4	7.56	0.24
FALQH-2220-681K	680	0.1	40	0.796	1.9	11.3	0.19
FALQH-2220-102K	1000	0.01	40	0.796	1.7	14.4	0.15
FALQH-2220-152K	1500	0.01	40	0.796	1.2	30.1	0.10
FALQH-2220-222K	2200	0.01	40	0.796	1.1	45.0	0.09
FALQH-2220-332K	3300	0.01	40	0.796	1.0	50.0	0.08
FALQH-2220-472K	4700	0.01	40	0.796	0.8	61.0	0.07
FALQH-2220-682K	6800	0.01	40	0.796	0.7	100	0.06
FALQH-2220-822K	8200	0.01	40	0.796	0.6	125	0.05
FALQH-2220-103K	10000	0.01	40	0.796	0.5	140	0.05

Note:1. K=±10%,M=±20%

FALQH2220 - 100 M



PHYSICAL CHARACTERISTICS:



ELECTRONICAL SCHEMATIC:



TECHNICAL INFORMATION:

- Inductance Testing: HP4291A,HP16193A,HP4286A or equivalent
- RDC:QuadTech 1880 Milliohm meter
- Q- HP4342A
- SRF-HP4191A
- Rated Current L value drop10%typ.at IDCagainst its initial value
- Temperature rise 40°C Max Reference ambient temperature
- Solderability: 75% of the terminal electrode shall be covered
- Soldering Methods: Wave,Reflow
- Operating Temperature:-25°C to +85°C
- Storage Temperature: -55°C to +125°C

Note: All specifications subject to change without notice.

HIGH CURRENT SURFACE-MOUNT WIRE-WOUND INDUCTORS FALQH1206C SERIES



FEATURES :

- Ceramic Core
- High Frequency Design
- Lower DCR permits High I_{dc}
- Available in E12 series
- Excellent Q SRF Values
- Lead free versions
- RoHS compliant
- Excellent Thermal Stability

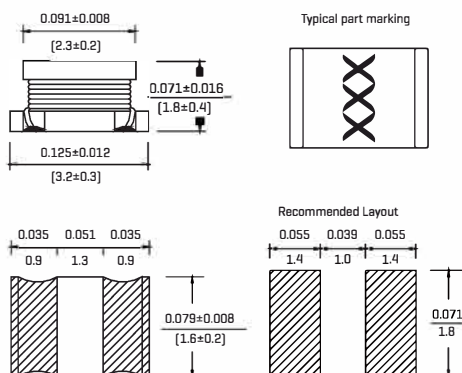
OPTIONS:

- Tape & Reel is Standard [Qty: 2000pcs]
- Bulk packaging Available for Smaller Quantities
- Tolerance: K=10%,M=20% is Standard,Tighter Tolerances Available

COMMON APPLICATIONS:

- Modems PDP,LCD TVs converter
- Mobile Radios DC/DC converter
- Cordless Telephones Car radios
- Global Positioning Systems
- Wireless Communications Equipment
- Networking System,xDSL Filter
- Computer Products and Peripherals

PHYSICAL CHARACTERISTICS:



DIMENSIONS: INCHES
mm

STANDARD SPECIFICATION:

Part Number	L [μH]	L Test Freq [KHz]	Q [Min]	Q Test Freq [MHz]	SRF [MHz]	DCR [ohmMax]	IDC [mA Max]
FALQH-1206C-R12M	0.12	1	10	1	250	0.112	970
FALQH-1206C-R22M	0.22	1	10	1	250	0.140	850
FALQH-1206C-R47M	0.47	1	10	1	180	0.210	700
FALQH-1206C-1R0M	1.0	1	20	1	100	0.392	510
FALQH-1206C-2R2M	2.2	1	20	1	50	0.574	430
FALQH-1206C-4R7M	4.7	1	20	1	31	0.910	340
FALQH-1206C-100K	10	1	20	1	20	1.82	230
FALQH-1206C-220K	22	1	20	1	14	4.20	160
FALQH-1206C-470K	47	1	20	1	10	11.2	100
FALQH-1206C-101K	100	1	30	0.796	7.0	16.8	80

Note:1. K=±10%,M=±20%

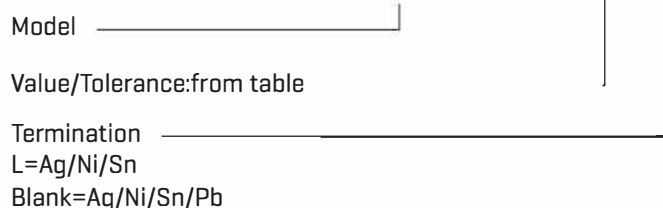
ELECTRONICAL SCHEMATIC:



TECHNICAL INFORMATION:

- Inductance Testing: HP4291A,HP16193A,HP4286A or equivalent
 - RDC:QuadTech 1880 Milliohm meter
 - Q- HP4342A
 - SRF-HP4191A
 - Rated Current L value drop 10% typ. at IDC against its initial value
 - Temperature rise 40°C Max Reference ambient temperature
 - Solderability: 75% of the terminal electrode shall be covered
 - Soldering Methods: Wave,Reflow
 - Operating Temperature: -25°C to +85°C
 - Storage Temperature: -55°C to +125°C
- Note: All specifications subject to change without notice.

FALQH1206C - 100 M



HIGH CURRENT SURFACE-MOUNT WIRE-WOUND INDUCTORS FALQH1210C SERIES



FEATURES :

- Ceramic Core
- High Frequency Design
- Lower DCR permits High Idc
- Available in E12 series
- Excellent Q SRF Values
- Lead free versions
- RoHS compliant
- Excellent Thermal Stability

OPTIONS:

- Tape & Reel is Standard (Qty: 2000pcs)
- Bulk packaging Available for Smaller Quantities
- Tolerance : K= 10%,M=20% is Standard,Tighter Tolerances Available

COMMON APPLICATIONS:

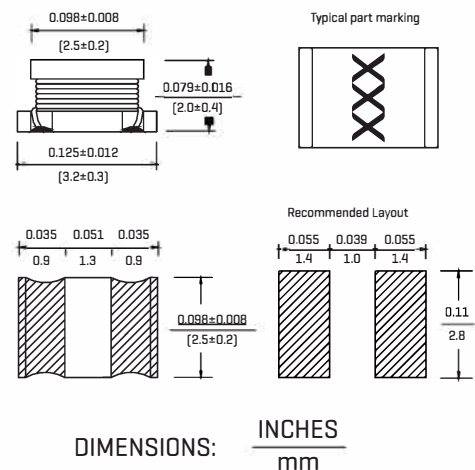
- Modems PDP,LCD TVs converter
- Mobile Radios DC/DC converter
- Cordless Telephones Car radios
- Global Positioning Systems
- Wireless Communications Equipment
- Networking System,xDSL Filter
- Computer Products and Peripherals

STANDARD SPECIFICATION:

Part Number	L (μH)	L Test Freq (KHz)	Q (Min)	Q Test Freq (MHz)	SRF (MHz)	DCR (ohmMax)	IDC (mA Max)
FALQH-1210C-1R0M	1.0	1	10	1	96	0.117	800
FALQH-1210C-2R2M	2.2	1	10	1	64	0.169	600
FALQH-1210C-4R7M	4.7	1	10	1	43	0.260	450
FALQH-1210C-100K	10	1	20	1	26	0.572	300
FALQH-1210C-220K	22	1	20	1	19	0.923	250
FALQH-1210C-470K	47	1	20	1	15	1.69	170
FALQH-1210C-101K	100	1	30	0.796	10	4.55	100
FALQH-1210C-221K	220	1	30	0.796	6.8	10.9	70
FALQH-1210C-331K	330	1	30	0.796	5.6	13.0	60
FALQH-1210C-391K	390	1	30	0.796	5.0	22.1	60
FALQH-1210C-471K	470	1	30	0.796	5.0	24.7	60
FALQH-1210C-561K	560	0.001	30	0.796	5.0	28.6	60

Note:1. K=±10%,M=±20%

PHYSICAL CHARACTERISTICS:



ELECTRONICAL SCHEMATIC:

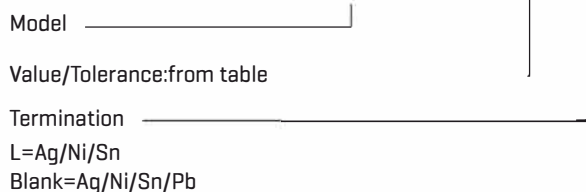


TECHNICAL INFORMATION:

- Inductance Testing: HP4291A,HP16193A,HP4286A or equivalent
- DC:QuadTech 1880 Milliohmmeter
- Q- HP4342A
- SRF-HP4191A
- Rated Current L value drop10%typ.atIDC against its initial value
- Temperature rise 40°C Max Reference ambient temperature
- Solderability: 75% of the terminal electrode shall be covered
- Soldering Methods: Wave,Reflow
- Operating Temperature:-25°C to +85°C
- Storage Temperature: -55°C to +125°C

Note: All specifications subject to change without notice.

FALQH1210C - 100 M



HIGH CURRENT SURFACE-MOUNT WIRE-WOUND INDUCTORS FALQH1812C SERIES



FEATURES :

- Ceramic Core
- High Frequency Design
- Lower DCR permits High Idc
- Available in E12 series
- Excellent Q SRF Values
- Lead free versions
- RoHS compliant
- Excellent Thermal Stability

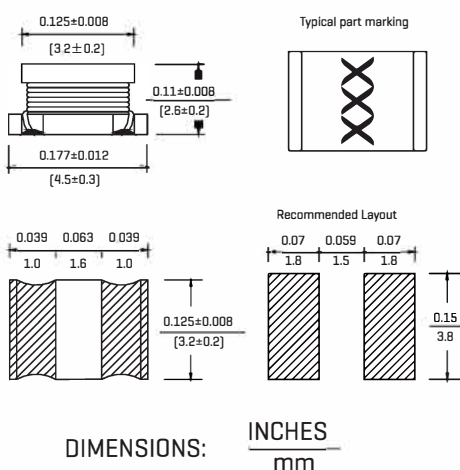
OPTIONS:

- Tape & Reel is Standard (Qty: 5000pcs)
- Bulk packaging Available for Smaller Quantities
- Tolerance: K=10%,M=20% is Standard,Tighter Tolerances Available

COMMON APPLICATIONS:

- Modems PDP.LCD TVs converter
- Mobile Radios DC/DC converter
- Cordless Telephones Car radios
- Global Positioning Systems
- Wireless Communications Equipment
- Networking System,xDSL Filter
- Computer Products and Peripherals

PHYSICAL CHARACTERISTICS:



STANDARD SPECIFICATION:

Part Number	L (μH)	L Test Freq (KHz)	Q (Min)	Q Test Freq (MHz)	SRF (MHz)	DCR [ohmMax]	IDC (mA Max)
FALQH-1812C-1R0M	1.0	1	10	1	100	0.08	1080
FALQH-1812C-1R5M	1.5	1	10	1	85	0.09	1000
FALQH-1812C-2R2M	2.2	1	10	1	60	0.11	900
FALQH-1812C-3R3M	3.3	1	10	1	47	0.13	800
FALQH-1812C-4R7M	4.7	1	10	1	35	0.15	750
FALQH-1812C-6R8M	6.8	1	10	1	30	0.20	720
FALQH-1812C-100K	10.0	1	20	1	23	0.24	650
FALQH-1812C-150K	15.0	1	20	1	20	0.32	570
FALQH-1812C-220K	22.0	1	20	1	15	0.60	420
FALQH-1812C-330K	33.0	1	20	1	12	1.00	310
FALQH-1812C-470K	47.0	1	20	1	10	1.10	280
FALQH-1812C-680K	68.0	1	20	1	8.4	1.70	220
FALQH-1812C-101K	100	1	20	0.796	6.8	2.20	190
FALQH-1812C-151K	150	1	30	0.796	5.5	3.50	130
FALQH-1812C-221K	220	1	30	0.796	4.5	4.00	110
FALQH-1812C-331K	330	1	30	0.796	3.6	6.80	100
FALQH-1812C-471K	470	1	30	0.796	3.0	8.50	90

Note:1. K=±10%,M=±20%

ELECTRONICAL SCHEMATIC



TECHNICAL INFORMATION

- Inductance Testing: HP4291A,HP16193A,HP4286A or equivalent
 - RDC:QuadTech 1880 Milliohm meter
 - Q- HP4342A
 - SRF-HP4191A
 - Rated Current L value drop 10% typ. at IDC against its initial value
 - Temperature rise 40°C Max Reference ambient temperature
 - Solderability: 75% of the terminal electrode shall be covered
 - Soldering Methods: Wave,Reflow
 - Operating Temperature: -25°C to +85°C
 - Storage Temperature: -55°C to +125°C
- Note: All specifications subject to change without notice.

FALQH1812C - 100 M

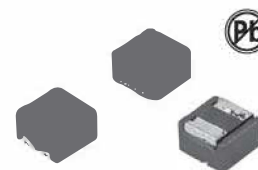
Model _____

Value/Tolerance: from table

Termination _____

L=Ag/Ni/Sn
Blank=Ag/Ni/Sn/Pb

HIGH CURRENT SURFACE-MOUNT WIRE-WOUND INDUCTORS FALQH1210C SERIES



FEATURES:

Ferrite shielded structure
 High Frequency Design
 Lower DCR permits High Idc
 Available in E12 series
 Excellent Q SRF Values
 Lead free versions
 RoHS compliant
 Excellent Thermal Stability

OPTIONS:

Tape & Reel is Standard
 [Qty: 2000pcs]
 Bulk packaging Available
 for Smaller Quantities
 Tolerance: K=10%,M=20% is
 Standard,Tighter Tolerances Available

COMMON APPLICATIONS:

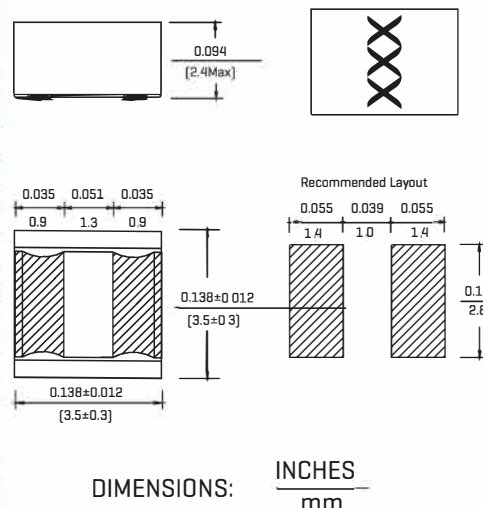
Modems PDP.LCD TVs converter
 Mobile Radios DC/DC converter
 Cordless Telephones Car radios
 Global Positioning Systems
 Wireless Communications Equipment
 Networking System,xDSL Filter
 Computer Products and Peripherals

STANDARD SPECIFICATION:

Part Number	L [μH]	L Test Freq [KHz]	Q [Min]	Q Test Freq [MHz]	SRF [MHz]	DCR [ohmMax]	IDC [mA Max]
FALQH-1210S-1R0M	1.0	1	30	1	120	0.02	1000
FALQH-1210S-2R2M	2.2	1	30	1	60	0.06	800
FALQH-1210S-4R7M	4.7	1	35	1	35	0.11	600
FALQH-1210S-100K	10	1	35	1	22	0.15	300
FALQH-1210S-220K	22	1	40	1	15	0.32	180
FALQH-1210S-470K	47	1	45	1	12	0.64	150
FALQH-1210S-101K	100	1	45	0.796	9.0	1.74	90
FALQH-1210S-221K	220	1	50	0.796	6.0	4.51	80
FALQH-1210S-331K	330	1	50	0.796	4.2	8.63	70
FALQH-1210S-391K	390	1	50	0.796	3.8	9.11	60
FALQH-1210S-471K	470	1	50	0.796	3.5	9.52	50
FALQH-1210S-561K	560	1	50	0.796	3.0	10.14	50
FALQH-1210S-681K	680	1	50	0.796	2.6	11.83	40
FALQH-1210S-102K	1000	1	50	0.796	2.1	14.3	30
FALQH-1210S-152K	1500	1	50	0.796	1.7	29.9	25
FALQH-1210S-222K	2200	1	50	0.796	1.5	36.4	20

Note:1. K=±10%,M=±20%

PHYSICAL CHARACTERISTICS:



ELECTRONICAL SCHEMATIC:



FALQH1210S - 100 M

Model _____

Value/Tolerance:from table

Termination _____

L=Ag/Ni/Sn
 Blank=Ag/Ni/Sn/Pb

TECHNICAL INFORMATION:

- Inductance Testing: HP4291A,HP16193A,HP4286A or equivalent
- RDC:QuadTech 1880 Milliohm meter
- Q- HP4342A
- SRF-HP4191A
- Rated Current L value drop10%typ.atIDCagainst its initial value
- Temperature rise 40°C Max Reference ambient temperature
- Solderability: 75% of the terminal electrode shall be covered
- Soldering Methods: Wave,Reflow
- Operating Temperature:-25°C to +85°C
- Storage Temperature: -55°C to +125°C

Note: All specifications subject to change without notice.

HIGH CURRENT SURFACE-MOUNT WIRE-WOUND INDUCTORS FALQH2220S SERIES



FEATURES :

- Ferrite shielded structure
- High Frequency Design
- Lower DCR permits High Idc
- Available in E12 series
- Excellent Q SRF Values
- Lead free versions
- RoHS compliant
- Excellent Thermal Stability

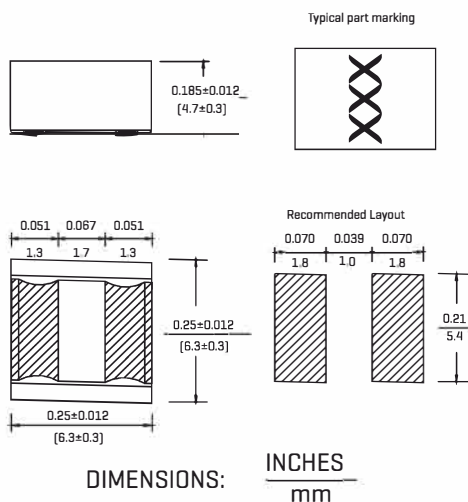
OPTIONS:

- Tape & Reel is Standard [Qty: 500pcs]
- Bulk packaging Available for Smaller Quantities
- Tolerance: K=10%,M=20% is Standard,Tighter Tolerances Available

COMMON APPLICATIONS:

- Modems PDP,LCD TVs converter
- Mobile Radios DC/DC converter
- Cordless Telephones Car radios
- Global Positioning Systems
- Wireless Communications Equipment
- Networking System,xDSL Filter
- Computer Products and Peripherals

PHYSICAL CHARACTERISTICS:



STANDARD SPECIFICATION:

Part Number	L (μH)	L Test Freq (KHz)	Q (Min)	Q Test Freq (MHz)	SRF (MHz)	DCR (ohmMax)	IDC (mA Max)
FALQH-2220S-R27M	0.27	1	20	1	300	0.007	6000
FALQH-2220S-R68M	0.68	1	20	1	180	0.010	5300
FALQH-2220S-1R0M	1.0	1	30	1	150	0.013	4700
FALQH-2220S-1R5M	1.5	1	30	1	110	0.016	3800
FALQH-2220S-2R2M	2.2	1	30	1	80	0.019	3300
FALQH-2220S-3R3M	3.3	1	30	1	40	0.022	2600
FALQH-2220S-4R7M	4.7	1	30	1	30	0.025	2200
FALQH-2220S-6R8M	6.8	1	30	1	25	0.029	1800
FALQH-2220S-100K	10	1	30	1	20	0.036	1600
FALQH-2220S-150K	15	1	35	1	17	0.069	1300
FALQH-2220S-220K	22	1	35	1	15	0.087	1100
FALQH-2220S-470K	33	1	35	1	12	0.14	860
FALQH-2220S-680K	47	1	35	1	10	0.17	760
FALQH-2220S-101K	68	1	35	1	7.6	0.29	600
FALQH-2220S-151K	100	0.1	40	0.796	6.5	0.36	520
FALQH-2220S-221K	150	0.1	45	0.796	5.5	0.63	420
FALQH-2220S-331K	220	0.1	45	0.796	4.0	0.79	350
FALQH-2220S-391K	330	0.1	45	0.796	3.2	1.8	280
FALQH-2220S-471K	470	0.1	50	0.796	2.5	2.2	240
FALQH-2220S-681K	680	0.1	50	0.796	2.0	3.9	200
FALQH-2220S-102K	1000	0.01	50	0.252	1.7	4.9	160
FALQH-2220S-222K	2200	0.01	50	0.252	1.2	9.4	100
FALQH-2220S-472K	4700	0.01	50	0.252	0.8	19.5	70
FALQH-2220S-103K	10000	0.01	50	0.252	0.5	39.7	50

Note:1. K=±10%,M=±20%

ELECTRONICAL SCHEMATIC



TECHNICAL INFORMATION

- Inductance Testing: HP4291A,HP16193A,HP4286A or equivalent
- RDC:QuadTech 1880 Milliohm meter
- Q- HP4342A
- SRF-HP4191A
- IDC Max: L value drop 10% typ. at IDC against its initial value
- Temperature rise 40°C Max Reference ambient temperature
- Solderability: 75% of the terminal electrode shall be covered
- Soldering Methods: Wave,Reflow
- Operating Temperature:-25°C to +85°C
- Storage Temperature: -55°C to +125°C

Note: All specifications subject to change without notice.

FALQH2220S - 100 M

Model _____

Value/Tolerance:from table

Termination _____

L=Ag/Ni/Sn
Blank=Ag/Ni/Sn/Pb