

FRAME CORE CHOKES FAPK17 001 SERIES



FEATURES:

Rated voltage[V]:85 to 265VAC ,50/60Hz.
 Insulation resistance:100m Ω M in at 5000C.
 Turns ratio:N1:N2=1:1 \pm 2%.
 Test Frequency Response:10KHz,100mV.
 Hi-Pot: Pri-Sec:1500VA ac/1mA/60Second.
 Operating temperature range: -40 $^{\circ}$ C to +105 $^{\circ}$ C.
 Temperature Rise:40 $^{\circ}$ C Max.
 All parts meet ROHS compliance.
 Weight:approximately 11.5g.

PRODUCT IDENTIFICATION:

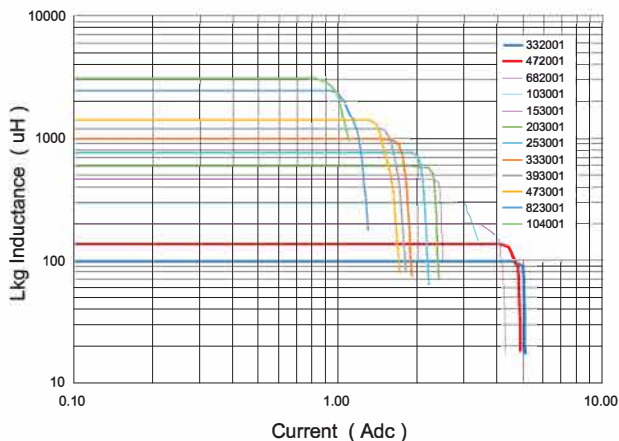
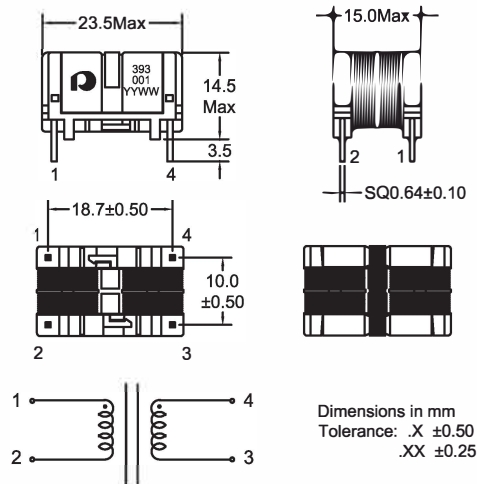
$\frac{PK}{a} \frac{17}{b} \frac{103}{c} \frac{001}{d}$
 a:Series name
 b:Product dimensions
 c:Inductance Value[101:100uH;102;1000uH;103:10000uH]
 d:Classification of air gap in magnetic core

ELECTRICAL CHARACTERISTICS

Part Number	Inductance [mH]+50%-30%	Leakage Inductance [uH]Typ	Saturation Current[A] >90%LOA[$\times 2+3$]	D.C.Resistance [m Ω] Typ at 20 $^{\circ}$ C	Rated current [A]
FAPK17-104001	100	3000	0.6	3000	0.3
FAPK17-823001	82	2400	0.7	2200	0.35
FAPK17-473001	47	1400	0.9	1280	0.45
FAPK17-393001	39	1200	1.0	1000	0.5
FAPK17-333001	33	985	1.2	800	0.6
FAPK17-253001	25	750	1.5	670	0.65
FAPK17-203001	20	585	1.8	440	0.75
FAPK17-153001	15	455	2.0	350	0.85
FAPK17-103001	10	295	2.5	235	1.0
FAPK17-682001	6.8	195	3.5	155	1.3
FAPK17-472001	4.7	135	4.0	115	1.6
FAPK17-332001	3.3	96	4.5	78	2.0

TECHNICAL INFORMATION CURRENT[ADC]

DIMENSIONS:MM



FRAME CORE CHOKES FAPK17 002 SERIES



FEATURES:

- Rated voltage[V]:85 to 265VAC, 50/60Hz.
- Insulation resistance:100m Ω Min at 500DC.
- Turns ratio:N1:N2=1:1 \pm 2%.
- Test Frequency Response:10KHz,100mV.
- Hi-Pot: Pri-Sec: 1500VA ac/1mA/60S second.
- Operating temperature range: -40 $^{\circ}$ C to +105 $^{\circ}$ C.
- Temperature Rise: 40 $^{\circ}$ C Max.
- All parts meet ROHS compliance.
- Weight:approximately 11.5g.

PRODUCT IDENTIFICATION:

$\frac{PK}{a} \frac{17}{b} \frac{103}{c} \frac{001}{d}$

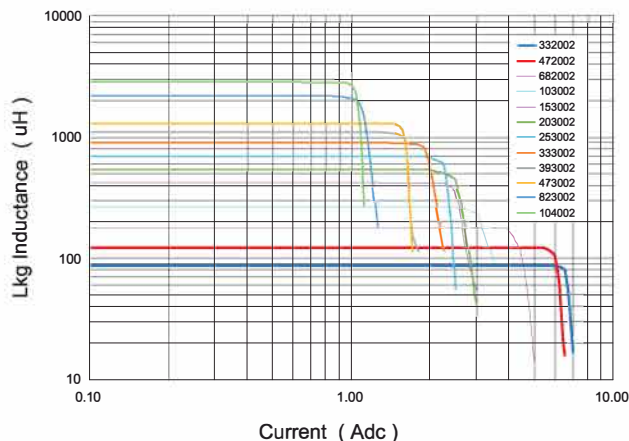
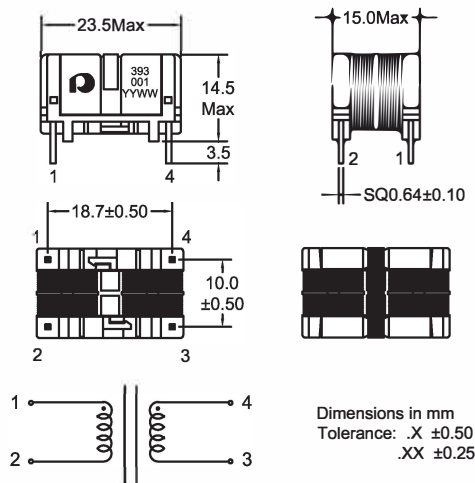
- a:Series name
- b:Product dimensions
- c:Inductance Value (101:100 μ H;102;1000 μ H;103:10000 μ H)
- d:Classification of air gap in magnetic core

ELECTRICAL CHARACTERISTICS

Part Number	Inductance [mH]+50%-30%	Leakage Inductance [μ H]Typ	Saturation Current[A] >90%LOA[tie2+3]	D.C. Resistance [m Ω] Typ at 20 $^{\circ}$ C	Rated current [A]
FAPK17-104002	100	2800	0.7	3000	0.3
FAPK17-823002	82	2200	0.8	2200	0.35
FAPK17-473002	47	1300	1.0	1280	0.45
FAPK17-393002	39	1100	1.2	1000	0.5
FAPK17-333002	33	900	1.4	800	0.6
FAPK17-253002	25	700	1.6	670	0.65
FAPK17-203002	20	540	1.8	440	0.75
FAPK17-153002	15	410	2.0	350	0.85
FAPK17-103002	10	270	2.5	235	1.0
FAPK17-682002	6.8	180	3.5	155	1.3
FAPK17-472002	4.7	125	4.0	115	1.6
FAPK17-332002	3.3	87	5.0	78	2.0

TECHNICAL INFORMATION

CURRENT[ADC]



FRAME CORE CHOKES FAPK17 003 SERIES



FEATURES:

- Reted voltage[V]:85 to 265VAC, 50/60Hz.
- Insulation resistance:100m Ω M in at 500DC.
- Turns ratio: N1:N2=1:1 \pm 2%.
- Test Frequency R esponse:10KHz,100mV.
- Hi-Pot: Pri-Sec: 1500VA ac/1mA/60Scond.
- Operating temperature range: -40 $^{\circ}$ C to +105 $^{\circ}$ C.
- Lemperature Rise: 40 $^{\circ}$ C Max.
- All parts meet RO HS compliance.
- Weight:approximately 11.5g.

PRODUCT IDENTIFICATION:

$\frac{PK}{a} \frac{17}{b} \frac{103}{c} \frac{001}{d}$

a:Series name

b:Product dimensions

c:Inductance Value [101:100uH;102;1000uH;103:10000uH]

d:C lassification of air gap in magnetic core

ELECTRICAL CHARACTERISTICS

Part Number	Inductance [mH]+50%-30%	Leakage Inductance [uH]Typ	Saturation Current[A] >90% LOA [tie2+3]	D.C. Resistance [m Ω] Typ at 20 $^{\circ}$ C	Rated current [A]
FAPK17-104003	100	2500	0.8	3000	0.3
FAPK17-823003	82	2000	1.0	2200	0.35
FAPK17-473003	47	1100	1.2	1280	0.45
FAPK17-393003	39	950	1.4	1000	0.5
FAPK17-333003	33	800	1.7	800	0.6
FAPK17-253003	25	600	2.0	670	0.65
FAPK17-203003	20	470	2.2	440	0.75
FAPK17-153003	15	365	2.5	350	0.85
FAPK17-103003	10	235	3.0	235	1.0
FAPK17-682003	6.8	155	4.0	155	1.3
FAPK17-472003	4.7	108	4.5	115	1.6
FAPK17-332003	3.3	78	5.5	78	2.0

TECHNICAL INFORMATION

CURRENT(ADC)

