

## 110\*110\*25mm

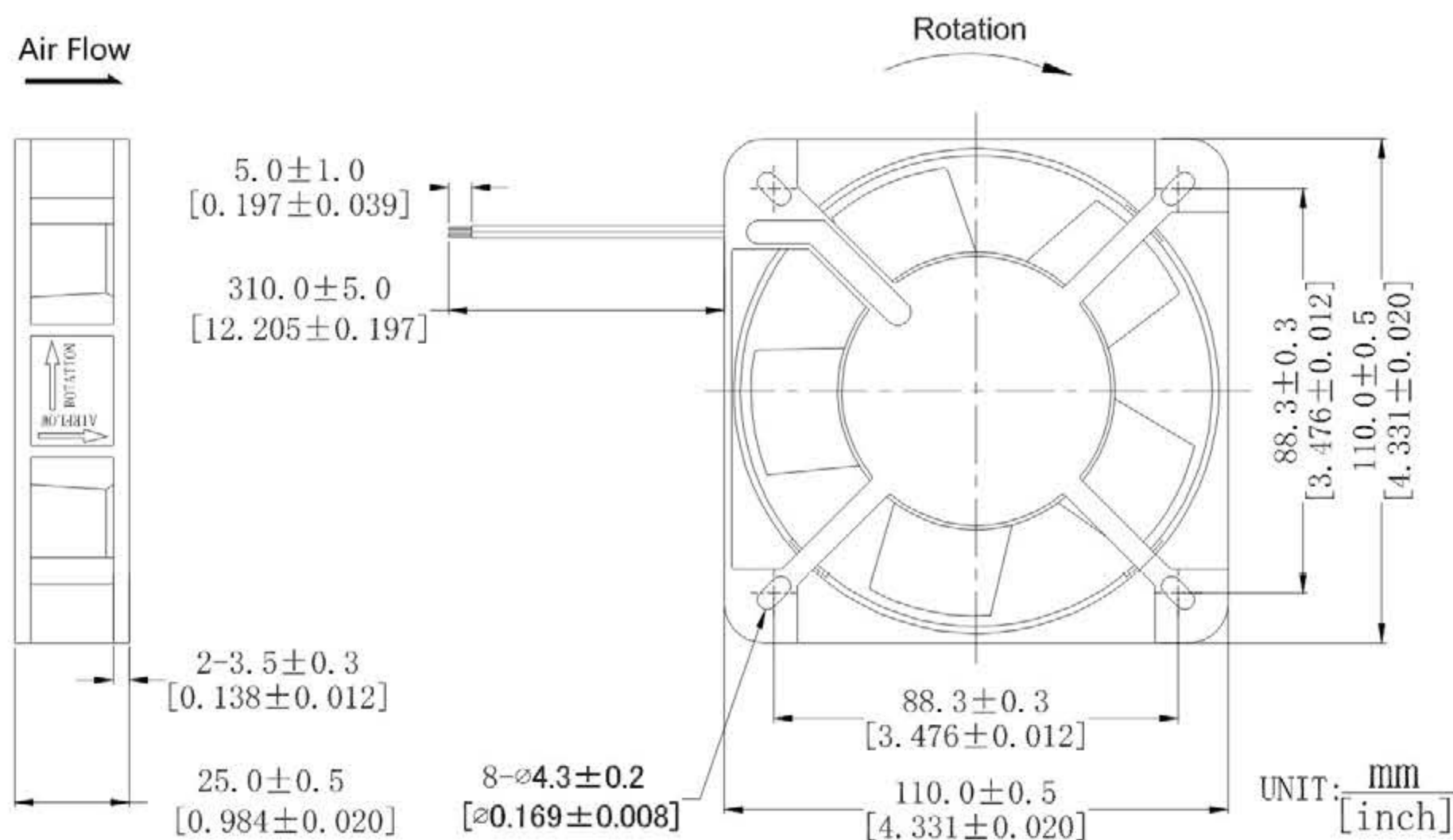
### AC11025 Series



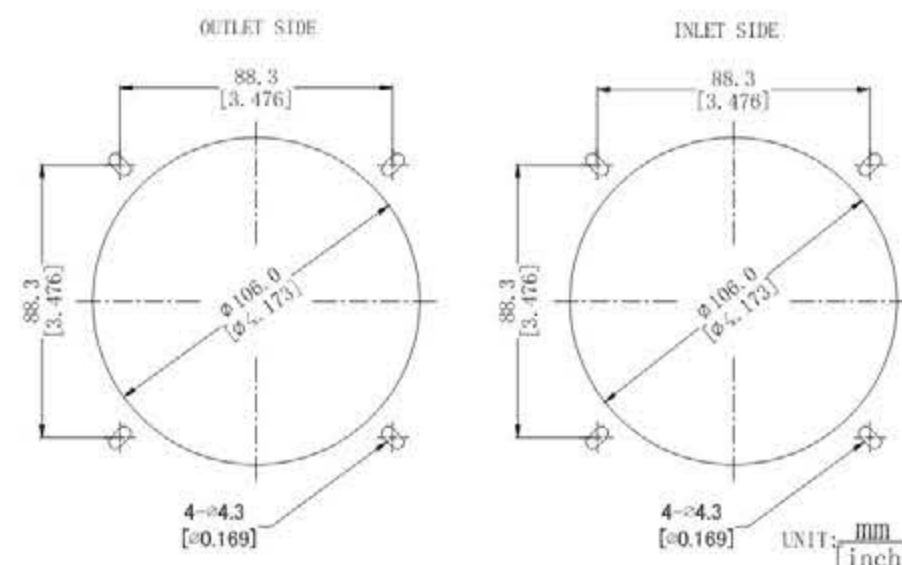
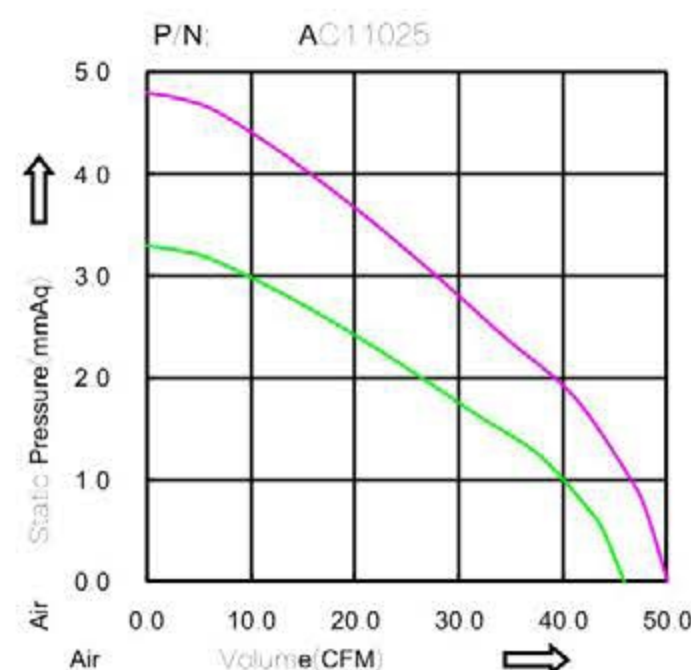
#### DIMENSIONS DRAWING



外框材质:铝合金  
Frame:Aluminum  
扇叶材质:环保防火PBT  
Imperller:Thermoplastic PBT UL94-V0  
轴承结构:双滚珠或长寿命含油结构  
Bearing system:2Ball or Long life sleeve  
单体风扇重量:270g  
Unit Weight:270g



#### P&Q CURVE (AT RATED VOLTAGE)



Part Number	Voltage(V)	Frequency (HZ)	Power (W)	Current (Amp)	Speed (RPM)	Air flow(Q)		Pressure(P)		Noise(dBA)
产品编号	电压	频率	功率	电流	转速	(CFM) 风量	m <sup>3</sup> /min	(mmAq)风压	(In H <sub>2</sub> O)	噪音
AC11025S110H	AC 110/120	50/60	18/17	0.20/0.18	2200/2500	46/50	1.3/1.4	3.0/4.6	0.12/0.18	36/38
AC11025B110H		50/60	18/17	0.20/0.18	2200/2500	46/50	1.3/1.4	3.3/4.8	0.13/0.19	36/38
AC11025S220H	AC 220/240	50/60	18/17	0.10/0.09	2200/2500	46/50	1.3/1.4	3.0/4.6	0.12/0.18	36/38
AC11025B220H		50/60	18/17	0.10/0.09	2200/2500	46/50	1.3/1.4	3.3/4.8	0.13/0.19	36/38

★ 如果您需要的转速或电压或功能不在这份清单上，请与我们联系。  
If you want another rpm or voltage or functions which one is not in the list, please contact with our sales.

★ 提示1:功能的具体信息参照产品目录前页篇章。  
Notes1:The catalog have detail information in the front page for the functions.

★ 提示2:产品详细信息请参照承认书。  
Notes2:Product have a detail in the approval sheet.

★ 提示3:产品规格变更不另行通知。  
Notes3:Specifications are subject to change without notice.