

STANDARD AC AXIAL FAN

RUNDA
www.szrunda.com

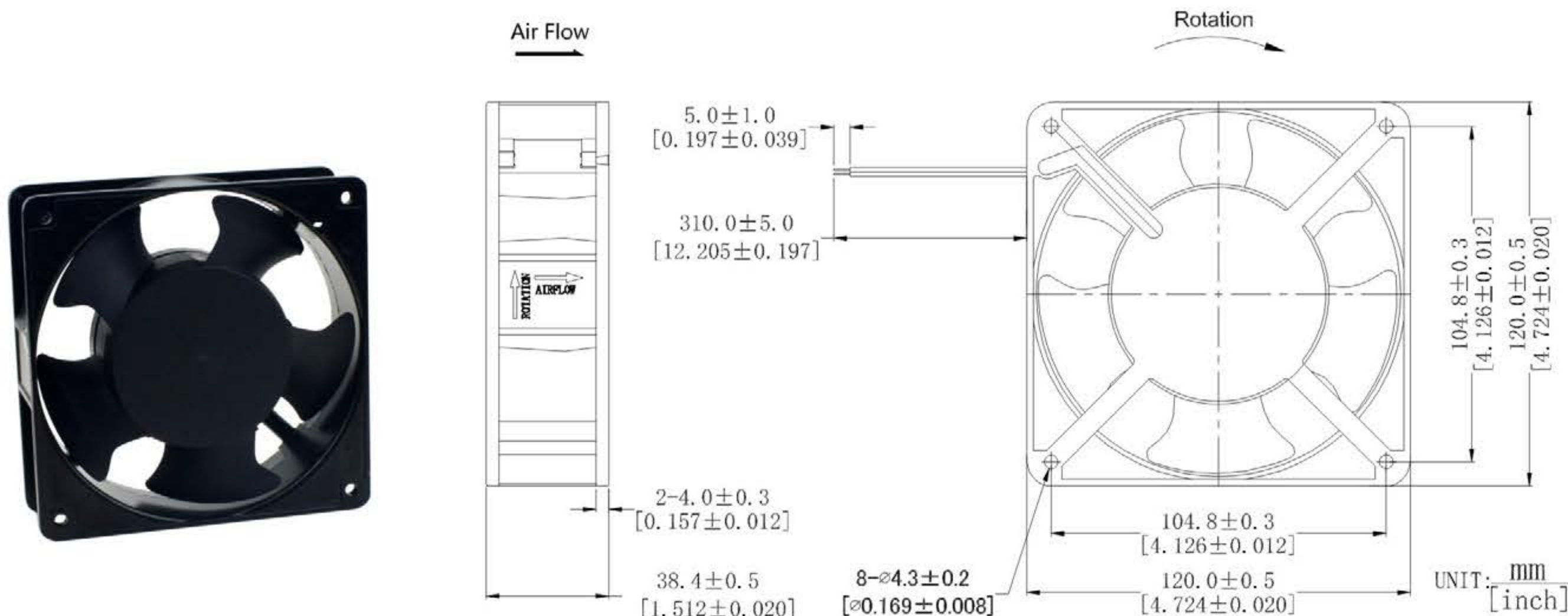
120*120*38mm

AC12038 Series



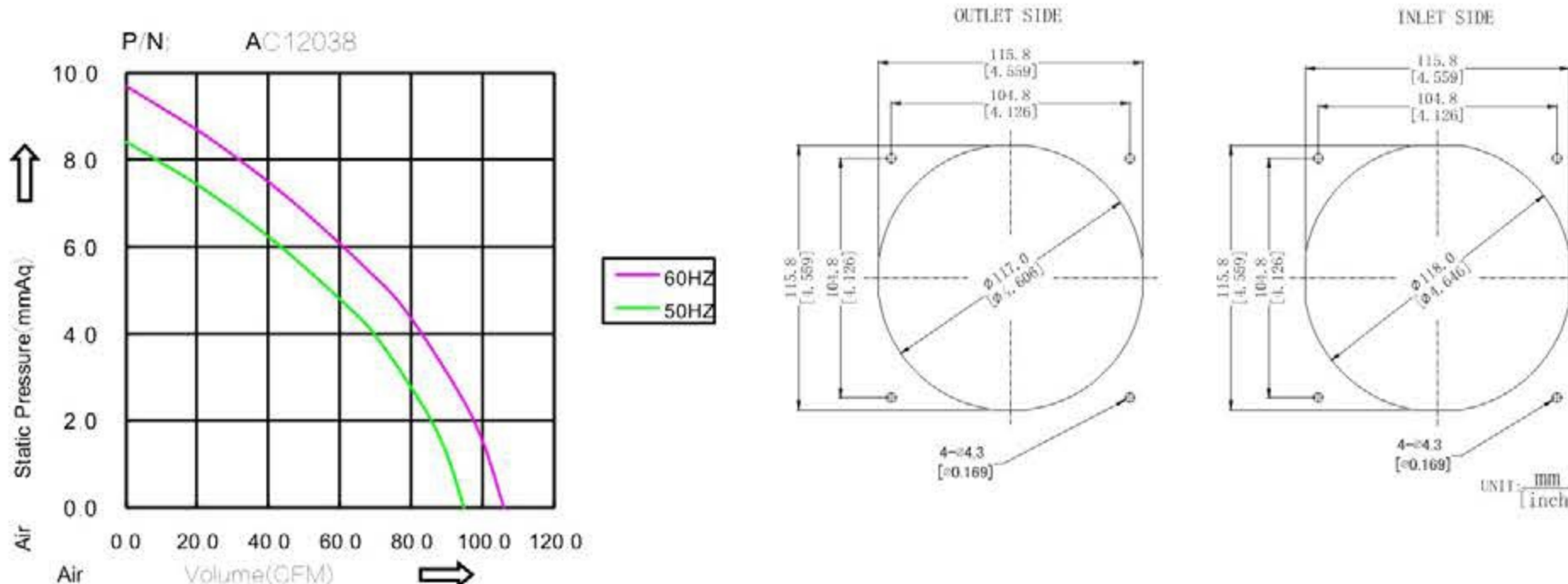
节能的高性价比 Energy-save and Cost Effective

DIMENSIONS DRAWING



外框材质:铝合金
 Frame:Aluminum
 扇叶材质:环保防火PBT
 Imperller:Thermoplastic PBT UL94-V0
 轴承结构:双滚珠或长寿命含油结构
 Bearing system:2Ball or Long life sleeve
 单体风扇重量:500g
 Unit Weight:500g

P&Q CURVE (AT RATED VOLTAGE)



Part Number	Voltage(V)	Frequency (HZ)	Power (W)	Current (Amp)	Speed (RPM)	Air flow(Q)		Pressure(P)		Noise(dBA)
						(CFM) 风量	m ³ /min	(mmAq)风压	(In H ₂ O)	
AC12038S110H	AC 110/120	50/60	20/19	0.26/0.24	2500/2700	84/95	2.4/2.7	8.4/9.7	0.33/0.38	44/49
AC12038B110H		50/60	20/19	0.26/0.24	2500/2700	84/95	2.4/2.7	8.4/9.7	0.33/0.38	44/49
AC12038S220H	AC 220/240	50/60	20/19	0.13/0.12	2500/2700	84/95	2.4/2.7	8.4/9.7	0.33/0.38	44/49
AC12038B220H		50/60	20/19	0.13/0.12	2500/2700	84/95	2.4/2.7	8.4/9.7	0.33/0.38	44/49
AC12038S380H	AC 380	50/60	20/19	0.08/0.07	2500/2700	84/95	2.4/2.7	8.4/9.7	0.33/0.38	44/49
AC12038B380H		50/60	20/19	0.08/0.07	2500/2700	84/95	2.4/2.7	8.4/9.7	0.33/0.38	44/49

- ★ 如果您需要的转速或电压或功能不在这份清单上，请与我们联系。
If you want another rpm or voltage or functions which one is not in the list, please contact with our sales.
- ★ 提示1:功能的具体信息参照产品目录前页篇章。
Notes1:The catalog have detail information in the front page for the functions.
- ★ 提示2:产品详细信息请参照承认书。
Notes2:Product have a detail in the approval sheet.
- ★ 提示3:产品规格变更不另行通知。
Notes3:Specifications are subject to change without notice.