

# STANDARD AC AXIAL FAN

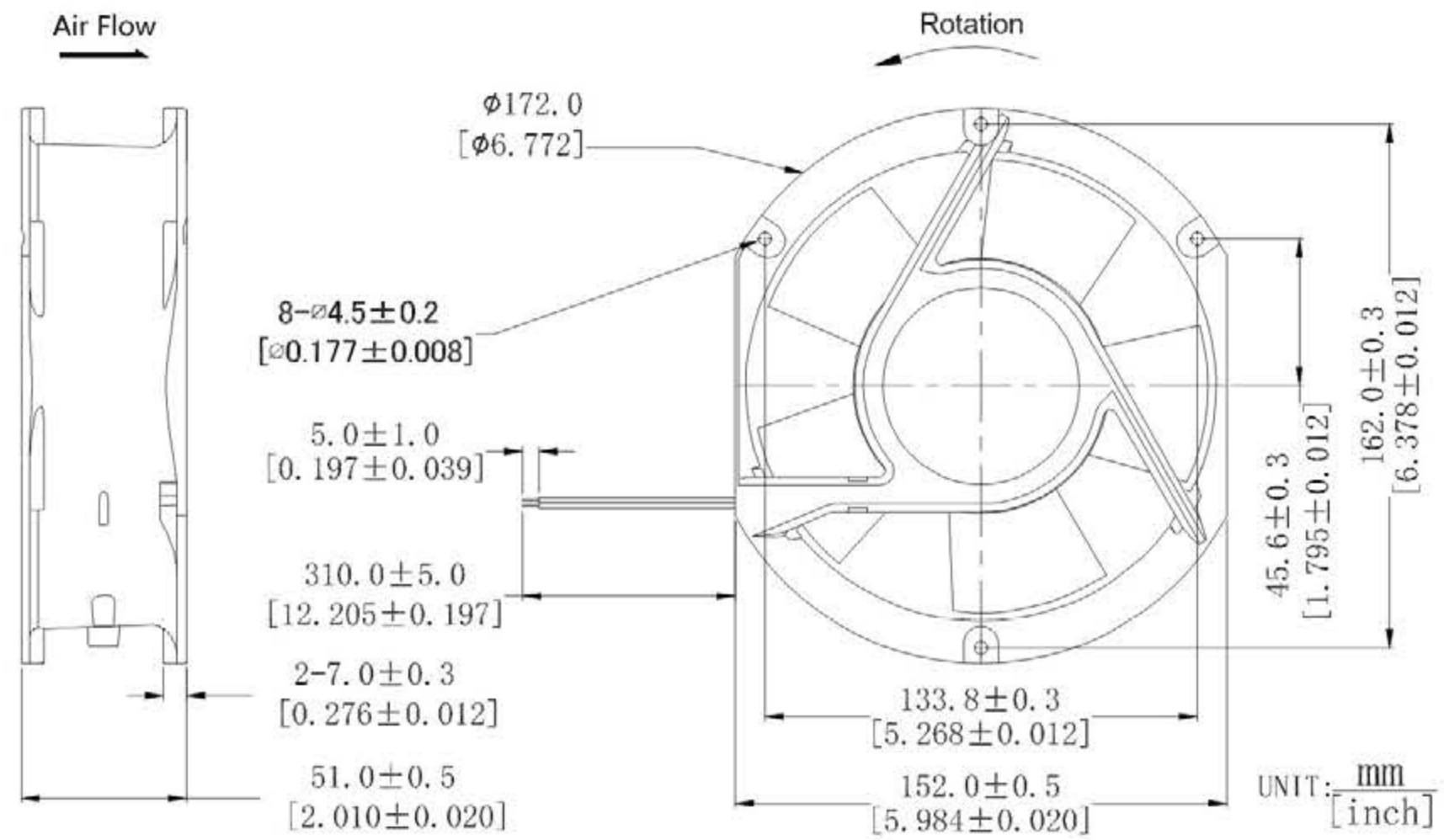
**RUNDA**  
www.szrunda.com

**172\*150\*51mm**

**AC17251 Series**

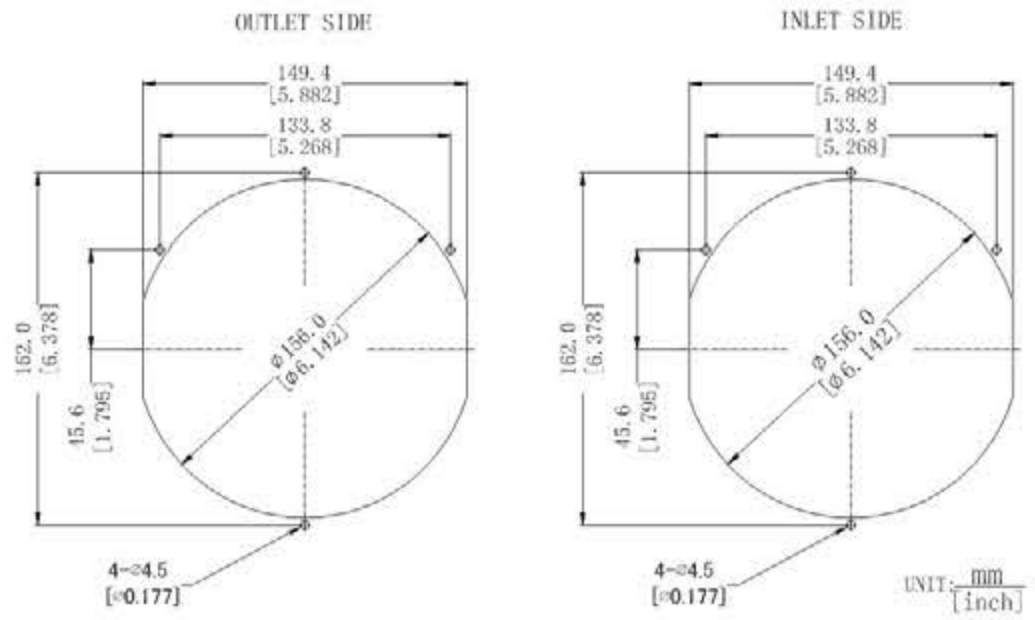
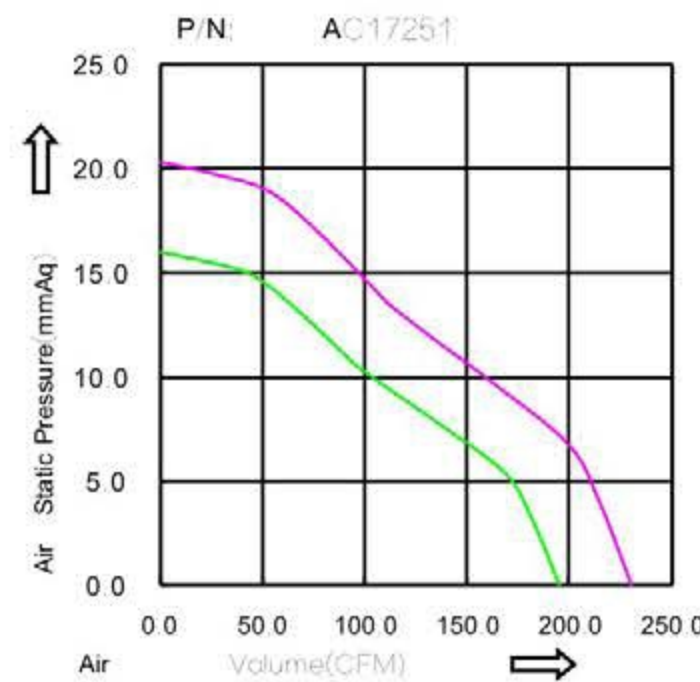


## DIMENSIONS DRAWING



外框材质:铝合金  
Frame:Aluminum  
扇叶材质:环保防火PBT  
Imperller:Thermoplastic PBT UL94-V0  
轴承结构:双滚珠或长寿命含油结构  
Bearing system:2Ball or Long life sleeve  
单体风扇重量:880g  
Unit Weight:880g

## P&Q CURVE (AT RATED VOLTAGE)



Part Number	Voltage(V)	Frequency (HZ)	Power (W)	Current (Amp)	Speed (RPM)	Air flow(Q)		Pressure(P)		Noise(dBA)
						(CFM) 风量	m <sup>3</sup> /min	(mmAq)风压	(In H <sub>2</sub> O)	
AC17251A110H	AC 110/120	50/60	34/32	0.50/0.45	2400/2600	195/230	5.5/6.5	16.0/20.3	0.63/0.80	50/55
AC17251B110H		50/60	34/32	0.50/0.45	2400/2600	195/230	5.5/6.5	16.0/20.3	0.63/0.80	50/55
AC17251A220H	AC 220/240	50/60	34/32	0.23/0.21	2400/2600	195/230	5.5/6.5	16.0/20.3	0.63/0.80	50/55
AC17251B220H		50/60	34/32	0.23/0.21	2400/2600	195/230	5.5/6.5	16.0/20.3	0.63/0.80	50/55
AC17251A380H	AC 380	50/60	36/34	0.15/0.14	2400/2600	195/230	5.5/6.5	16.0/20.3	0.63/0.80	50/55
AC17251B380H		50/60	36/34	0.15/0.14	2400/2600	195/230	5.5/6.5	16.0/20.3	0.63/0.80	50/55

- ★ 如果您需要的转速或电压或功能不在这份清单上，请与我们联系。  
If you want another rpm or voltage or functions which one is not in the list, please contact with our sales.
- ★ 提示1:功能的具体信息参照产品目录前页篇章。  
Notes1:The catalog have detail information in the front page for the functions.
- ★ 提示2:产品详细信息请参照承认书。  
Notes2:Product have a detail in the approval sheet.
- ★ 提示3:产品规格变更不另行通知。  
Notes3:Specifications are subject to change without notice.