

STANDARD AC AXIAL FAN

254*89mm

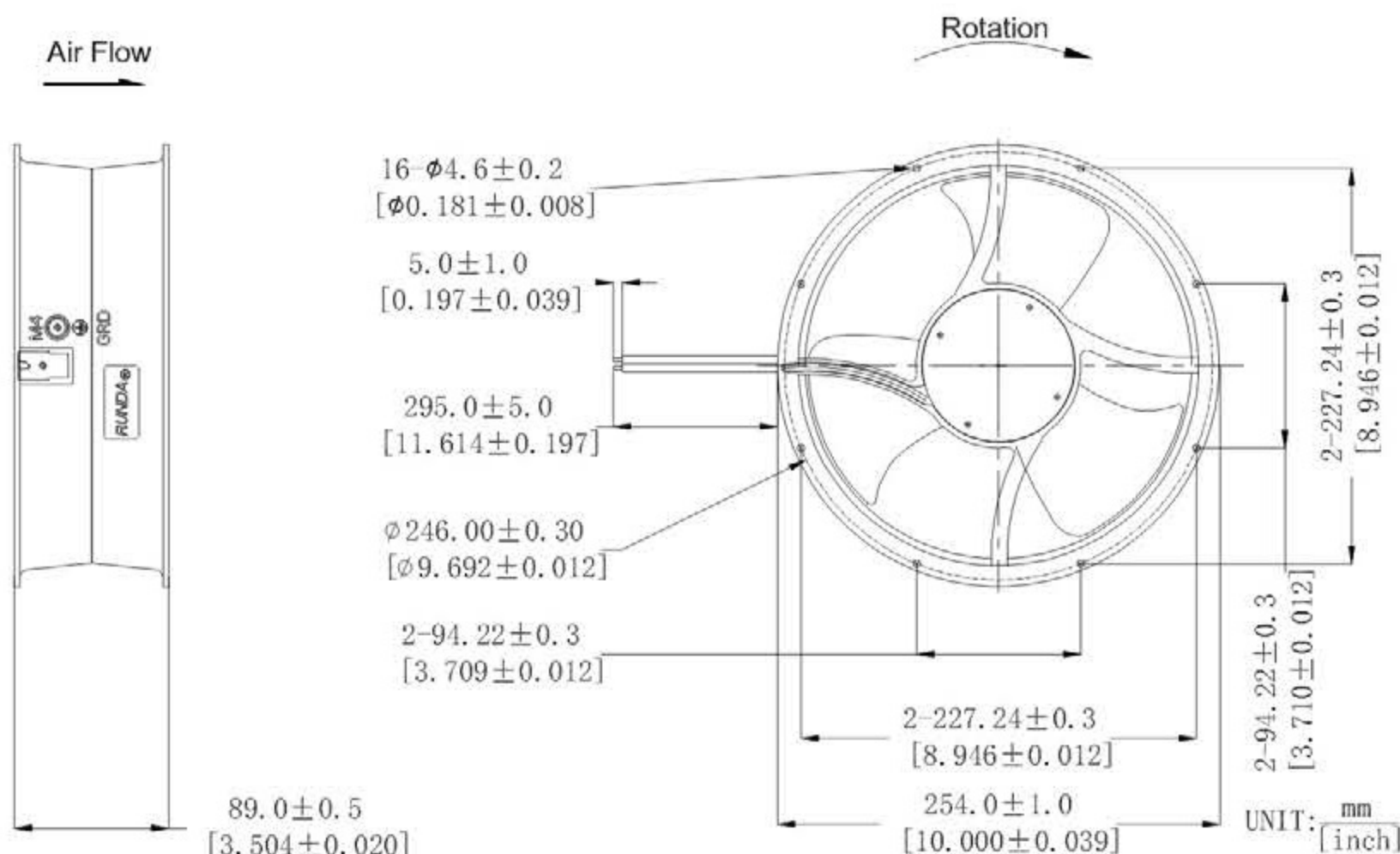
AC25489 Series



RUNDA

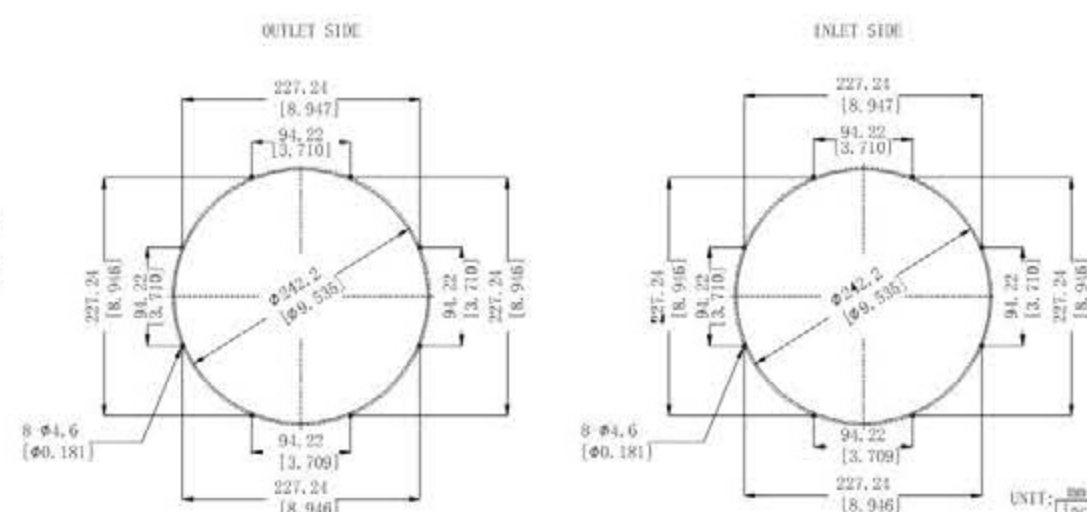
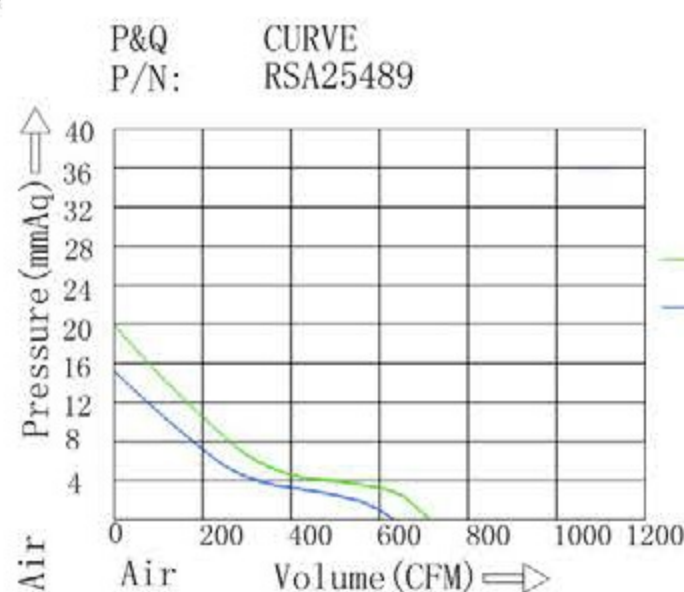
www.szrunda.com

DIMENSIONS DRAWING



外框材质:铝合金
Frame:Aluminum
扇叶材质:环保防火PBT
Imperller: Thermoplastic PBT UL94-V0
轴承结构:双滚珠或长寿命含油结构
Bearing system:2Ball or Long life sleeve
单体风扇重量:2410g
Unit Weight:2410g

P&Q CURVE (AT RATED VOLTAGE)



Part Number	Voltage(V)	Frequency (HZ)	Power(W)	Current (Amp)	Speed (RPM)	Air flow(Q)	Pressure(P)		
产品编号	电压	频率	功率	电流	转速	(CFM) 风量	(mmAq)风压 (In H ₂ O)		
AC25489B110H	AC 110/120	50/60	35/30	0.32/0.30	1800/2000	620/680	17.5/19.2	12.7/14.0	0.50/0.55
AC25489B220H	AC 220/240	50/60	33/31	0.15/0.14	1800/2000	620/680	17.5/19.2	12.7/14.0	0.50/0.55

- ★ 如果您需要的转速或电压或功能不在这份清单上，请与我们联系。
If you want another rpm or voltage or functions which one is not in the list, please contact with our sales.
- ★ 提示1:功能的具体信息参照产品目录前页篇章。
Notes1:The catalog have detail information in the front page for the functions.
- ★ 提示2:产品详细信息请参照承认书。
Notes2:Product have a detail in the approval sheet.
- ★ 提示3:产品规格变更不另行通知。
Notes3:Specifications are subject to change without notice.