

# STANDARD AC AXIAL FAN

## 80\*80\*25mm

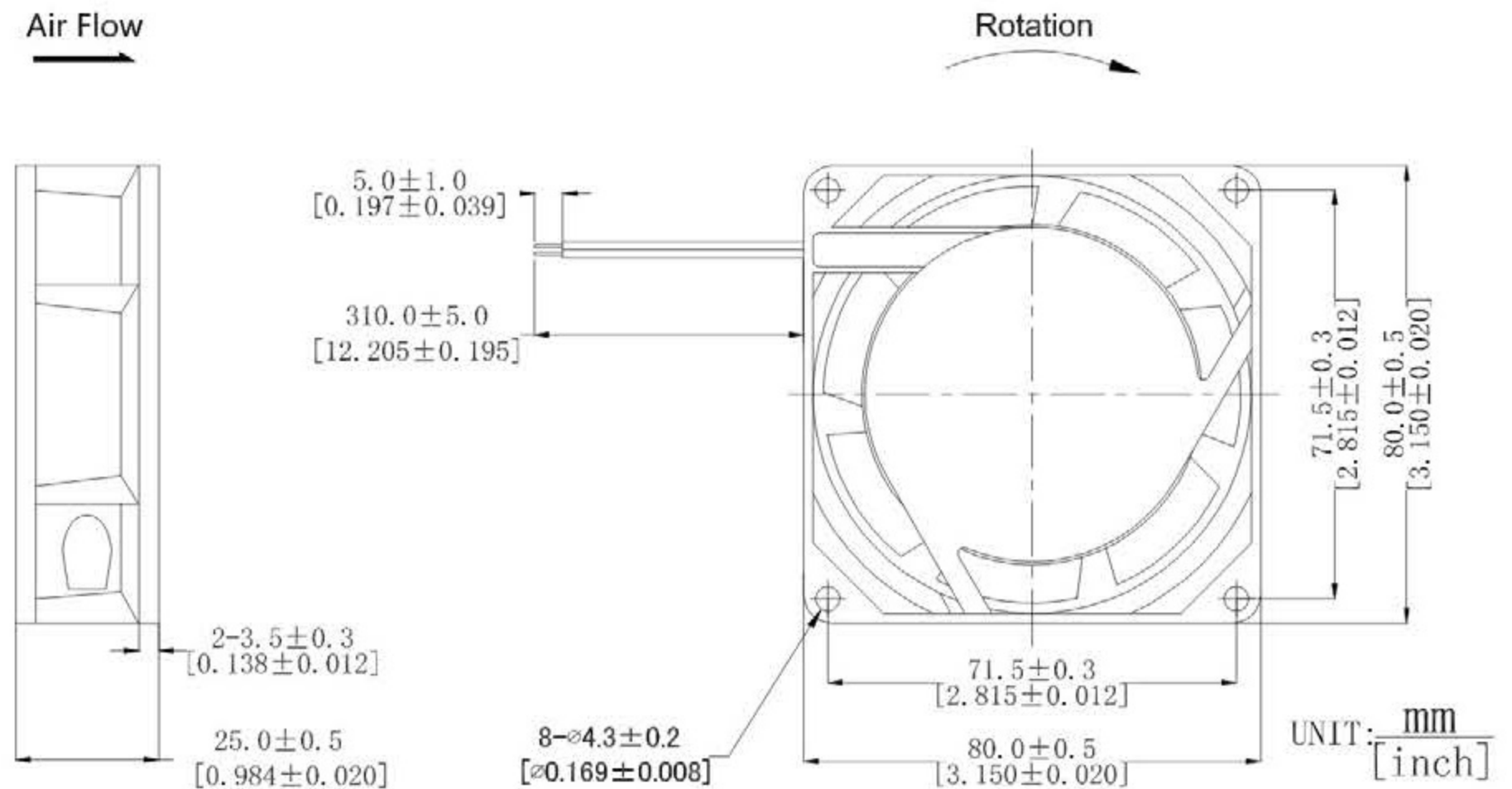
### AC8025 Series



# RUNDA

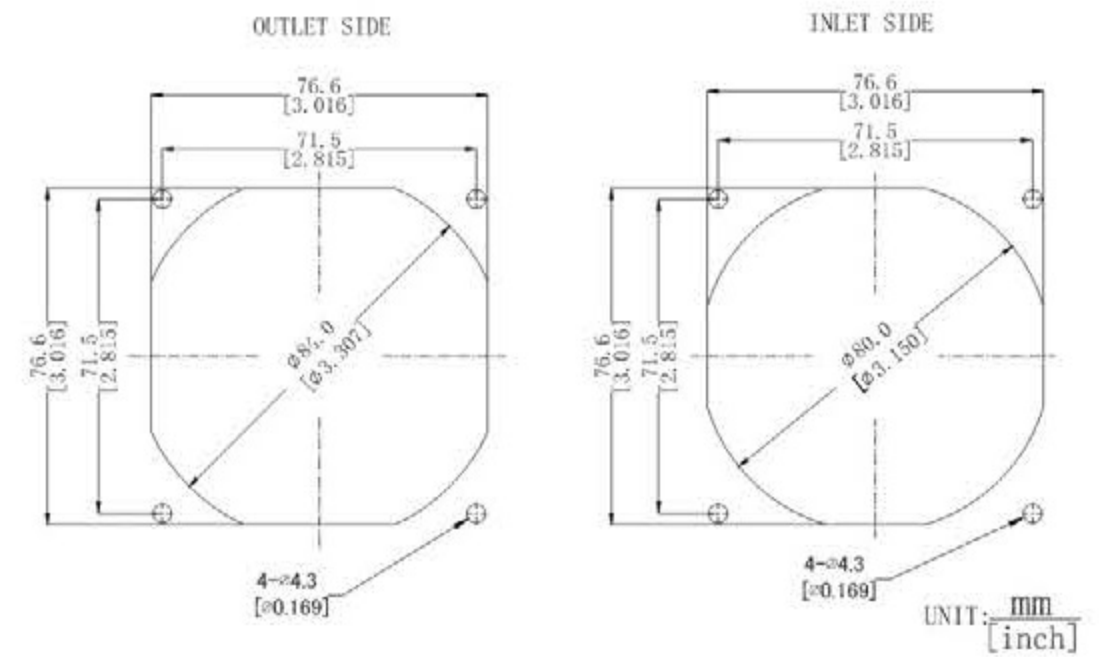
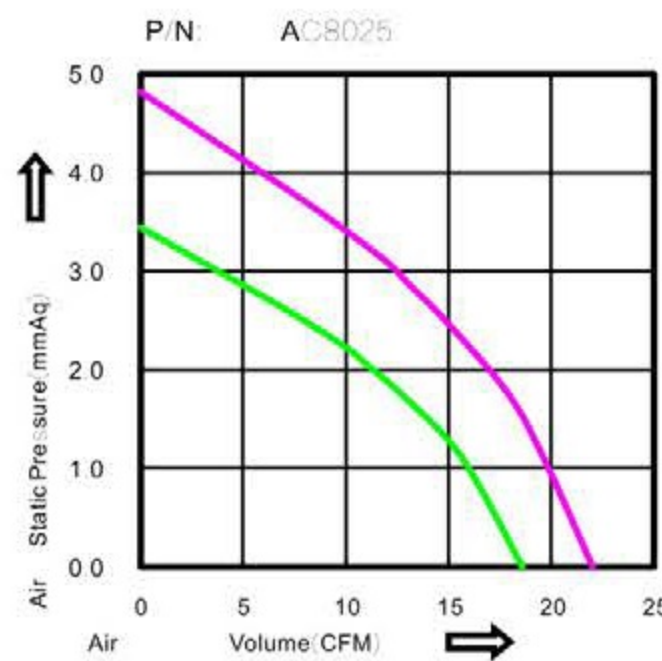
www.szrunda.com

#### DIMENSIONS DRAWING



外框材质:铝合金  
Frame:Aluminum  
扇叶材质:环保防火PBT  
Imperller:Thermoplastic PBT UL94-V0  
轴承结构:双滚珠或长寿命含油结构  
Bearing system:2Ball or Long life sleeve  
单体风扇重量:230g  
Unit Weight:230g

#### P&Q CURVE (AT RATED VOLTAGE)



Part Number	Voltage(V)	Frequency (HZ)	Power(W)	Current (Amp)	Speed (RPM)	Air flow(Q)	Pressure(P)	Noise(dBA)		
产品编号	电压	频率	功率	电流	转速	(CFM) 风量	m <sup>3</sup> /min (mmAq)风压 (In H <sub>2</sub> O)	噪音		
AC8025S110H	AC 110/120	50/60	13/11	0.14/0.12	2300/2500	17/21	0.48/0.60	3.0/4.6	0.12/0.18	29/33
AC8025B110H		50/60	13/11	0.14/0.12	2400/2600	18/22	0.51/0.63	3.3/4.8	0.13/0.19	29/33
AC8025S220H	AC 220/240	50/60	13/11	0.07/0.06	2300/2500	17/21	0.48/0.60	3.0/4.6	0.12/0.18	29/33
AC8025B220H		50/60	13/11	0.07/0.06	2400/2600	18/22	0.51/0.63	3.3/4.8	0.13/0.19	29/33

- ★ 如果您需要的转速或电压或功能不在这份清单上，请与我们联系。  
If you want another rpm or voltage or functions which one is not in the list, please contact with our sales.
- ★ 提示1:功能的具体信息参照产品目录前页篇章。  
Notes1: The catalog have detail information in the front page for the functions.
- ★ 提示2:产品详细信息请参照承认书。  
Notes2: Product have a detail in the approval sheet.
- ★ 提示3:产品规格变更不另行通知。  
Notes3: Specifications are subject to change without notice.