

STANDARD AC AXIAL FAN

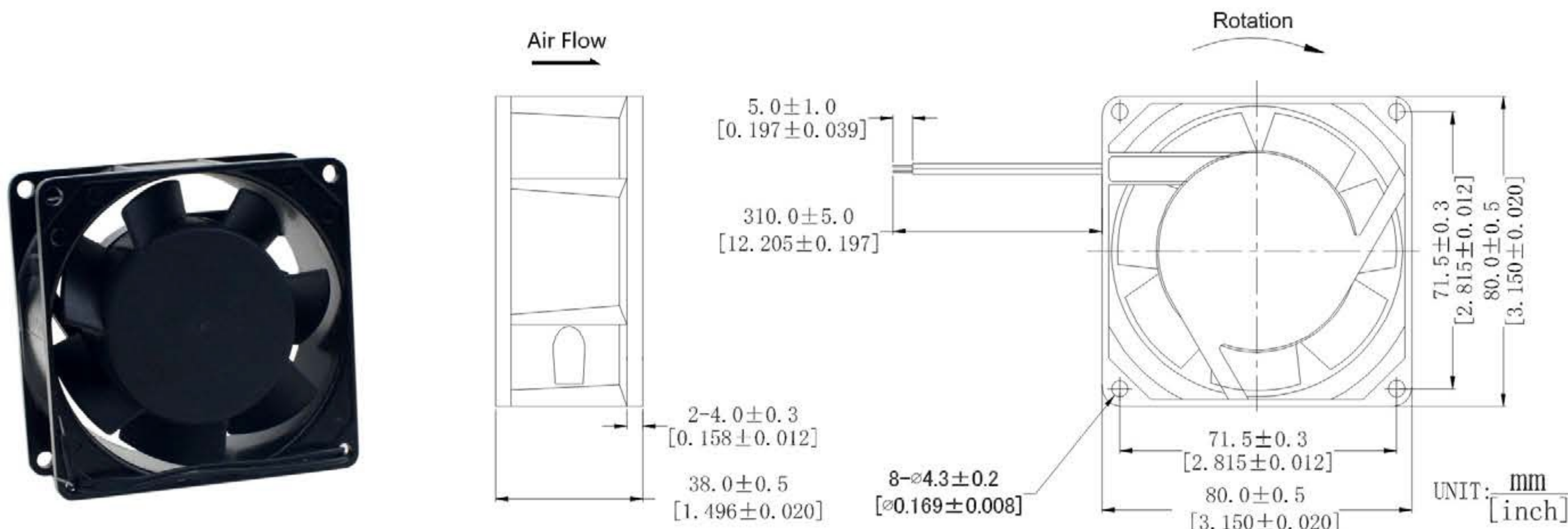
RUNDA
www.szrunda.com

80*80*38mm

AC8038 Series

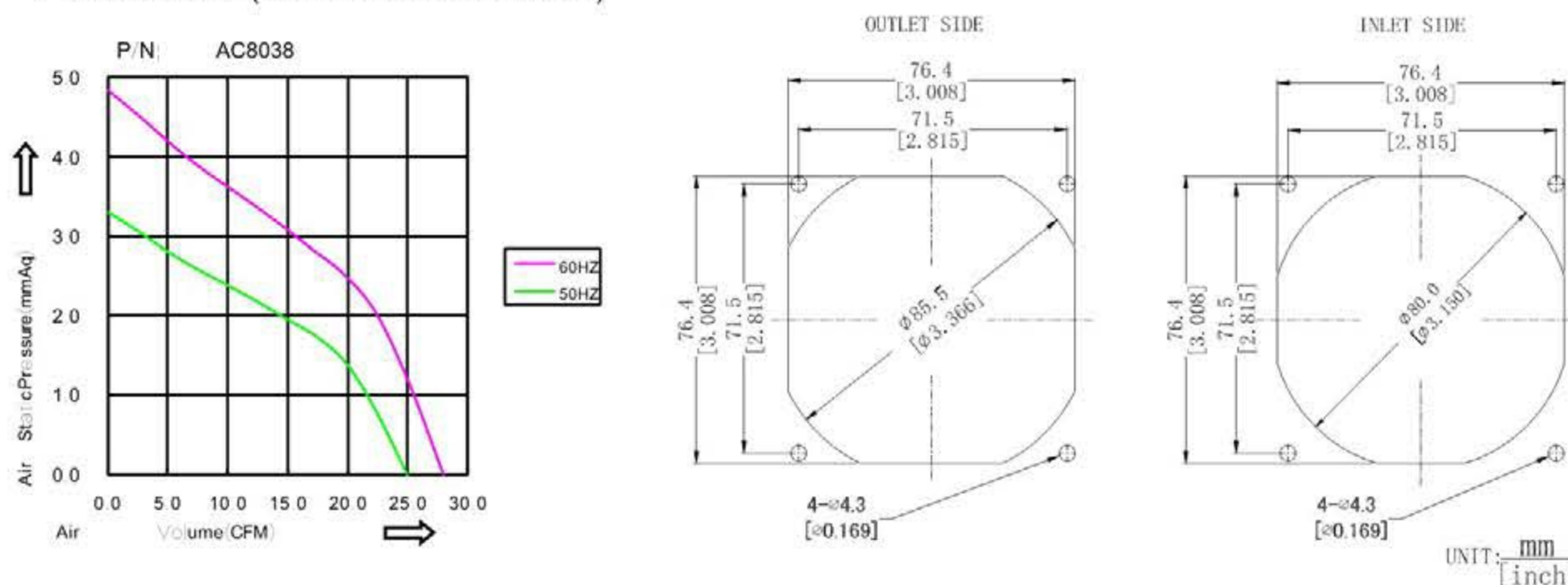


DIMENSIONS DRAWING



外框材质:铝合金
Frame:Aluminum
扇叶材质:环保防火PBT
Impeller:Thermoplastic PBT UL94-V0
轴承结构:双滚珠或长寿命含油结构
Bearing system:2Ball or Long life sleeve
单体风扇重量:270g
Unit Weight:270g

P&Q CURVE (AT RATED VOLTAGE)



Part Number	Voltage(V)	Frequency (HZ)	Power (W)	Current (Amp)	Speed(RPM)	Air flow(Q)	Pressure(P)	Noise(dBA)		
产品编号	电压	频率	功率	电流	转速	(CFM) 风量	(mmAq)风压	噪音		
AC8038S110H	AC 110/120	50/60	11/8	0.14/0.12	2400/2700	25/28	0.7/0.8	3.3/4.83	0.13/0.19	30/35
AC8038B110H		50/60	11/8	0.14/0.12	2400/2700	25/28	0.7/0.8	3.3/4.83	0.13/0.19	30/35
AC8038S220H	AC 220/240	50/60	11/8	0.07/0.06	2400/2700	25/28	0.7/0.8	3.3/4.83	0.13/0.19	30/35
AC8038B220H		50/60	11/8	0.07/0.06	2400/2700	25/28	0.7/0.8	3.3/4.83	0.13/0.19	30/35

★ 如果您需要的转速或电压或功能不在这份清单上，请与我们联系。
If you want another rpm or voltage or functions which one is not in the list, please contact with our sales.

★ 提示1:功能的具体信息参照产品目录前页篇章。
Notes1:The catalog have detail information in the front page for the functions.

★ 提示2:产品详细信息请参照承认书。
Notes2:Product have a detail in the approval sheet.

★ 提示3:产品规格变更不另行通知。
Notes3:Specifications are subject to change without notice.