

# DC BLOWER

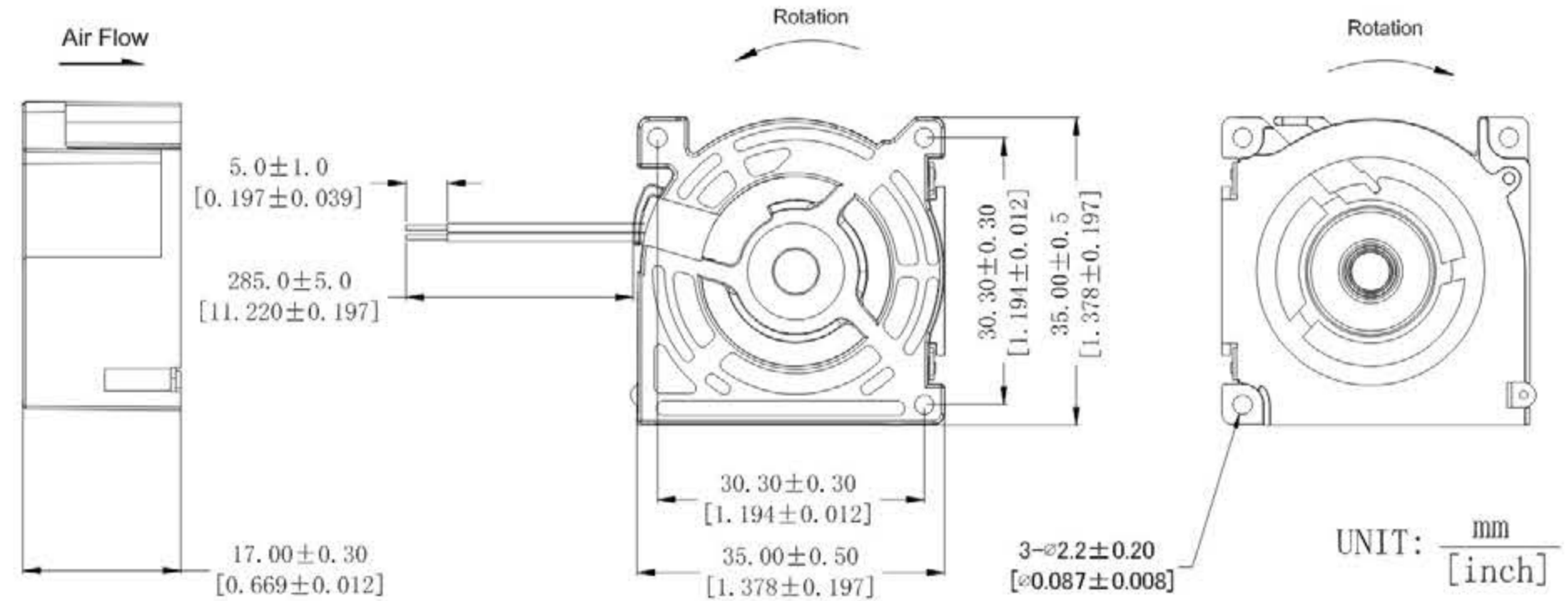
**RUNDA**  
www.szrunda.com

## 35x17mm

### RB3517Series



DIMENSIONS DRAWING



外框材质:环保防火PBT  
Frame: Thermoplastic PBT UL94-V0  
扇叶材质:环保防火PBT  
Imperller: Thermoplastic PBT UL94-V0  
轴承结构:双滚珠  
Bearing system:2Ball  
单体风扇重量:750g  
Unit Weight:750g

可选的功能参照列表  
(Available Functions)

1. 马达保护(Motor protection)

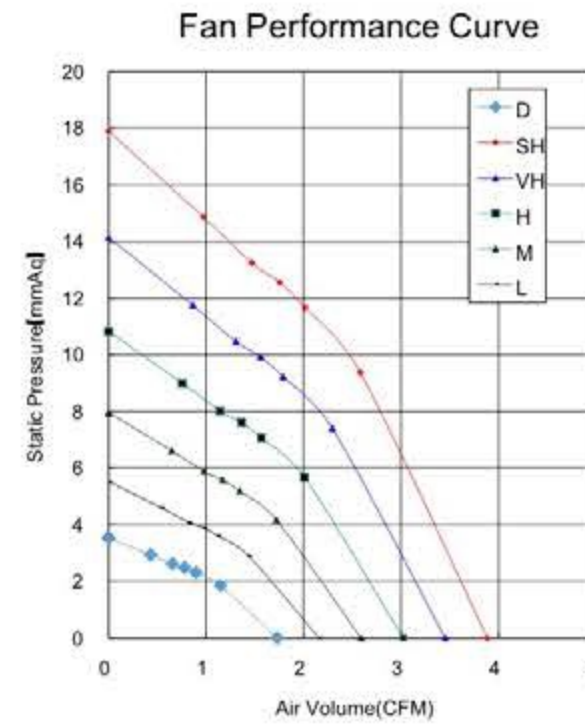
RP	SS	AS	CL
●	●	●	●

2. 信号输出(Signal output)

FG	RD	RD	LD
●	●	●	●

3. 调速方式(Speed control mode)

PWM	TP	VC	RC	CS
●	●	●	●	●



Part Number	Voltage(V)	Fre.(HZ)	Power(W)	Speed(RPM)	Air flow(Q)	Pressure(P)	Noise(dBA)
产品编号	电压范围	额定电流	功率	转速	(CFM) 风量	(Mmaq)风压	噪音
RB3517x05D	5(4~6)	0.15	0.75	6000	1.73	3.53	33.5
RB3517x05L		0.24	1.20	6800	2.16	5.52	36.5
RB3517x05M		0.29	1.45	7400	3.02	10.82	37.9

★ 如果您需要的转速或电压或功能不在这份清单上, 请与我们联系。  
If you want another rpm or voltage or functions which one is not in the list, please contact with our sales.

★ 提示1:功能的具体信息参照产品目录前页篇章。  
Notes1: The catalog have detail information in the front page for the functions.

★ 提示2:产品详细信息请参照承认书。  
Notes2: Product have a detail in the approval sheet.

★ 提示3:产品规格变更不另行通知。  
Notes3: Specifications are subject to change without notice.

★ 提示4:该款机型可制作相同转速的, 可在AC110V和AC220V双电压下使用。  
Note4: This model can be made in the same speed and used in AC110V, AC220V both.