

120x120x25mm

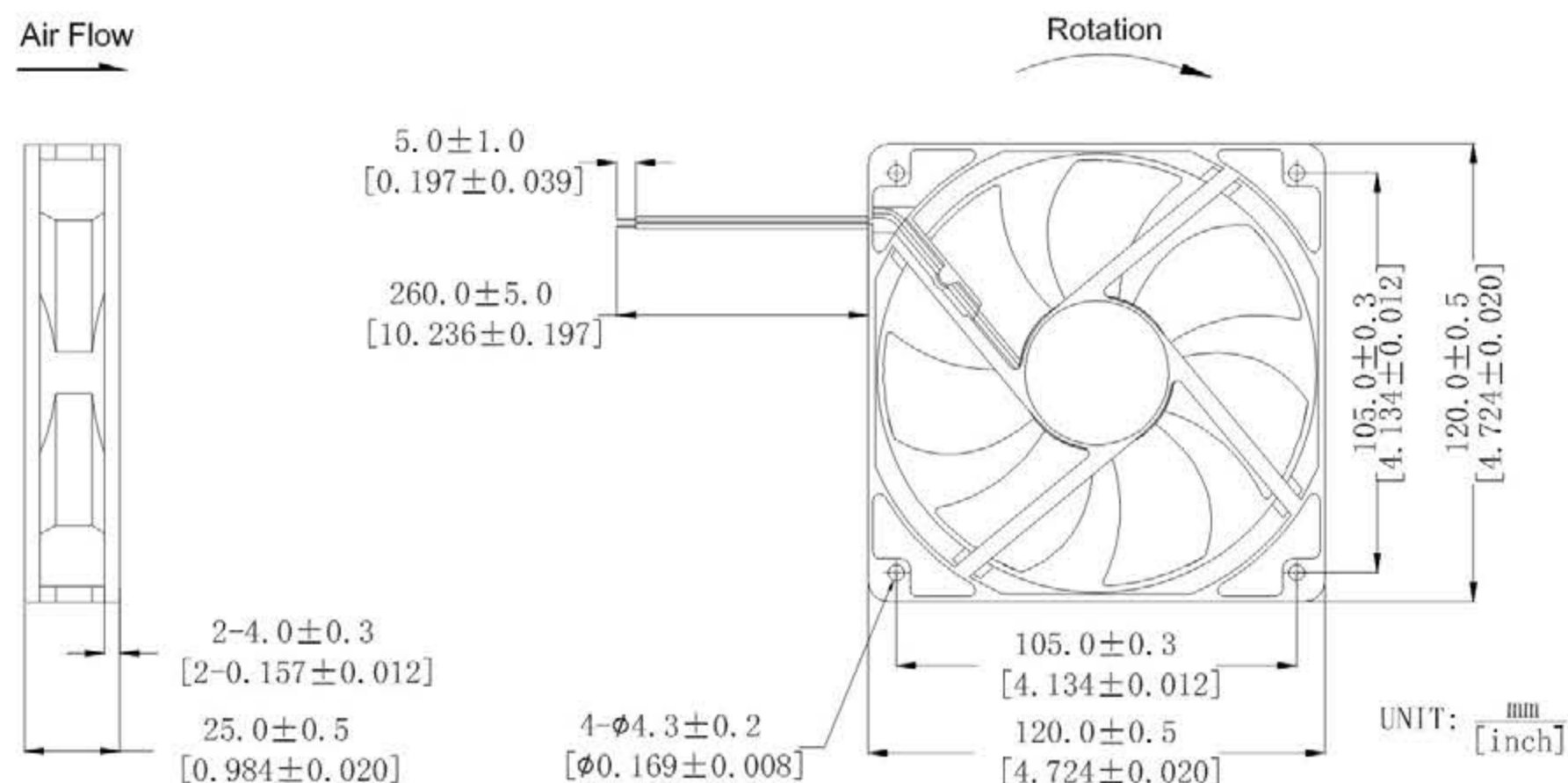
RS1225 Series



DIMENSIONS DRAWING



外框材质:环保防火PBT
 Frame:Thermoplastic PBT UL94-V0
 扇叶材质:环保防火PBT
 Imperller:Thermoplastic PBT UL94-V0
 轴承结构:双滚珠或长寿命含油结构
 Bearing system:2Ball or Long life sleeve
 单体风扇重量:125g
 Unit Weight:125g



可选的功能参照列表 (Available Functions)

1.马达保护(Motor protection)

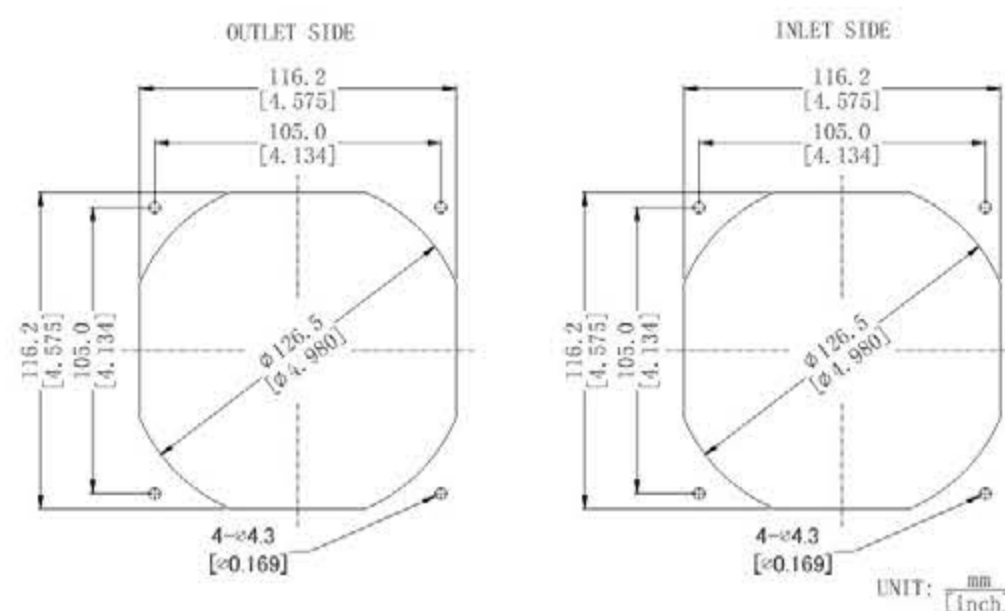
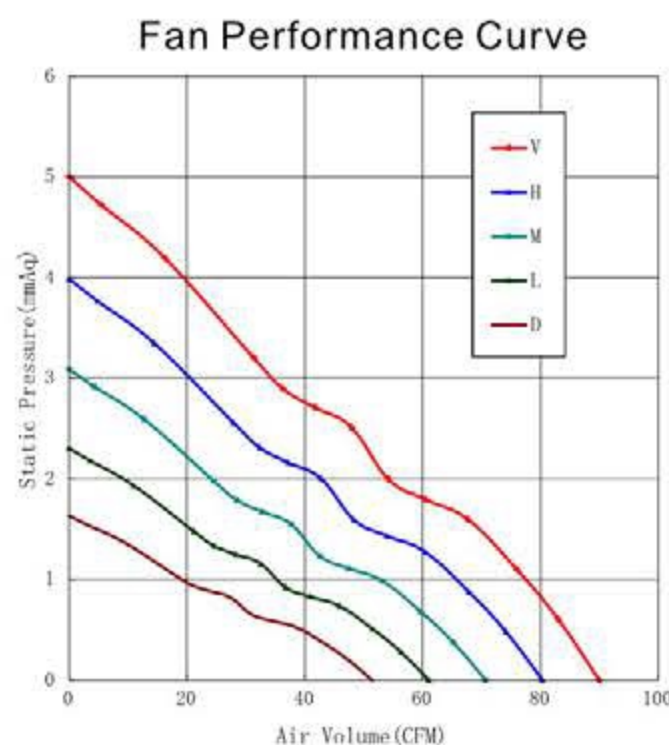
| | | | |
|----|----|----|----|
| RP | SS | AS | CL |
| ● | ● | ● | ● |

2.信号输出(Signal output)

| | | | |
|----|----|-----|----|
| FG | RD | R̄D | LD |
| ● | ● | ● | ● |

3.调速方式(Speed control mode)

| | | | | |
|-----|----|----|----|----|
| PWM | TP | VC | RC | CS |
| ● | ● | ● | ● | ● |



| Part Number | Voltage(V) | Current(A) | Power(W) | Speed(RPM) | Air flow(Q) | | Pressure(P) | | Noise(dBA) |
|-------------|------------|------------|----------|------------|-------------|---------------------|-------------|-----------------------|------------|
| 产品编号 | 电压范围 | 额定电流 | 功率 | 转速 | (CFM) 风量 | m ³ /min | (mmAq)风压 | (In H ₂ O) | 噪音 |
| RS1225X12D | 12(7~14) | 0.12 | 1.44 | 1500 | 51.39 | 1.45 | 1.63 | 0.06 | 27.0 |
| RS1225X12L | | 0.16 | 1.92 | 1800 | 61.03 | 1.73 | 2.30 | 0.09 | 32.2 |
| RS1225X12M | | 0.23 | 2.76 | 2100 | 70.69 | 2.00 | 3.08 | 0.12 | 35.5 |
| RS1225X12H | | 0.30 | 3.6 | 2400 | 80.31 | 2.27 | 3.98 | 0.16 | 39.0 |
| RS1225X12VH | | 0.38 | 4.56 | 2700 | 89.94 | 2.54 | 5.00 | 0.20 | 42.3 |
| RS1225X24D | 24(15~27) | 0.06 | 1.44 | 1500 | 51.39 | 1.45 | 1.63 | 0.06 | 27.0 |
| RS1225X24L | | 0.08 | 1.92 | 1800 | 61.03 | 1.73 | 2.30 | 0.09 | 32.2 |
| RS1225X24M | | 0.12 | 2.88 | 2100 | 70.69 | 2.00 | 3.08 | 0.12 | 35.5 |
| RS1225X24H | | 0.15 | 3.6 | 2400 | 80.31 | 2.27 | 3.98 | 0.16 | 39.0 |
| RS1225X24VH | | 0.19 | 4.56 | 2700 | 89.94 | 2.54 | 5.00 | 0.20 | 42.3 |

★ 如果您需要的转速或电压或功能不在这份清单上, 请与我们联系。
 If you want another rpm or voltage or functions which one is not in the list, please contact with our sales.

★ 提示1:功能的具体信息参照产品目录前页篇章。
 Notes1:The catalog have detail information in the front page for the functions.

★ 提示2:产品详细信息请参照承认书。
 Notes2:Product have a detail in the approval sheet.

★ 提示3:产品规格变更不另行通知。
 Notes3:Specifications are subject to change without notice.