

# DC AXIAL FAN

## 140x140x25mm

### RS1425 Series



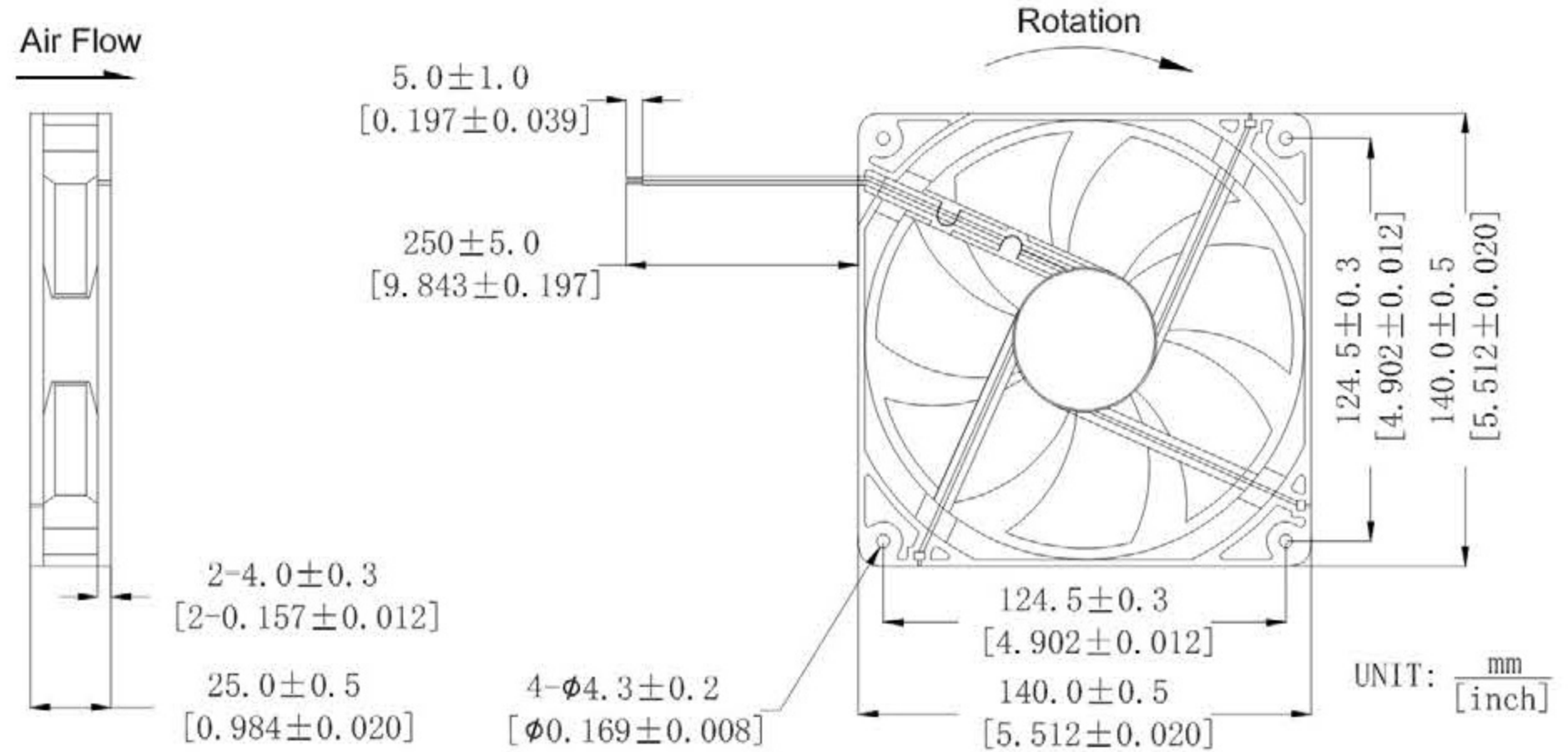
# RUNDA

www.szrunda.com

#### DIMENSIONS DRAWING



外框材质:环保防火PBT  
Frame:Thermoplastic PBT UL94-V0  
扇叶材质:环保防火PBT  
Imperller:Thermoplastic PBT UL94-V0  
轴承结构:双滚珠或长寿命含油结构  
Bearing system:2Ball or Long life sleeve  
单体风扇重量:200g  
Unit Weight:200g



#### 可选的功能参照列表 (Available Functions)

##### 1. 马达保护(Motor protection)

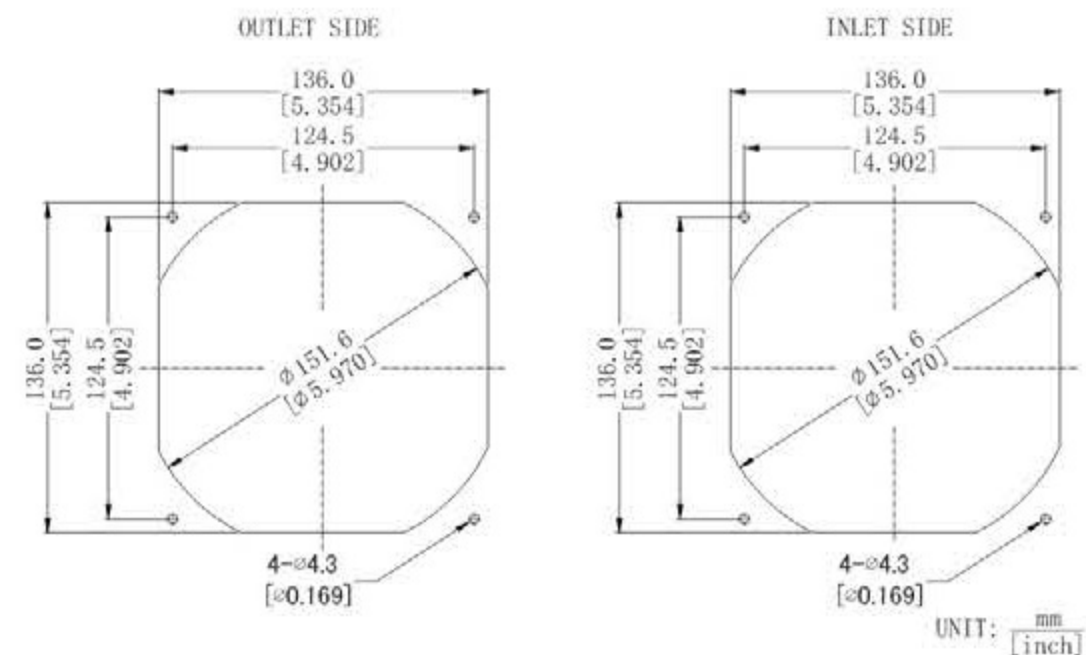
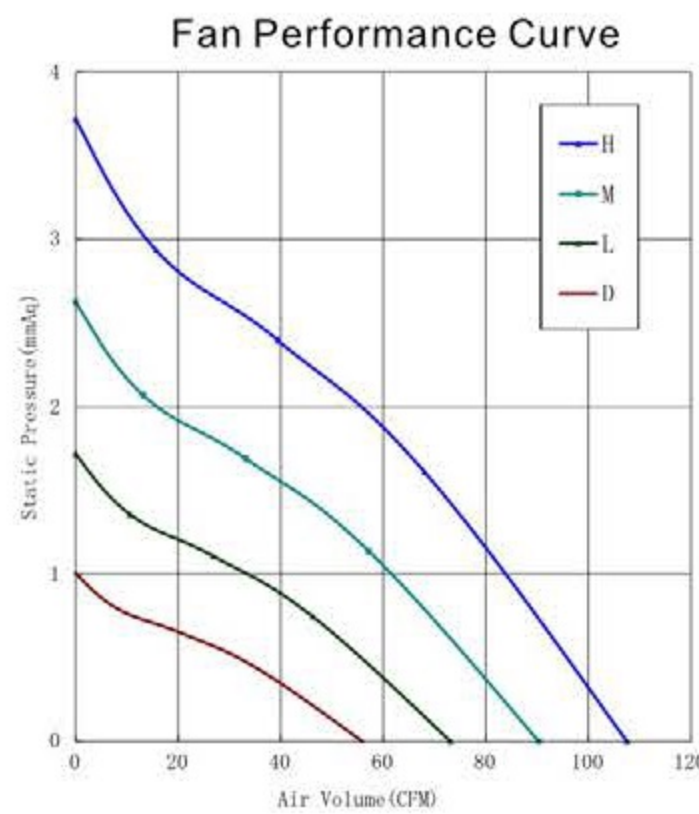
|    |    |    |    |
|----|----|----|----|
| RP | SS | AS | CL |
| ●  | ●  | ●  | ●  |

##### 2. 信号输出(Signal output)

|    |    |    |    |
|----|----|----|----|
| FG | RD | RD | LD |
| ●  | ●  | ●  | ●  |

##### 3. 调速方式(Speed control mode)

|     |    |    |    |    |
|-----|----|----|----|----|
| PWM | TP | VC | RC | CS |
| ●   | ●  | ●  | ●  | ●  |



| Part Number | Voltage(V) | Current(A) | Power(W) | Speed(RPM) | Air flow(Q) |                     | Pressure(P) |                       | Noise(dBA) |
|-------------|------------|------------|----------|------------|-------------|---------------------|-------------|-----------------------|------------|
| 产品编号        | 电压范围       | 额定电流       | 功率       | 转速         | (CFM) 风量    | m <sup>3</sup> /min | (mmAq)风压    | (In H <sub>2</sub> O) | 噪音         |
| RS1425x12D  | 12(7~14)   | 0.01       | 0.12     | 1200       | 55.90       | 1.58                | 1.00        | 0.04                  | 26.8       |
| RS1425x12L  |            | 0.13       | 1.56     | 1600       | 73.10       | 2.07                | 1.72        | 0.07                  | 33.4       |
| RS1425x12M  |            | 0.20       | 2.40     | 2000       | 90.30       | 2.56                | 2.62        | 0.10                  | 39.4       |
| RS1425x12H  |            | 0.36       | 4.32     | 2400       | 107.50      | 3.04                | 3.72        | 0.15                  | 43.8       |
| RS1425x24D  | 24(15~27)  | 0.05       | 1.20     | 1200       | 55.90       | 1.58                | 1.00        | 0.04                  | 26.8       |
| RS1425x24L  |            | 0.07       | 1.68     | 1600       | 73.10       | 2.07                | 1.72        | 0.07                  | 33.4       |
| RS1425x24M  |            | 0.10       | 2.40     | 2000       | 90.30       | 2.56                | 2.62        | 0.10                  | 39.4       |
| RS1425x24H  |            | 0.18       | 4.32     | 2400       | 107.50      | 3.04                | 3.72        | 0.15                  | 43.8       |

- ★ 如果您需要的转速或电压或功能不在这份清单上, 请与我们联系。  
If you want another rpm or voltage or functions which one is not in the list, please contact with our sales.
- ★ 提示1:功能的具体信息参照产品目录前页篇章。  
Notes1:The catalog have detail information in the front page for the functions.
- ★ 提示2:产品详细信息请参照承认书。  
Notes2:Product have a detail in the approval sheet.
- ★ 提示3:产品规格变更不另行通知。  
Notes3:Specifications are subject to change without notice.