

DC AXIAL FAN

RUNDA
www.szrunda.com

20x20x10mm

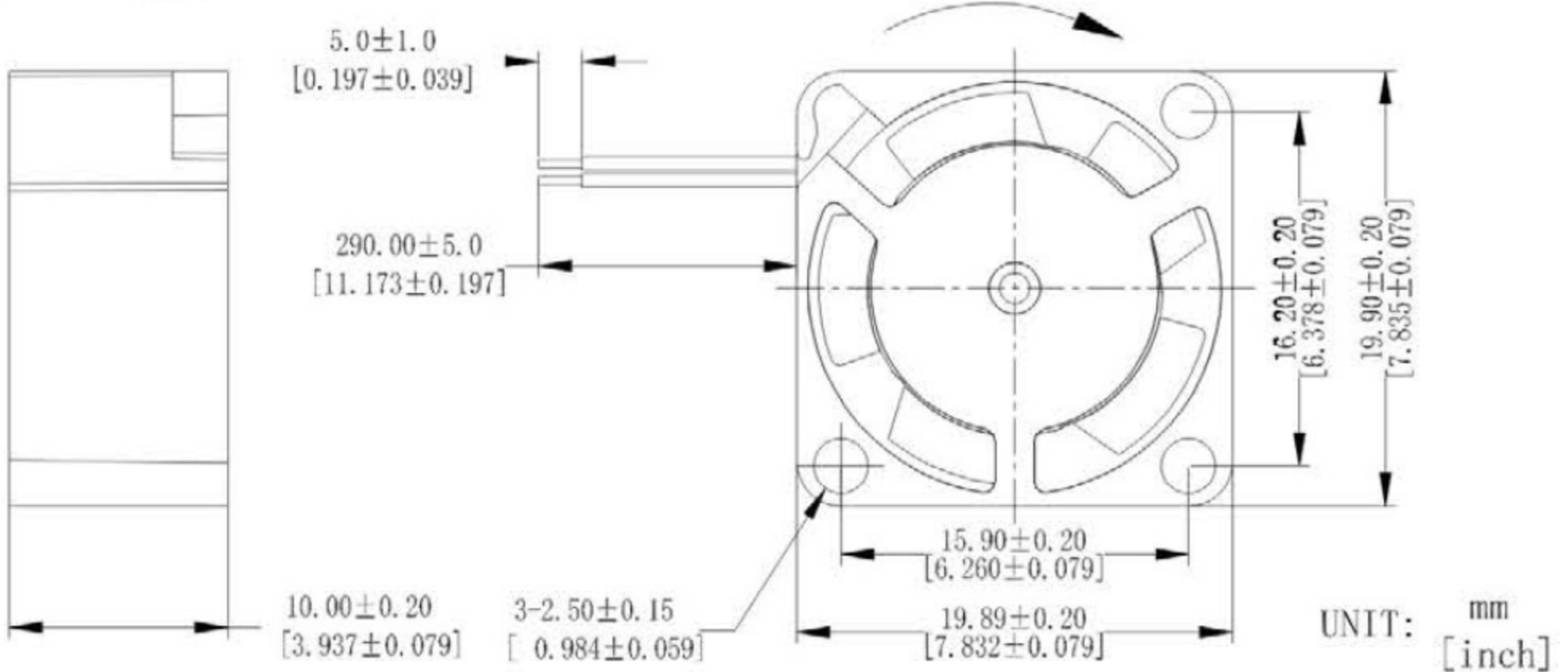
RS2010 Series



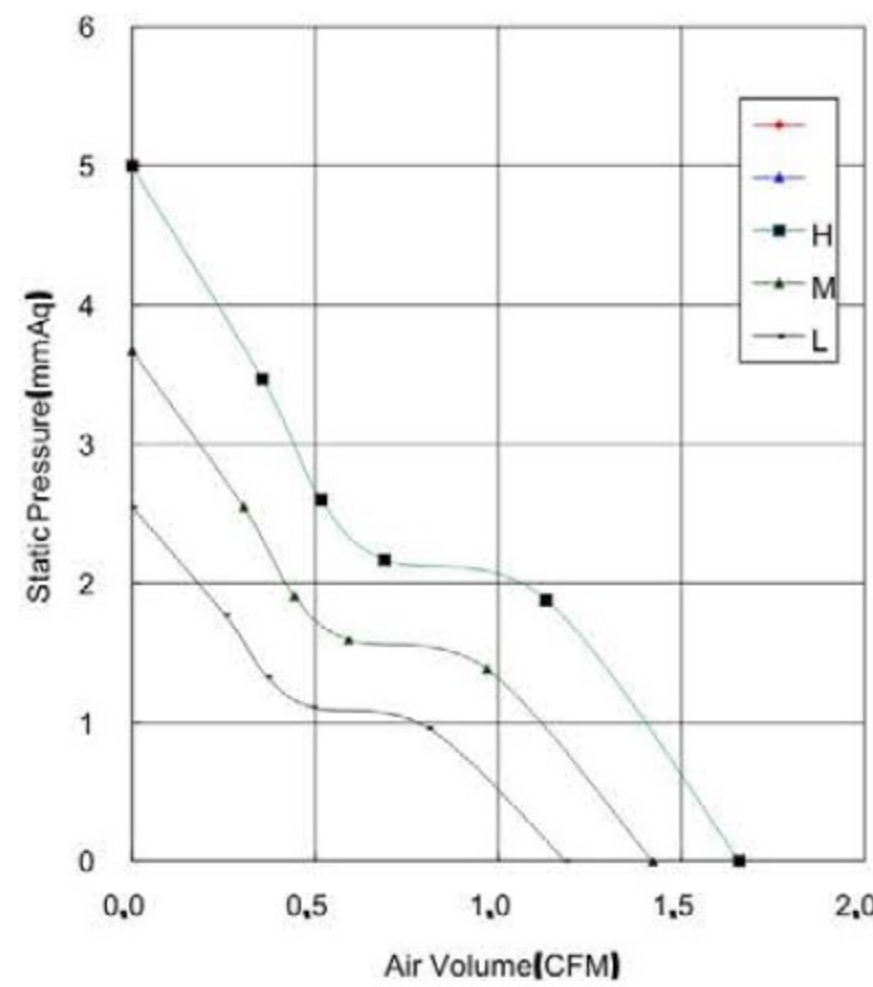
外框材质:环保防火PBT
Frame: Thermoplastic PBT UL94-V0
扇叶材质:环保防火PBT
Impeller: Thermoplastic PBT UL94-V0
轴承结构:双滚珠或长寿命含油结构
Bearing system: 2Ball or Long life sleeve
单体风扇重量:6g
Unit Weight:6g

DIMENSIONS DRAWING

Air Flow

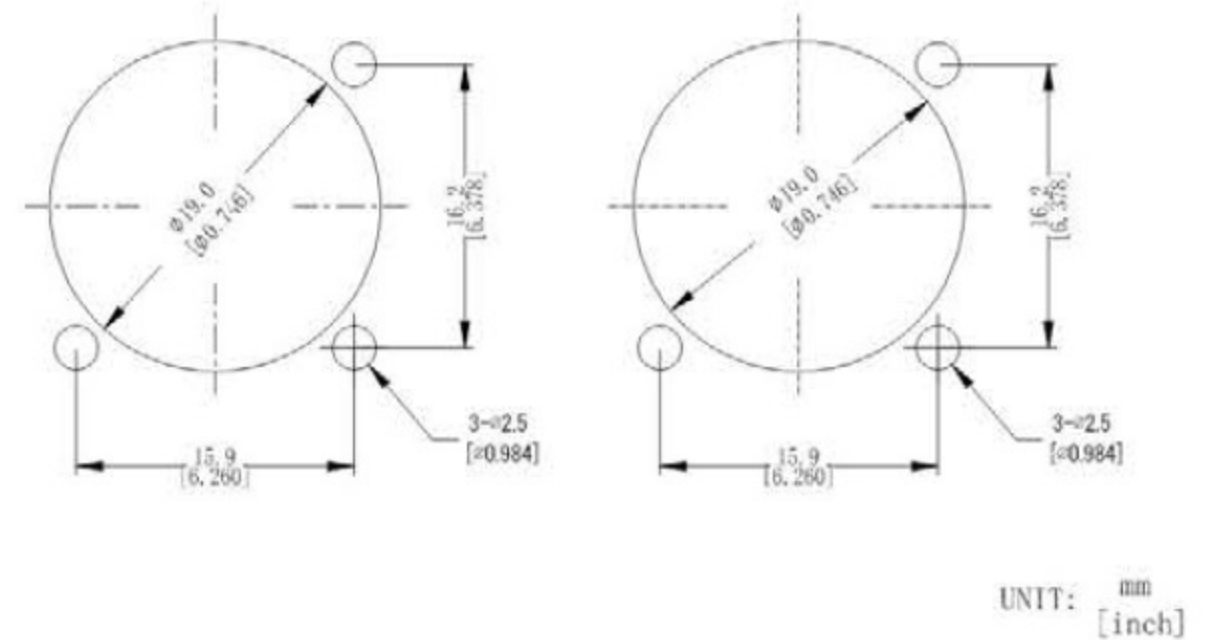


Fan Performance Curve



OUTLET SIDE

INLET SIDE



可选的功能参照列表 (Available Functions)

1. 马达保护 (Motor protection)

RP	SS	AS	CL
●	○	●	○

2. 信号输出 (Signal output)

FG	RD	RD	LD
●	●	○	○

3. 调速方式 (Speed control mode)

PWM	TP	VC	RC	CS
○	○	○	○	○

Part Number	Voltage (V)	Current (A)	Power (W)	Speed (RPM)	Air flow (Q)	Pressure (P)	Noise (dBA)		
产品编号	电压范围	额定电流	功率	转速	(CFM)风量	m ³ /min (mmAq)风压 (In H ₂ O)	噪音		
RS2010x05L	5 (4~6)	0.07	0.35	10000	1.18	0.03	2.55	0.10	21.6
RS2010x05M		0.09	0.45	12000	1.42	0.04	3.67	0.14	23.0
RS2010x05H		0.16	0.80	14000	1.66	0.05	5.00	0.20	23.2

★ 如果您需要的转速或电压或功能不在这份清单上, 请与我们联系。
If you want another rpm or voltage or functions which one is not in the list, please contact with our sales.

★ 提示1: 功能的具体信息参照产品目录前页篇章。
Notes1: The catalog have detail information in the front page for the functions.

★ 提示2: 产品详细信息请参照承认书。
Notes2: Product have a detail in the approval sheet.

★ 提示3: 产品规格变更不另行通知。
Notes3: Specifications are subject to change without notice.