

DC AXIAL FAN

RUNDA
www.szrunda.com

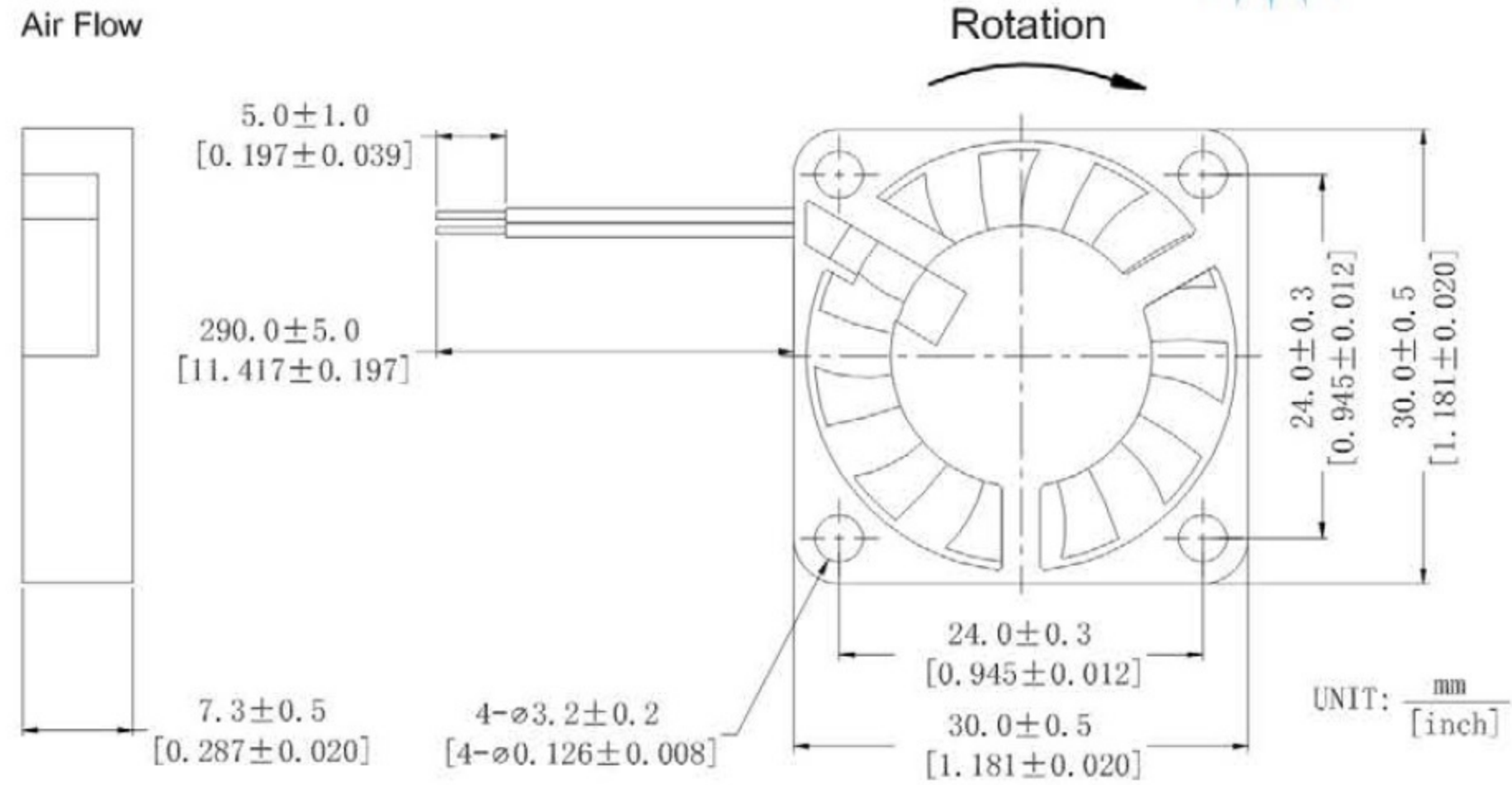
30x30x7mm

RS3007 Series



外框材质:环保防火PBT
Frame:Thermoplastic PBT UL94-V0
扇叶材质:环保防火PBT
Impeller:Thermoplastic PBT UL94-V0
轴承结构:双滚珠或长寿命含油结构
Bearing system:2Ball or Long life sleeve
单体风扇重量:6g
Unit Weight:6g

DIMENSIONS DRAWING



可选的功能参照列表 (Available Functions)

1. 马达保护(Motor protection)

RP	SS	AS	CL
●	○	●	○

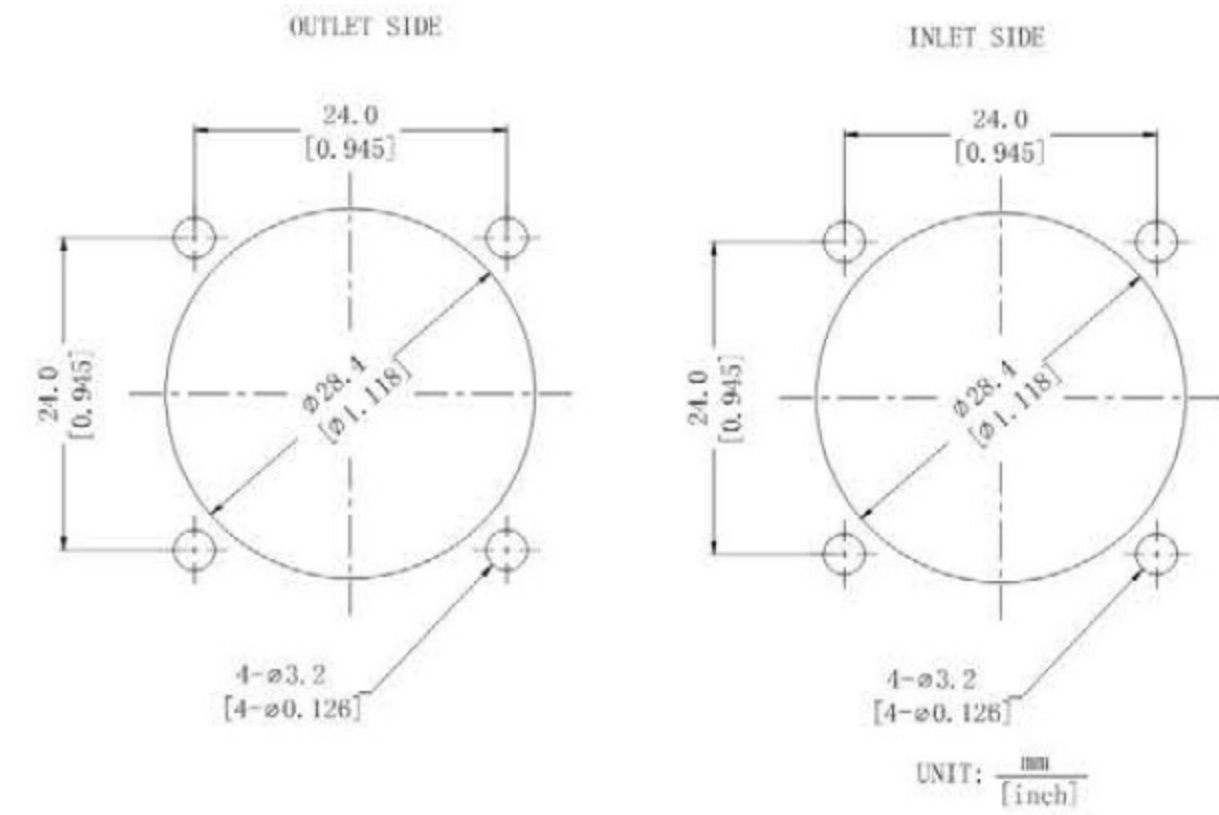
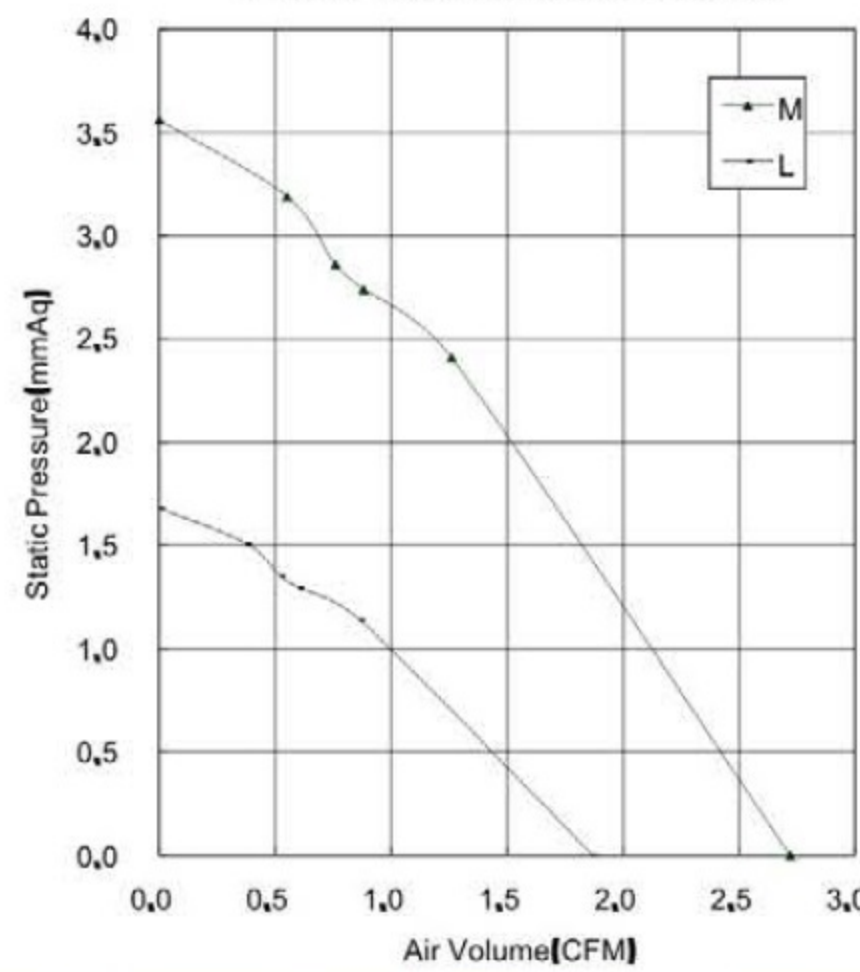
2. 信号输出(Signal output)

FG	RD	RD	LD
●	●	○	○

3. 调速方式(Speed control mode)

PWM	TP	VC	RC	CS
○	○	○	○	○

Fan Performance Curve



Part Number	Voltage (V)	Current (A)	Power (W)	Speed (RPM)	Air flow (Q)	Pressure (P)	Noise (dBA)
产品编号	电压范围	额定电流	功率	转速	(CFM)风量	m ³ /min (mmAq)风压	(In H ₂ O) 噪音
RS3007x05D	5(4~6)	0.07	0.35	5500	1.87	0.05	26.1
RS3007x05L		0.10	0.50	8000	2.72	0.08	30.2

★ 如果您需要的转速或电压或功能不在这份清单上, 请与我们联系。
If you want another rpm or voltage or functions which one is not in the list, please contact with our sales.

★ 提示1:功能的具体信息参照产品目录前页篇章。
Notes1:The catalog have detail information in the front page for the functions.

★ 提示2:产品详细信息请参照承认书。
Notes2:Product have a detail in the approval sheet.

★ 提示3:产品规格变更不另行通知。
Notes3:Specifications are subject to change without notice.