

# DC AXIAL FAN

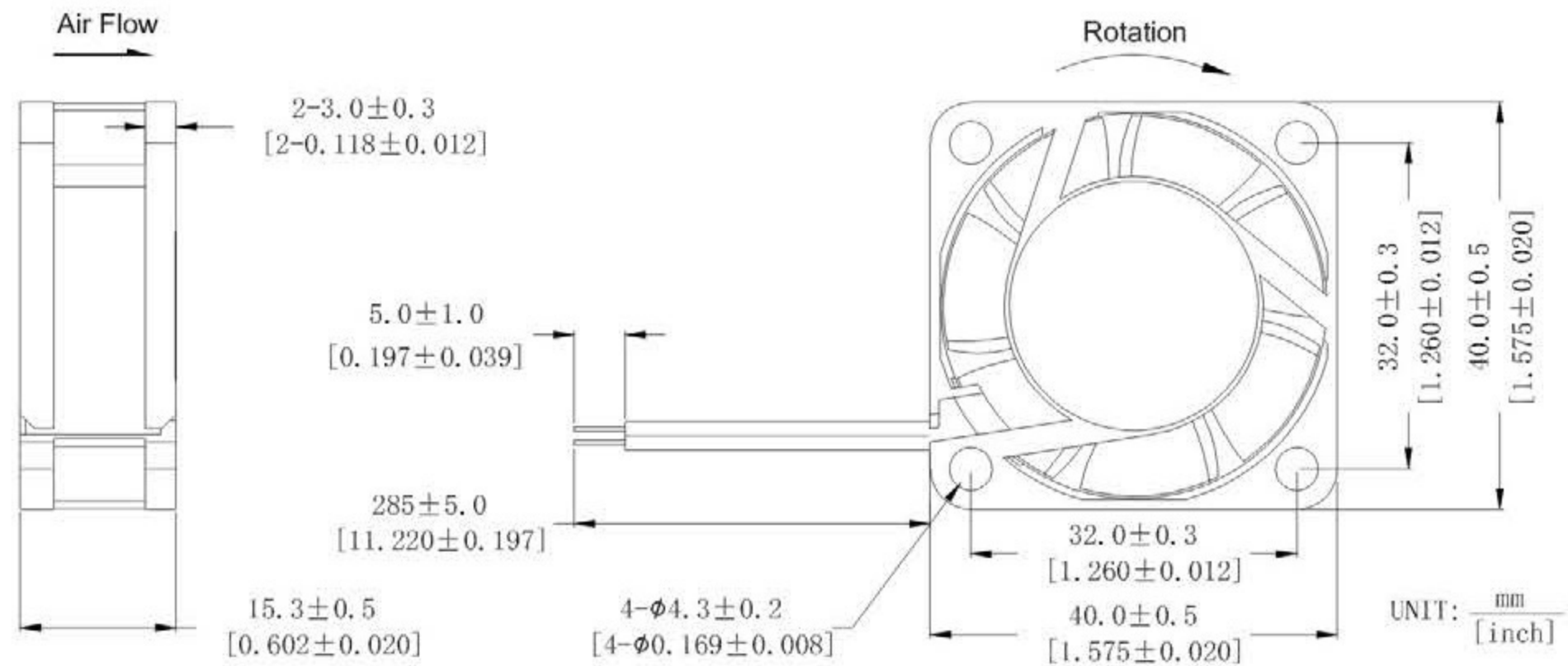
**RUNDA**  
www.szrunda.com

## 40x40x15mm

### RS4015 Series



DIMENSIONS DRAWING



外框材质:环保防火PBT  
Frame:Thermoplastic PBT UL94-V0  
扇叶材质:环保防火PBT  
Imperller:Thermoplastic PBT UL94-V0  
轴承结构:双滚珠或长寿命含油结构  
Bearing system:2Ball or Long life sleeve  
单体风扇重量:17g  
Unit Weight:17g

#### 可选的功能参照列表 (Available Functions)

1.马达保护(Motor protection)

RP	SS	AS	CL
●	○	●	○

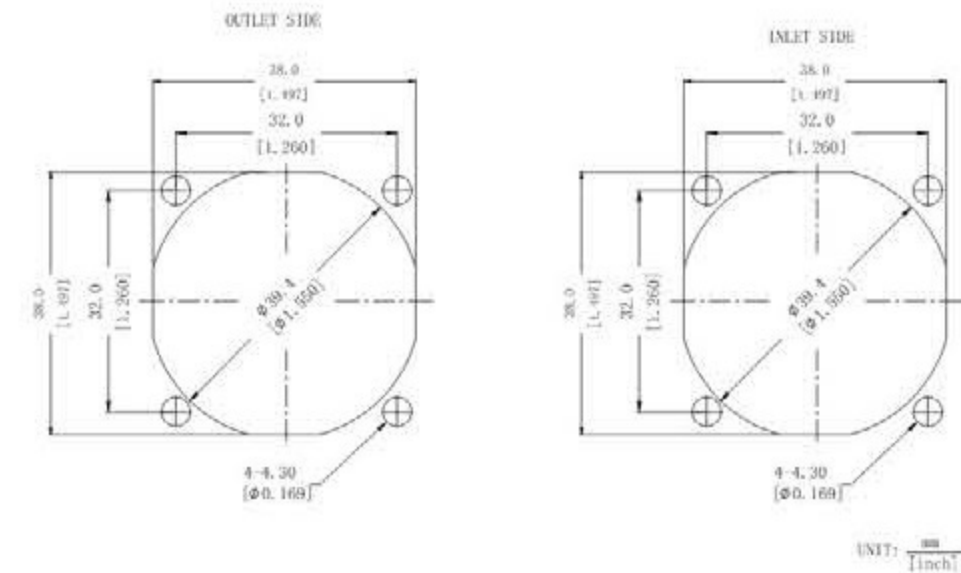
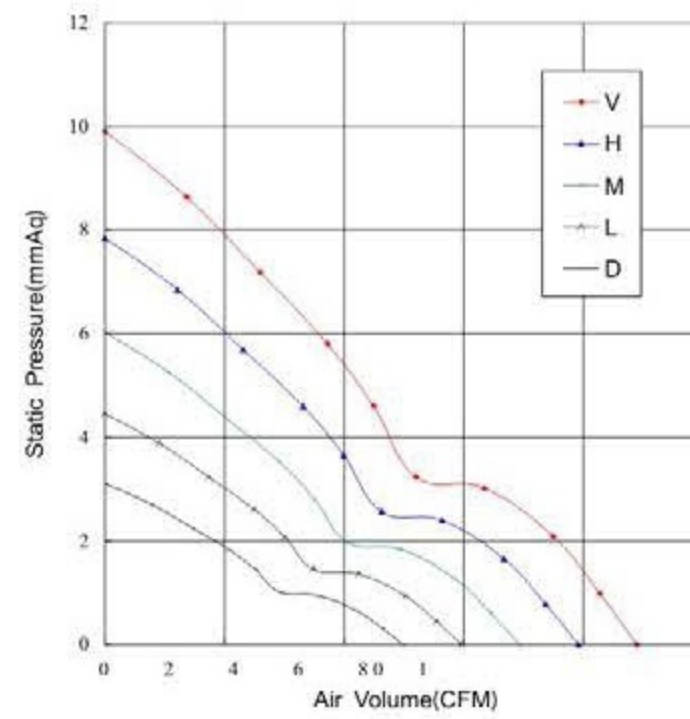
2.信号输出(Signal output)

FG	RD	RD	LD
●	●	○	○

3.调速方式(Speed control mode)

PWM	TP	VC	RC	CS
●	○	○	○	○

Fan Performance Curve



Part Number	Voltage(V)	Current(A)	Power(W)	Speed(RPM)	Air flow(Q)	Pressure(P)	Noise(dBA)
产品编号	电压范围	额定电流	功率	转速	(CFM)风量	(mmAq)风压	(In H <sub>2</sub> O) 噪音
RS4015x05D	5(4~6)	0.12	0.6	5000	5.00	3.10	18.6
RS4015x05L		0.15	0.75	6000	6.00	4.50	23.3
RS4015x05M		0.24	1.2	7000	6.90	6.00	27.3
RS4015x05H		0.32	1.6	8000	7.90	7.80	30.8
RS4015x12L	12(7~14)	0.05	0.6	6000	6.00	4.50	23.3
RS4015x12M		0.1	1.2	7000	6.90	6.00	27.3
RS4015x12H		0.14	1.68	8000	7.90	7.80	30.8
RS4015x12VH		0.16	1.92	9000	8.90	9.90	33.9
RS4015x24M	24(15~27)	0.06	1.44	7000	6.90	6.00	27.3
RS4015x24H		0.07	1.68	8000	7.90	7.80	30.8
RS4015x24VH		0.08	1.92	9000	8.90	9.90	33.9

★ 如果您需要的转速或电压或功能不在这份清单上, 请与我们联系。  
If you want another rpm or voltage or functions which one is not in the list, please contact with our sales.

★ 提示1:功能的具体信息参照产品目录前页篇章。  
Notes1:The catalog have detail information in the front page for the functions.

★ 提示2:产品详细信息请参照承认书。  
Notes2:Product have a detail in the approval sheet.

★ 提示3:产品规格变更不另行通知。  
Notes3:Specifications are subject to change without notice.

★ 提示4:调速方式只能制作12V机型。  
Note4:Speed control mode only for 12V products.