

# DC AXIAL FAN

## 50x50x20mm

### RS5020 Series

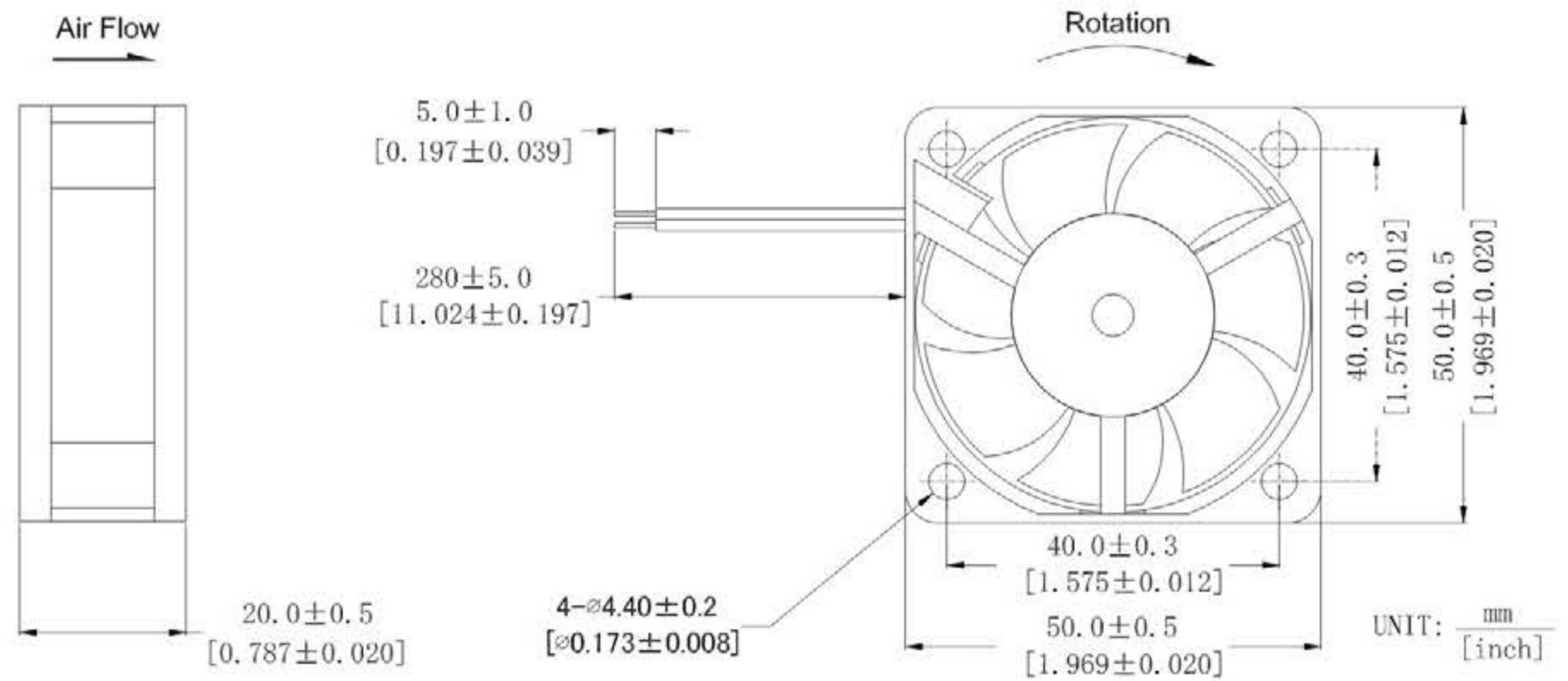


# RUNDA

www.szrunda.com



DIMENSIONS DRAWING



外框材质:环保防火PBT  
 Frame:Thermoplastic PBT UL94-V0  
 扇叶材质:环保防火PBT  
 Imperller:Thermoplastic PBT UL94-V0  
 轴承结构:双滚珠或长寿命含油结构  
 Bearing system:2Ball or Long life sleeve  
 单体风扇重量:32g  
 Unit Weight:32g

#### 可选的功能参照列表 (Available Functions)

##### 1.马达保护(Motor protection)

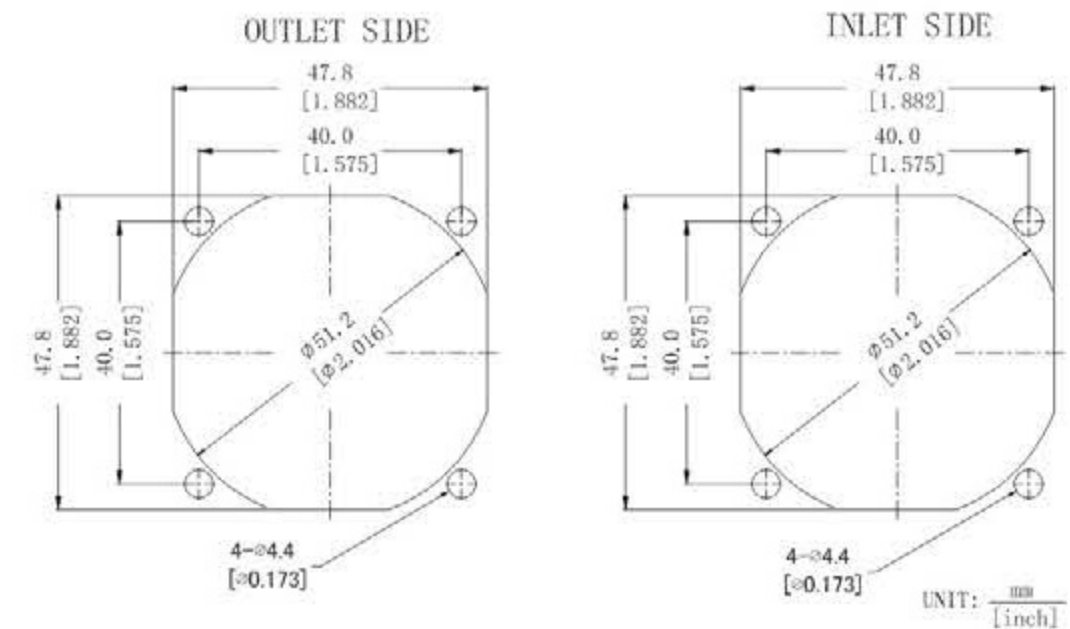
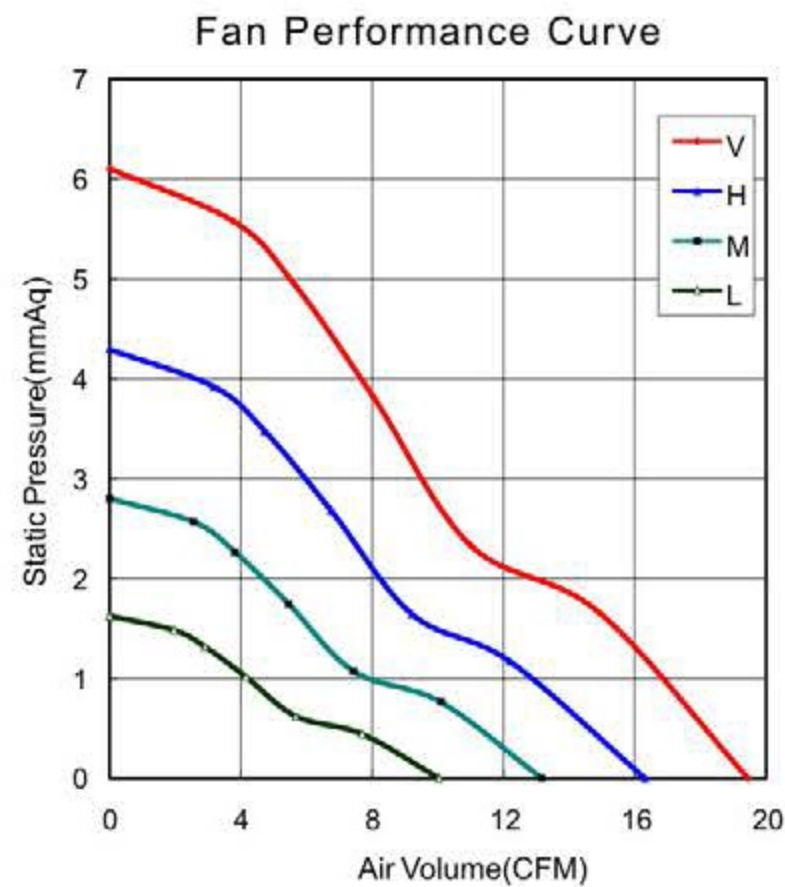
RP	SS	AS	CL
●	○	●	○

##### 2.信号输出(Signal output)

FG	RD	RD	LD
●	●	○	○

##### 3.调速方式(Speed control mode)

PWM	TP	VC	RC	CS
●	○	○	○	○



Part Number	Voltage(V)	Current(A)	Power(W)	Speed(RPM)	Air flow(Q)	Pressure(P)	Noise(dBA)
产品编号	电压范围	额定电流	功率	转速	(CFM)风量	m <sup>3</sup> /min (mmAq)风压 (In H <sub>2</sub> O)	噪音
RS5020x05L	5(4~6)	0.16	0.80	3200	10.04	0.28	25.0
RS5020x05M		0.32	1.60	4200	13.17	0.37	28.8
RS5020x12L	12(7~14)	0.06	0.72	3200	10.04	0.28	25.0
RS5020x12M		0.14	1.68	4200	13.17	0.37	28.8
RS5020x12H		0.18	2.16	5200	16.31	0.46	33.2
RS5020x12VH		0.22	2.64	6200	19.44	0.55	37.5
RS5020x24H	24(15~27)	0.09	2.16	5200	16.31	0.46	33.2
RS5020x24VH		0.11	2.64	6200	19.44	0.55	37.5

★ 如果您需要的转速或电压或功能不在这份清单上, 请与我们联系。  
 If you want another rpm or voltage or functions which one is not in the list, please contact with our sales.

★ 提示1:功能的具体信息参照产品目录前页篇章。  
 Notes1:The catalog have detail information in the front page for the functions.

★ 提示2:产品详细信息请参照承认书。  
 Notes2:Product have a detail in the approval sheet.

★ 提示3:产品规格变更不另行通知。  
 Notes3:Specifications are subject to change without notice.

★ 提示4:调速方式只能制作12V机型。  
 Note4:Speed control mode only for 12V products.