

DC AXIAL FAN

RUNDA
www.szrunda.com

60x60x10mm

RS6010 Series



外框材质:环保防火PBT
Frame:Thermoplastic PBT UL94-V0
扇叶材质:环保防火PBT
Imperller:Thermoplastic PBT UL94-V0
轴承结构:双滚珠或长寿命含油结构
Bearing system:2Ball or Long life sleeve
单体风扇重量:26g
Unit Weight:26g

可选的功能参照列表 (Available Functions)

1.马达保护(Motor protection)

RP	SS	AS	CL
●	○	●	○

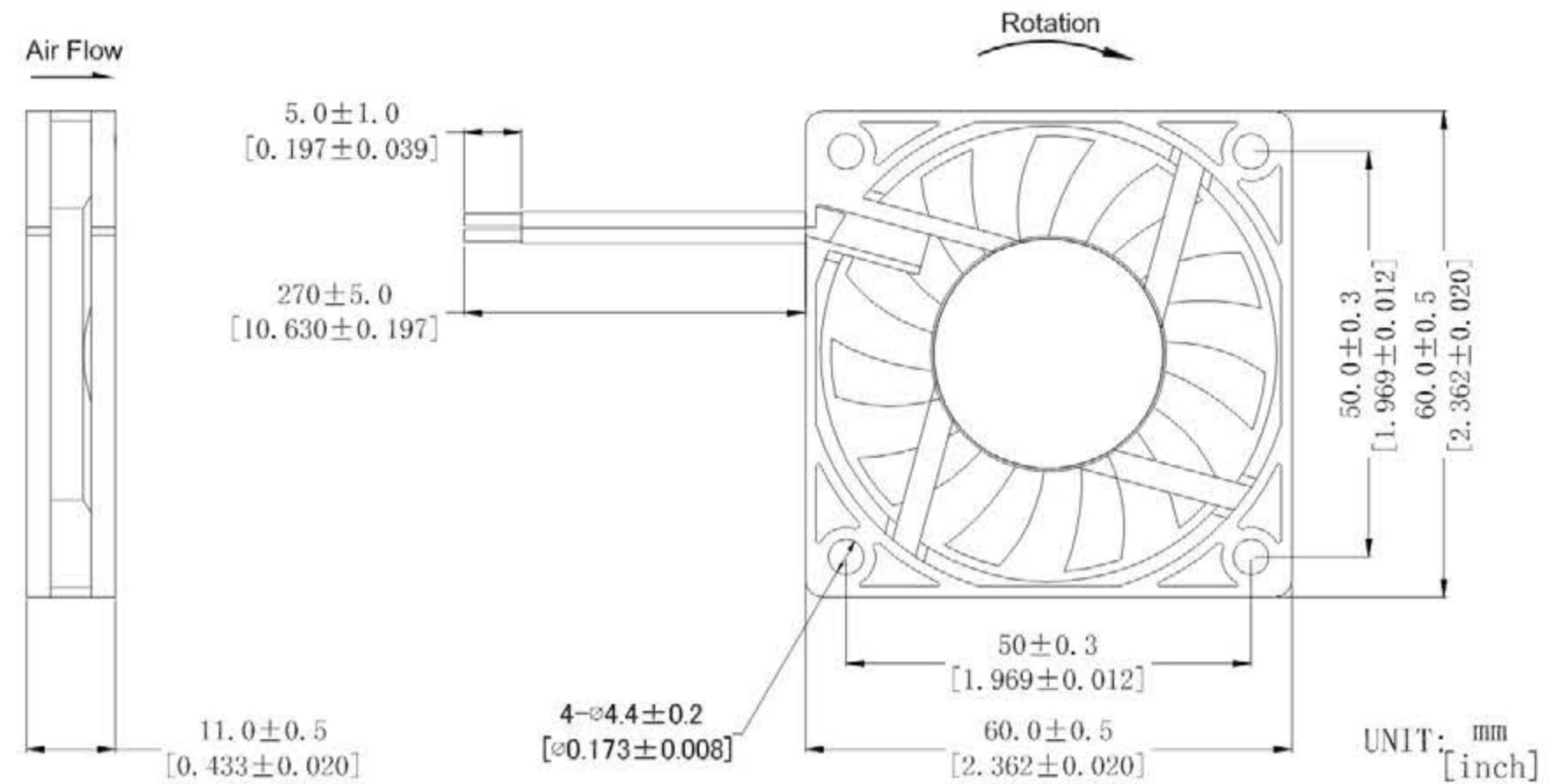
2.信号输出(Signal output)

FG	RD	RD	LD
●	●	○	○

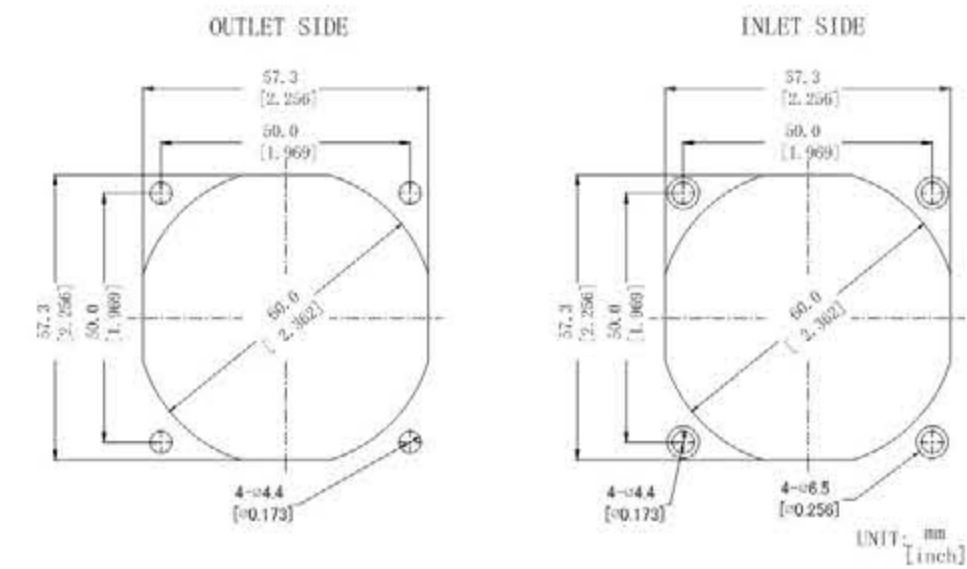
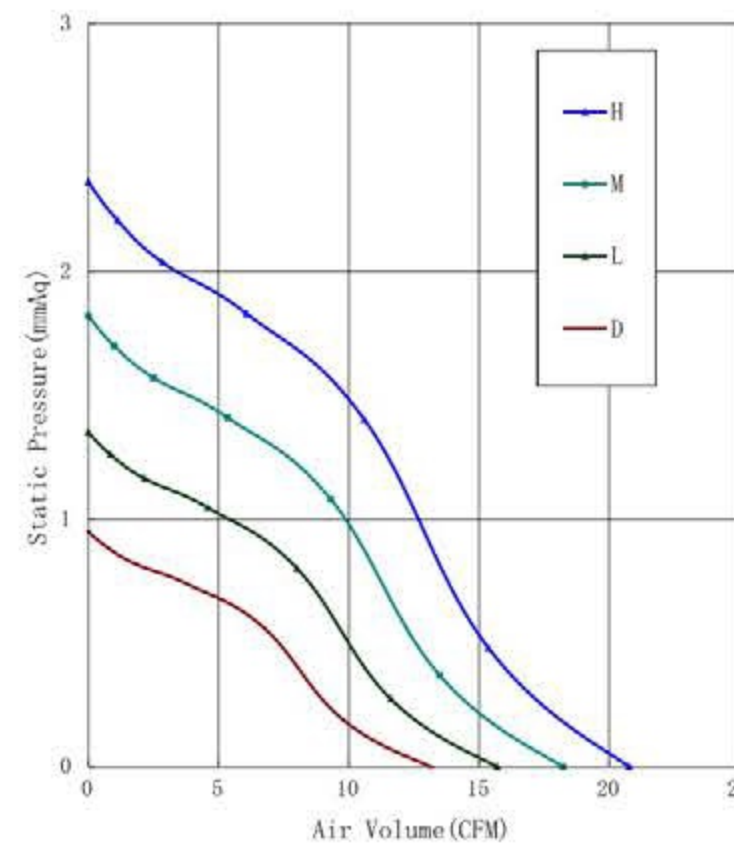
3.调速方式(Speed control mode)

PWM	TP	VC	RC	CS
●	○	○	○	○

DIMENSIONS DRAWING



Fan Performance Curve



Part Number	Voltage(V)	Current(A)	Power(W)	Speed(RPM)	Air flow(Q)	Pressure(P)	Noise(dBA)
产品编号	电压范围	额定电流	功率	转速	(CFM) 风量	(mmAq)风压	噪音
RS6010x05L	5(4~6)	0.15	0.75	2500	13.17	0.37	21.6
RS6010x05M		0.27	1.35	3000	15.70	0.44	24.0
RS6010x05H		0.34	1.7	3500	18.23	0.52	26.7
RS6010x12L	12(7~14)	0.06	0.72	2500	13.17	0.37	21.6
RS6010x12M		0.11	1.32	3000	15.70	0.44	24.0
RS6010x12H		0.14	1.68	3500	18.23	0.52	26.7
RS6010x12VH		0.18	2.16	4000	20.76	0.59	29.2
RS6010x24M	24(15~27)	0.55	13.2	3000	15.31	0.43	24.0
RS6010x24H		0.07	1.68	3500	17.80	0.50	26.7
RS6010x24VH		0.09	2.16	4000	20.76	0.59	29.2

★ 如果您需要的转速或电压或功能不在这份清单上, 请与我们联系。
If you want another rpm or voltage or functions which one is not in the list, please contact with our sales.

★ 提示1:功能的具体信息参照产品目录前页篇章。
Notes1:The catalog have detail information in the front page for the functions.

★ 提示2:产品详细信息请参照承认书。
Notes2:Product have a detail in the approval sheet.

★ 提示3:产品规格变更不另行通知。
Notes3:Specifications are subject to change without notice.

★ 提示4:调速方式只能制作12V机型。
Note4:Speed control mode only for 12V products.