

DC AXIAL FAN

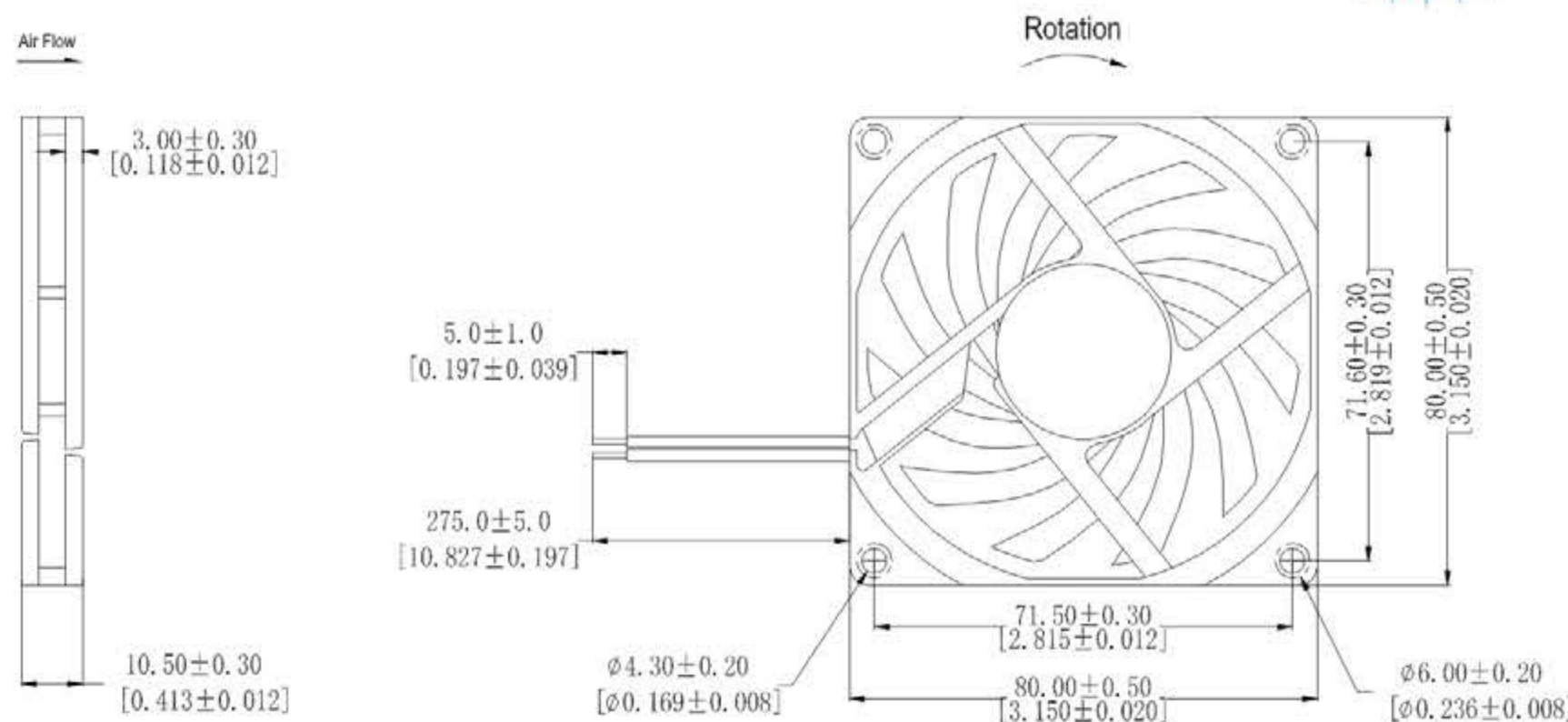
RUNDA
www.szrunda.com

80x80x10mm

RS8010 Series



DIMENSIONS DRAWING



UNIT: $\frac{\text{mm}}{\text{inch}}$

外框材质:环保防火PBT
Frame:Thermoplastic PBT UL94-V0
扇叶材质:环保防火PBT
Imperller:Thermoplastic PBT UL94-V0
轴承结构:双滚珠或长寿命含油结构
Bearing system:2Ball or Long life sleeve
单体风扇重量:48g
Unit Weight:48g

可选的功能参照列表
(Available Functions)

1. 马达保护(Motor protection)

RP	SS	AS	CL
●	●	●	●

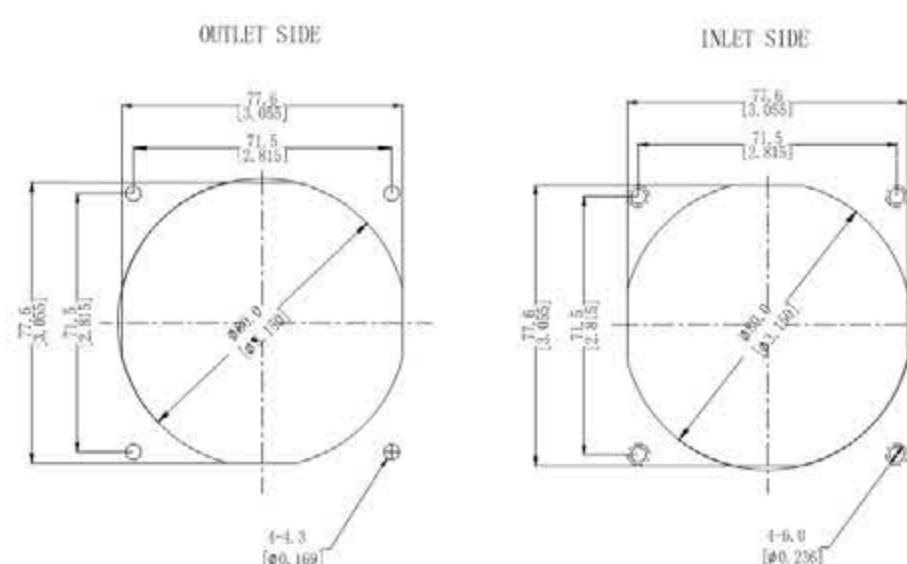
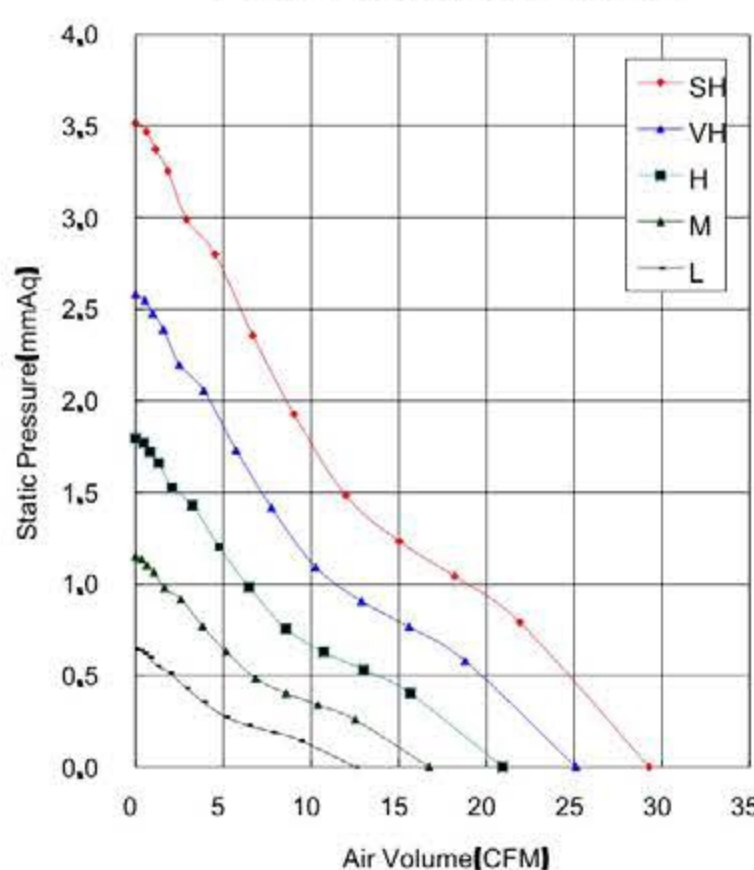
2. 信号输出(Signal output)

FG	RD	RD	LD
●	●	●	●

3. 调速方式(Speed control mode)

PWM	TP	VC	RC	CS
●	●	●	●	●

Fan Performance Curve



UNIT: $\frac{\text{mm}}{\text{inch}}$

Part Number	Voltage(V)	Current(A)	Power(W)	Speed(RPM)	Air flow(Q)	Pressure(P)	Noise(dBA)
产品编号	电压范围	额定电流	功率	转速	(CFM) 风量	(mmAq)风压	噪音
RS8010x05D	5(4~6)	0.08	0.38	1500	12.55	0.36	20.0
RS8010x05L		0.11	0.55	2000	16.73	0.47	22.6
RS8010x05M		0.21	1.05	2500	20.91	0.59	26.6
RS8010x12D	12(7~14)	0.03	0.36	1500	12.55	0.36	20.0
RS8010x12L		0.05	0.54	2000	16.73	0.47	22.6
RS8010x12M		0.09	1.02	2500	20.91	0.59	26.6
RS8010x12H		0.15	1.80	3000	25.10	0.71	31.3
RS8010x12VH		0.19	2.28	3500	29.28	0.83	34.6
RS8010x24M	24(15~27)	0.05	1.20	2500	20.91	0.59	26.6
RS8010x24H		0.08	1.92	3000	25.10	0.71	31.3
RS8010x24VH		0.10	2.40	3500	29.28	0.83	34.6

★ 如果您需要的转速或电压或功能不在这份清单上, 请与我们联系。
If you want another rpm or voltage or functions which one is not in the list, please contact with our sales.

★ 提示1: 功能的具体信息参照产品目录前页篇章。
Notes1: The catalog have detail information in the front page for the functions.

★ 提示2: 产品详细信息请参照承认书。
Notes2: Product have a detail in the approval sheet.

★ 提示3: 产品规格变更不另行通知。
Notes3: Specifications are subject to change without notice.