

DC AXIAL FAN

RUNDA
www.szrunda.com

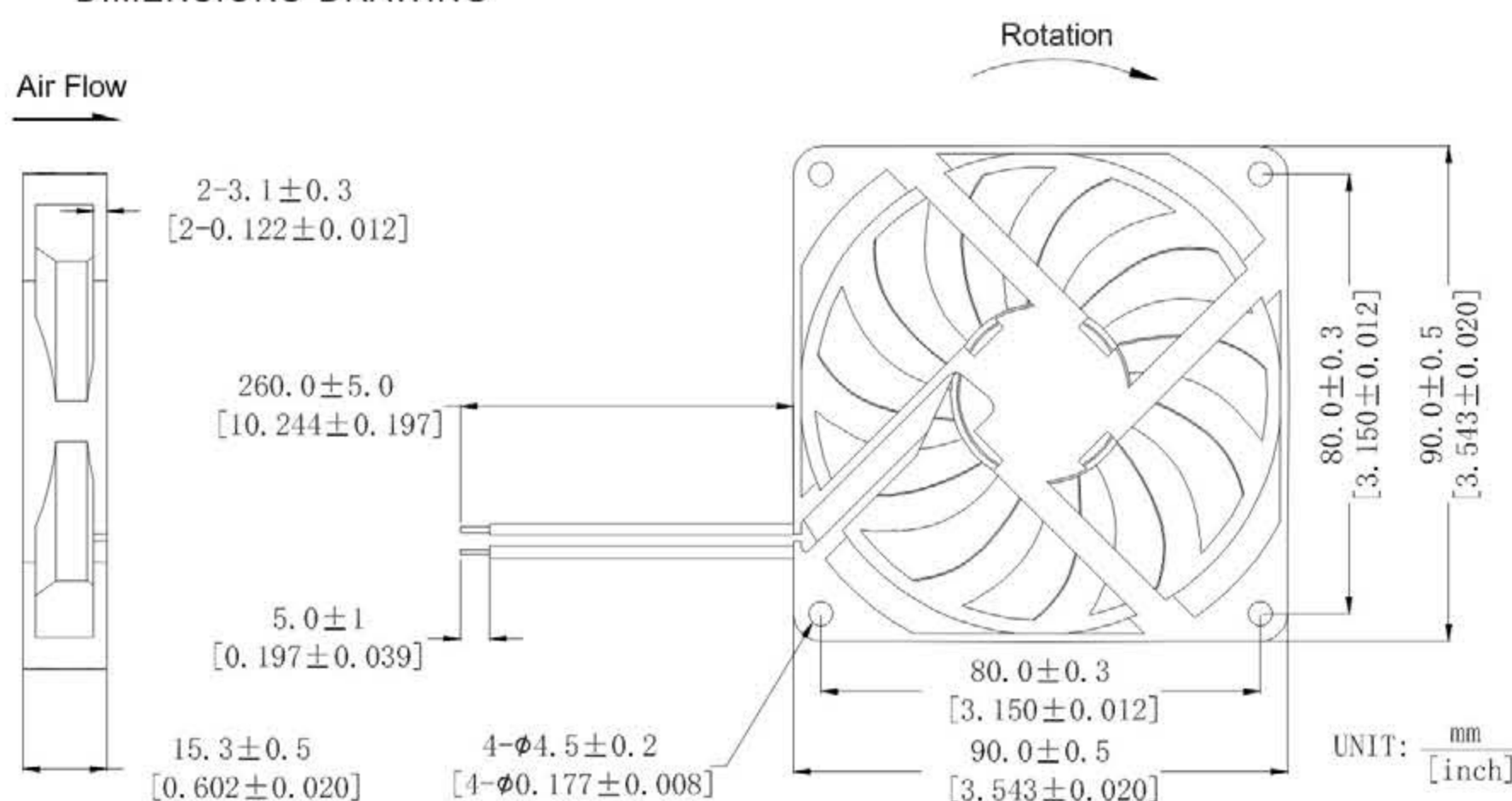
90x90x15mm

RS9015Series

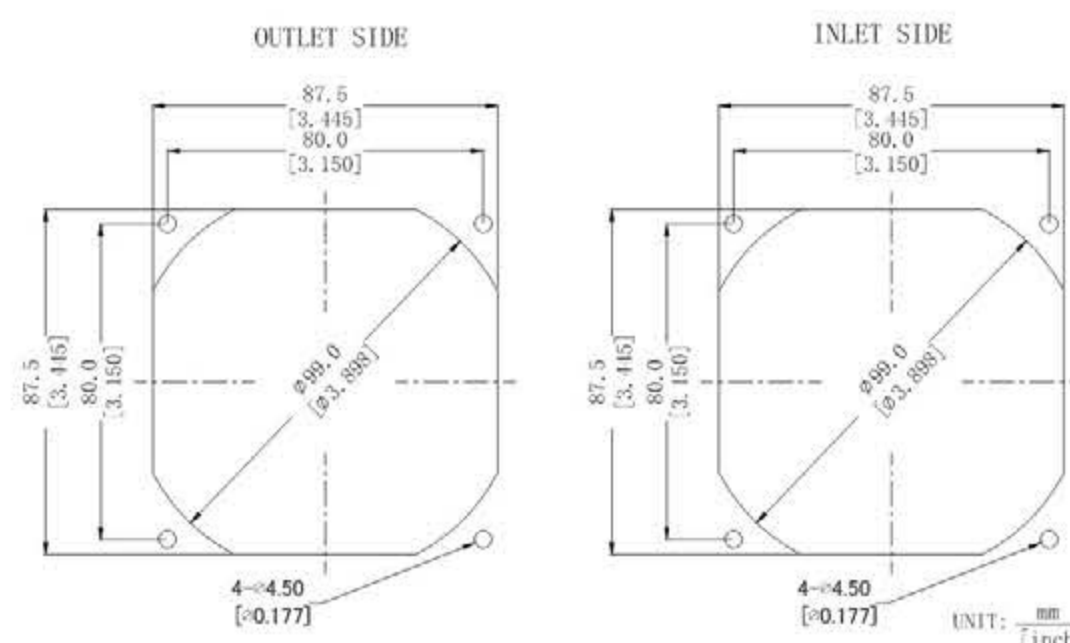
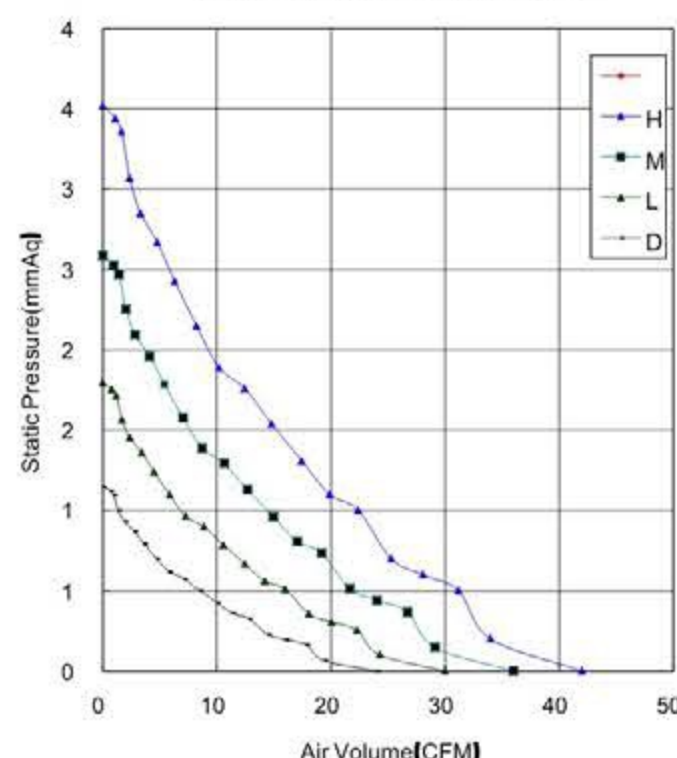


外框材质:环保防火PBT
Frame:Thermoplastic PBT UL94-V0
扇叶材质:环保防火PBT
Imperller:Thermoplastic PBT UL94-V0
轴承结构:双滚珠或长寿命含油结构
Bearing system:2Ball or Long life sleeve
单体风扇重量:50g
Unit Weight:50g

DIMENSIONS DRAWING



Fan Performance Curve



可选的功能参照列表
(Available Functions)

1. 马达保护 (Motor protection)

RP	SS	AS	CL
●	●	●	●

2. 信号输出 (Signal output)

FG	RD	R \bar{D}	LD
●	●	●	●

3. 调速方式 (Speed control mode)

PWM	TP	VC	RC	CS
●	●	●	●	●

Part Number	Voltage(V)	Current(A)	Power(W)	Speed(RPM)	Air flow(Q)	Pressure(P)	Noise(dBA)
产品编号	电压范围	额定电流	功率	转速	(CFM) 风量	(mmAq)风压	噪音
RS9015x05D	5(4~6)	0.17	0.85	2000	23.99	1.15	27.6
RS9015x05L		0.24	1.20	2500	29.99	1.80	31.4
RS9015x12D	12(7~14)	0.07	0.84	2000	23.99	1.15	27.6
RS9015x12L		0.10	1.20	2500	29.99	1.80	31.4
RS9015x12M		0.17	2.04	3000	35.99	2.59	34.5
RS9015x12H		0.26	3.12	3500	41.99	3.52	37.5
RS9015x24M	24(15~27)	0.05	1.20	2500	29.99	1.80	31.4
RS9015x24H		0.08	1.92	3000	35.99	2.59	34.5
RS9015x24VH		0.13	3.12	3500	41.99	3.52	37.5

★ 如果您需要的转速或电压或功能不在这份清单上, 请与我们联系。
If you want another rpm or voltage or functions which one is not in the list, please contact with our sales.

★ 提示1: 功能的具体信息参照产品目录前页篇章。
Notes1: The catalog have detail information in the front page for the functions.

★ 提示2: 产品详细信息请参照承认书。
Notes2: Product have a detail in the approval sheet.

★ 提示3: 产品规格变更不另行通知。
Notes3: Specifications are subject to change without notice.

★ 提示4: 调速方式只能制作12V机型。
Note4: Speed control mode only for 12V products.