

# EC (AC TO DC) FAN

## 160\*160\*50mm

### RT16050 Series



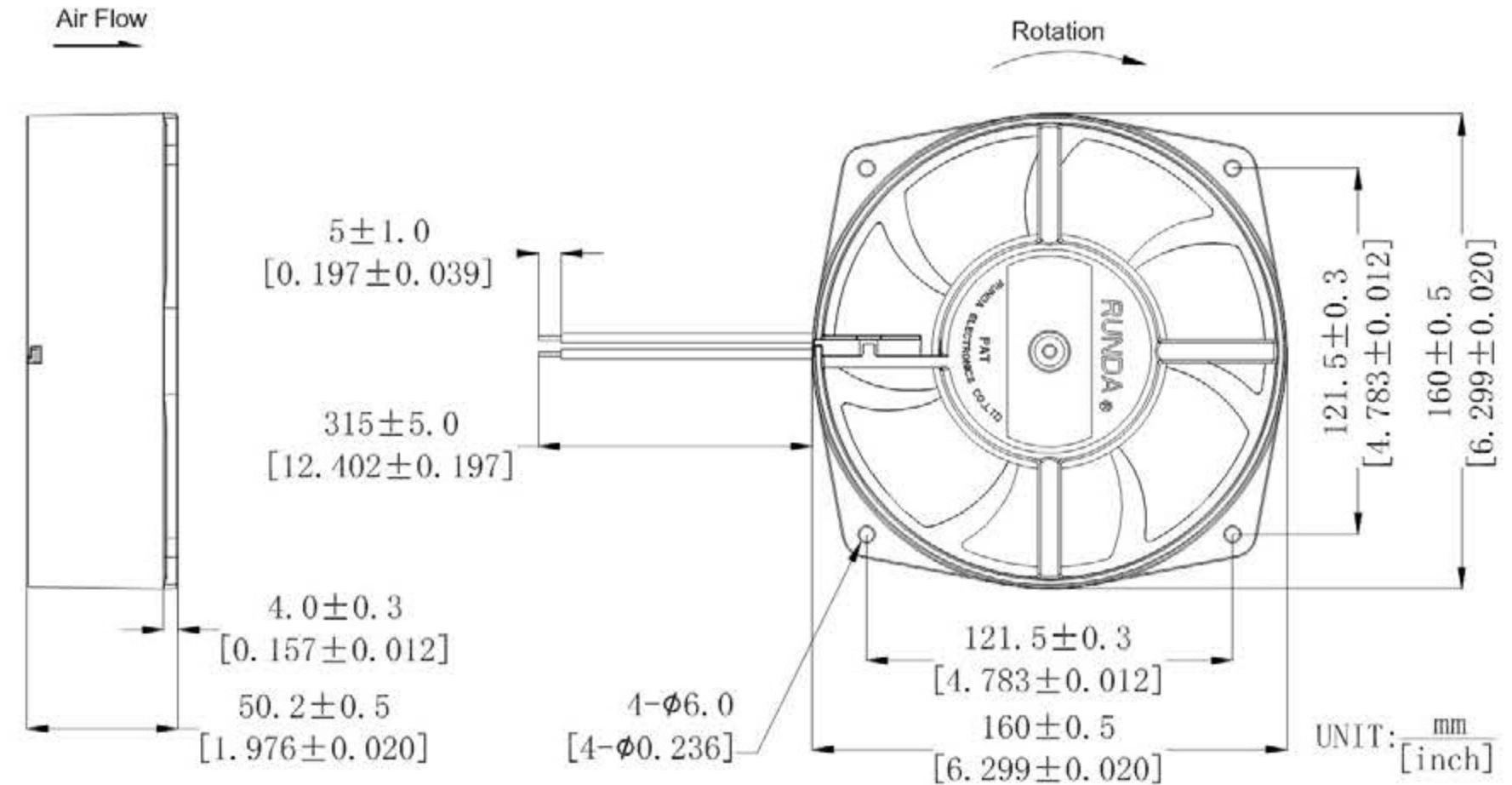
# RUNDA

www.szrunda.com

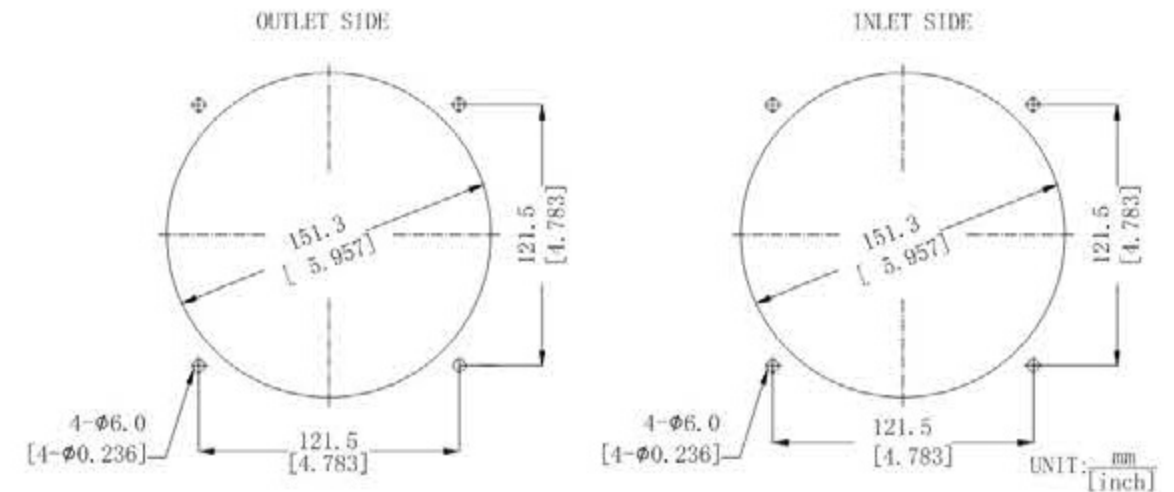
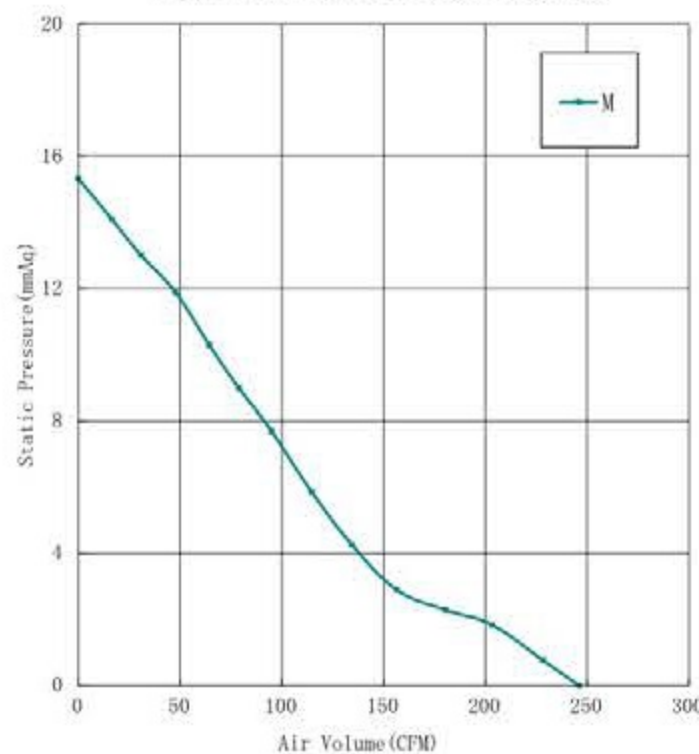


外框材质:环保防火PBT  
Frame:Thermoplastic PBT UL94-V0  
扇叶材质:环保防火PBT  
Imperller:Thermoplastic PBT UL94-V0  
轴承结构:双滚珠  
Bearing system:2Ball  
单体风扇重量:470g  
Unit Weight:470g

DIMENSIONS DRAWING



Fan Performance Curve



#### 可选的功能参照列表 (Available Functions)

##### 1.马达保护(Motor protection)

RP	SS	AS	CL
<input type="checkbox"/>	<input checked="" type="checkbox"/>	<input checked="" type="checkbox"/>	<input checked="" type="checkbox"/>

##### 2.信号输出(Signal output)

FG	RD	R $\bar{D}$	LD
<input checked="" type="checkbox"/>	<input checked="" type="checkbox"/>	<input checked="" type="checkbox"/>	<input checked="" type="checkbox"/>

##### 3.调速方式(Speed control mode)

PWM	TP	VC	RC	CS
<input checked="" type="checkbox"/>	<input checked="" type="checkbox"/>	<input checked="" type="checkbox"/>	<input checked="" type="checkbox"/>	<input checked="" type="checkbox"/>

Part Number	Voltage(V)	Fre.(HZ)	Power(W)	Speed(RPM)	Air flow(Q)	Pressure(P)	Noise(dBA)
产品编号	电压范围	频率范围	功率	转速	(CFM) 风量	m <sup>3</sup> /min (Mmaq)风压	(In H <sub>2</sub> O) 噪音
RT16050B11M	110(80~130)	45~65	16	2800	246.20	6.71	52.5
RT16050B22M	220(120~250)	45~65	16	2800	246.20	6.71	52.5
RT16050B38M	380(260~450)	45~65	16	2800	246.20	6.71	52.5

★ 如果您需要的转速或电压或功能不在这份清单上, 请与我们联系。  
If you want another rpm or voltage or functions which one is not in the list, please contact with our sales.

★ 提示1:功能的具体信息参照产品目录前页篇章。  
Notes1:The catalog have detail information in the front page for the functions.

★ 提示2:产品详细信息请参照承认书。  
Notes2:Product have a detail in the approval sheet.

★ 提示3:产品规格变更不另行通知。  
Notes3:Specifications are subject to change without notice.

★ 提示4:该款机型可制作相同转速的, 可在AC110V和AC220V双电压下使用。  
Note4:This model can be made in the same speed and used in AC110V, AC220V both.