

# EC (AC TO DC) FAN

## 80\*80\*38mm

### RT8038 Series



# RUNDA

www.szrunda.com



外框材质:环保防火PBT  
 Frame:Thermoplastic PBT UL94-V0  
 扇叶材质:环保防火PBT  
 Imperller:Thermoplastic PBT UL94-V0  
 轴承结构:双滚珠或长寿命含油结构  
 Bearing system:2Ball or Long life sleeve  
 单体风扇重量:153g  
 Unit Weight:153g

#### 可选的功能参照列表 (Available Functions)

##### 1.马达保护(Motor protection)

RP	SS	AS	CL
<input type="radio"/>	<input type="radio"/>	<input type="radio"/>	<input type="radio"/>

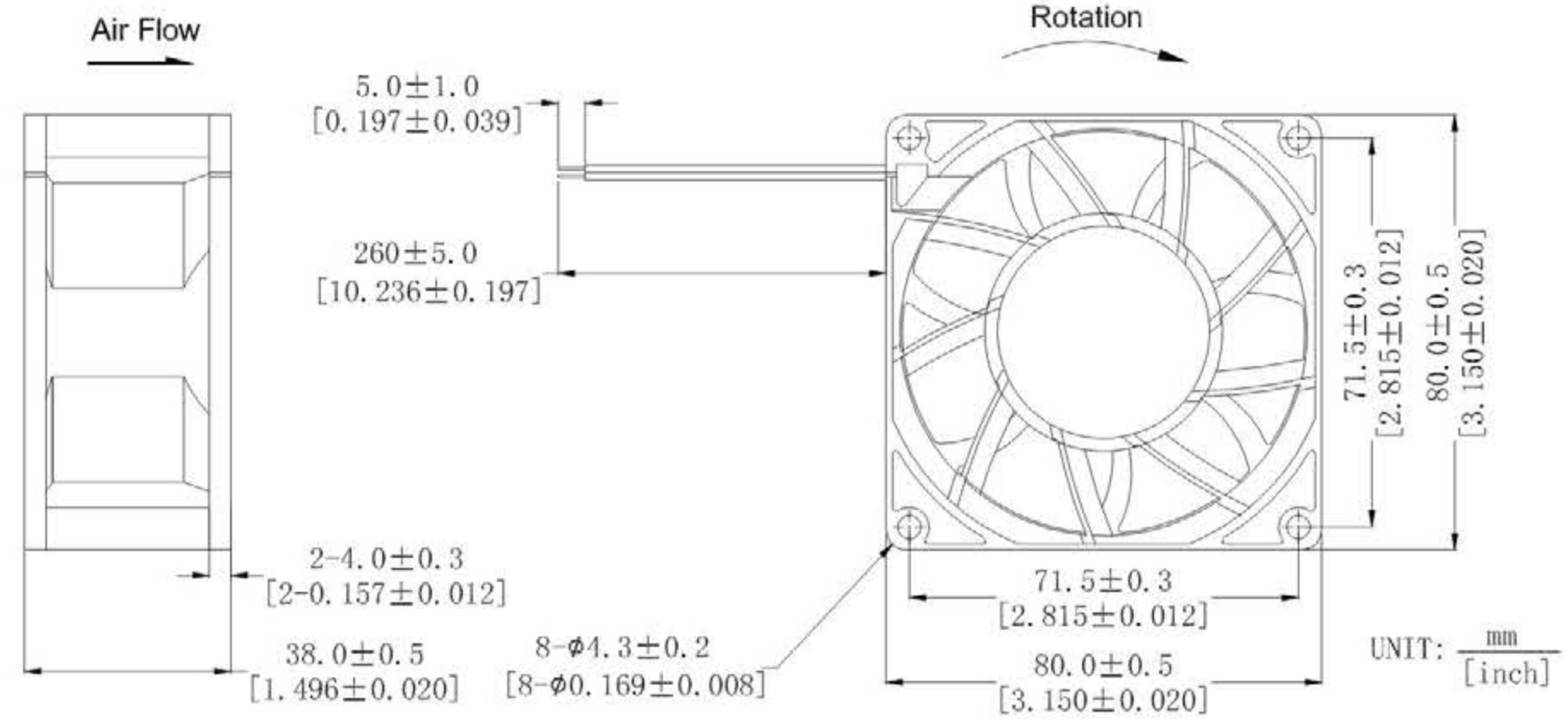
##### 2.信号输出(Signal output)

FG	RD	RD	LD
<input type="radio"/>	<input type="radio"/>	<input type="radio"/>	<input type="radio"/>

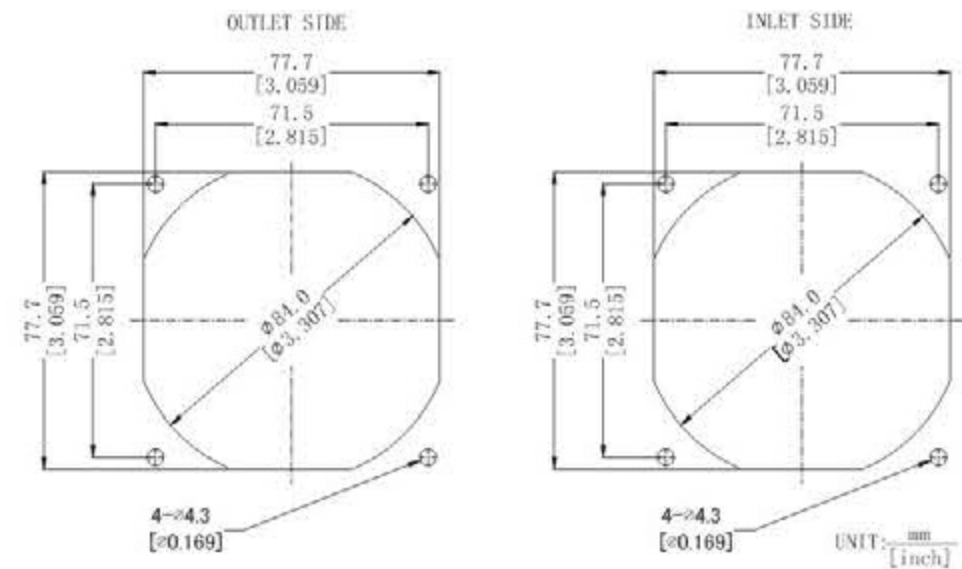
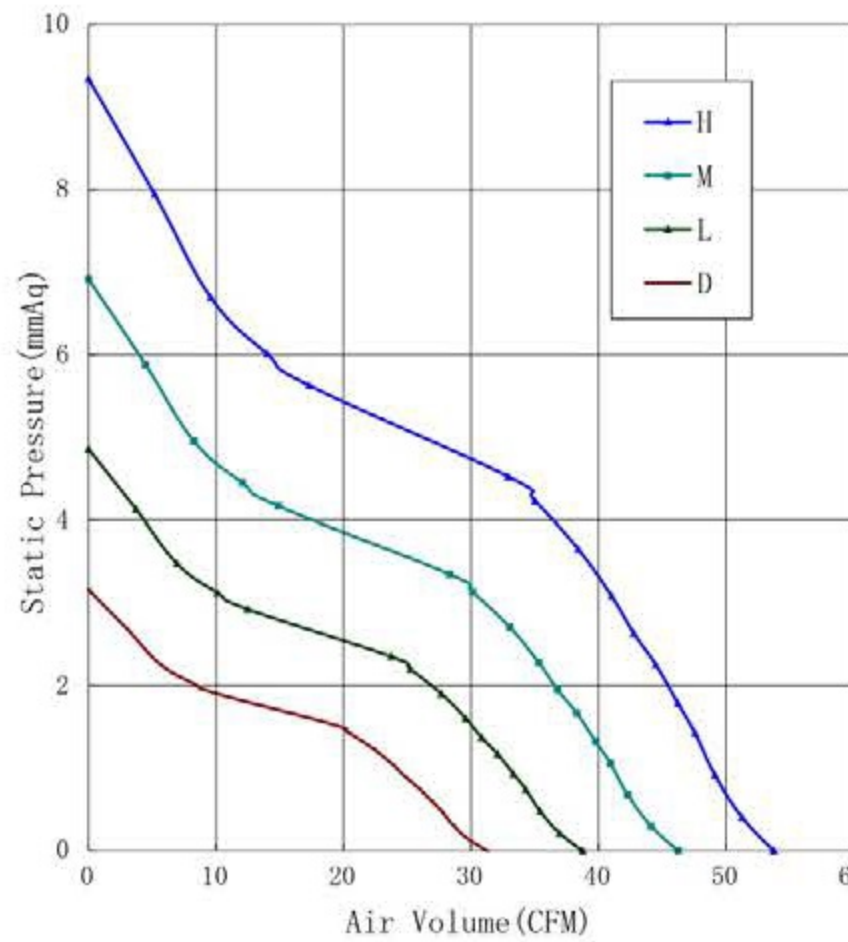
##### 3.调速方式(Speed control mode)

PWM	TP	VC	RC	CS
<input type="radio"/>	<input type="radio"/>	<input type="radio"/>	<input type="radio"/>	<input type="radio"/>

#### DIMENSIONS DRAWING



#### Fan Performance Curve



Part Number	Voltage(V)	Fre.(HZ)	Power(W)	Speed(RPM)	Air flow(Q)	Pressure(P)	Noise(dBA)
产品编号	电压范围	频率范围	功率	转速	(CFM) 风量	(Mmaq)风压 (In H <sub>2</sub> O)	噪音
RT8038x11D	110(80~120)	45~65	3.0	2400	31.24	0.88	22.5
RT8038x11L		45~65	3.6	3000	38.73	1.10	25.0
RT8038x11M		45~65	4.0	3600	46.23	1.31	36.5
RT8038x11H		45~65	4.5	4200	53.73	1.52	39.5
RT8038x22D	220(120~240)	45~65	3.0	2400	31.24	0.88	22.5
RT8038x22L		45~65	3.6	3000	38.73	1.10	25.0
RT8038x22M		45~65	4.0	3600	46.23	1.31	36.5
RT8038x22H		45~65	4.5	4200	53.73	1.52	39.5

★ 如果您需要的转速或电压或功能不在这份清单上, 请与我们联系。  
 If you want another rpm or voltage or functions which one is not in the list, please contact with our sales.

★ 提示1:功能的具体信息参照产品目录前页篇章。  
 Notes1:The catalog have detail information in the front page for the functions.

★ 提示2:产品详细信息请参照承认书。  
 Notes2:Product have a detail in the approval sheet.

★ 提示3:产品规格变更不另行通知。  
 Notes3:Specifications are subject to change without notice.

★ 提示4:该款机型可制作相同转速的, 可在AC110V和AC220V双电压下使用。  
 Note4:This model can be made in the same speed and used in AC110V, AC220V both.