

EC (AC TO DC) FAN

RUNDA
www.szrunda.com

92*92*25mm

RT9225 Series



外框材质:环保防火PBT
Frame:Thermoplastic PBT UL94-V0
扇叶材质:环保防火PBT
Imperller:Thermoplastic PBT UL94-V0
轴承结构:双滚珠或长寿命含油结构
Bearing system:2Ball or Long life sleeve
单体风扇重量:78g
Unit Weight:78g

可选的功能参照列表 (Available Functions)

1.马达保护(Motor protection)

RP	SS	AS	CL
<input type="checkbox"/>	<input checked="" type="checkbox"/>	<input checked="" type="checkbox"/>	<input checked="" type="checkbox"/>

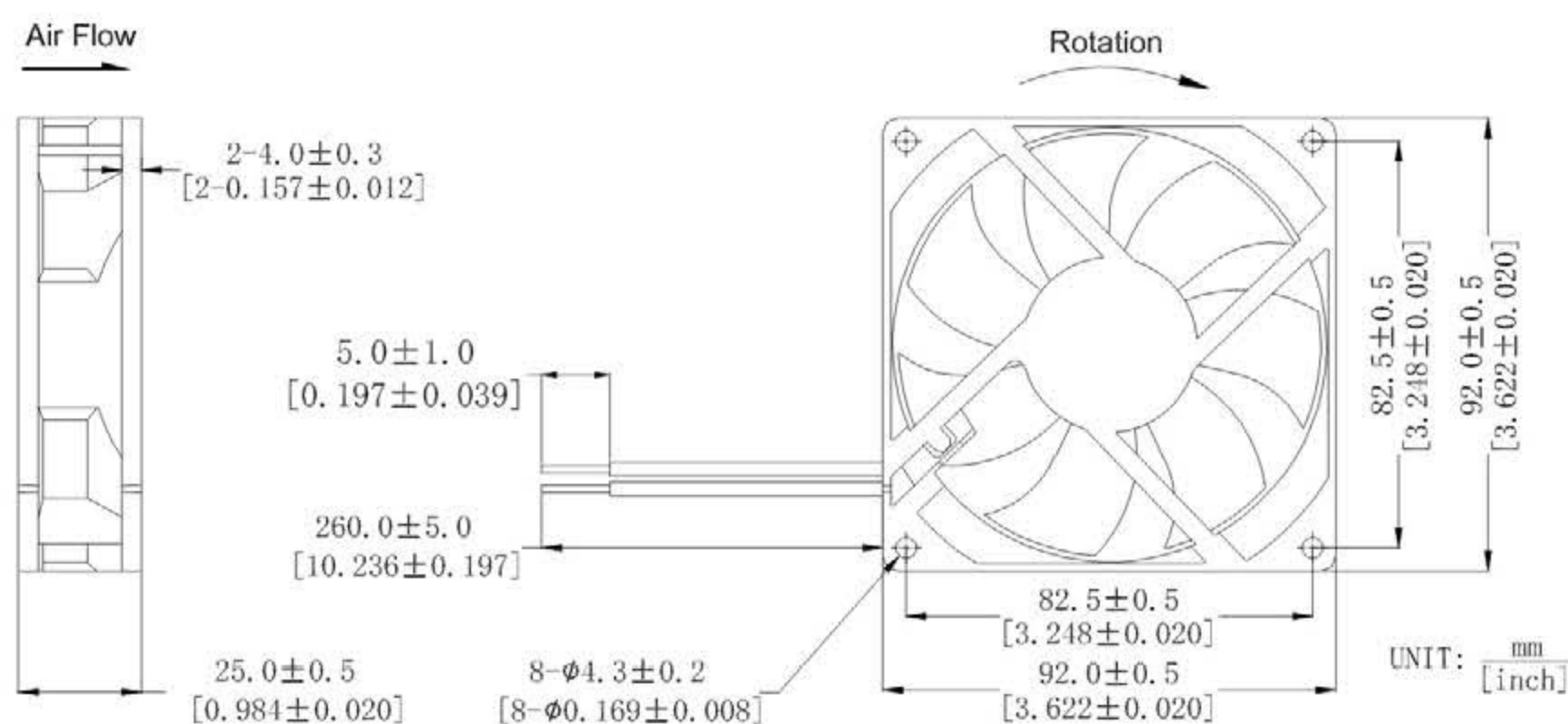
2.信号输出(Signal output)

FG	RD	RD	LD
<input checked="" type="checkbox"/>	<input checked="" type="checkbox"/>	<input checked="" type="checkbox"/>	<input checked="" type="checkbox"/>

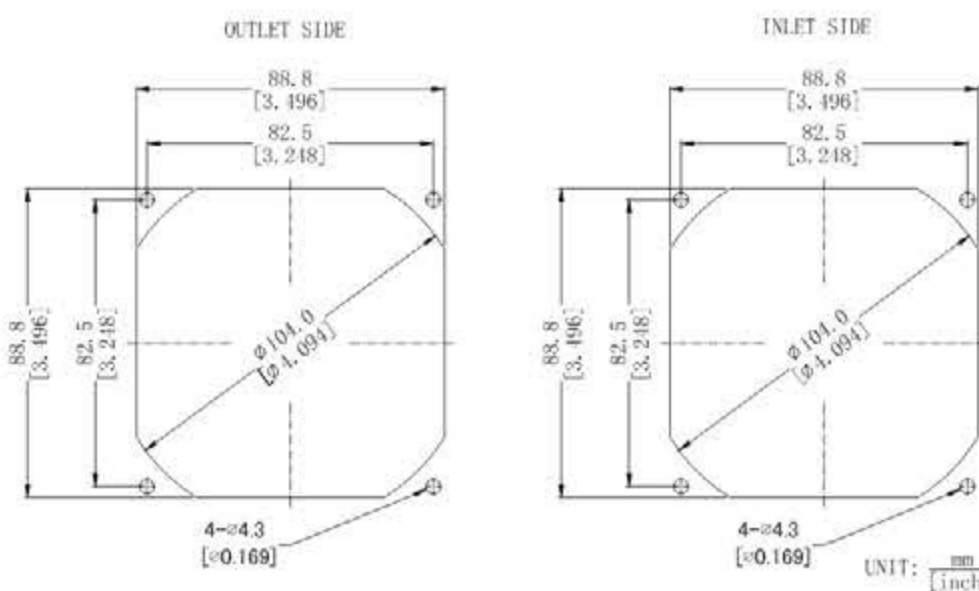
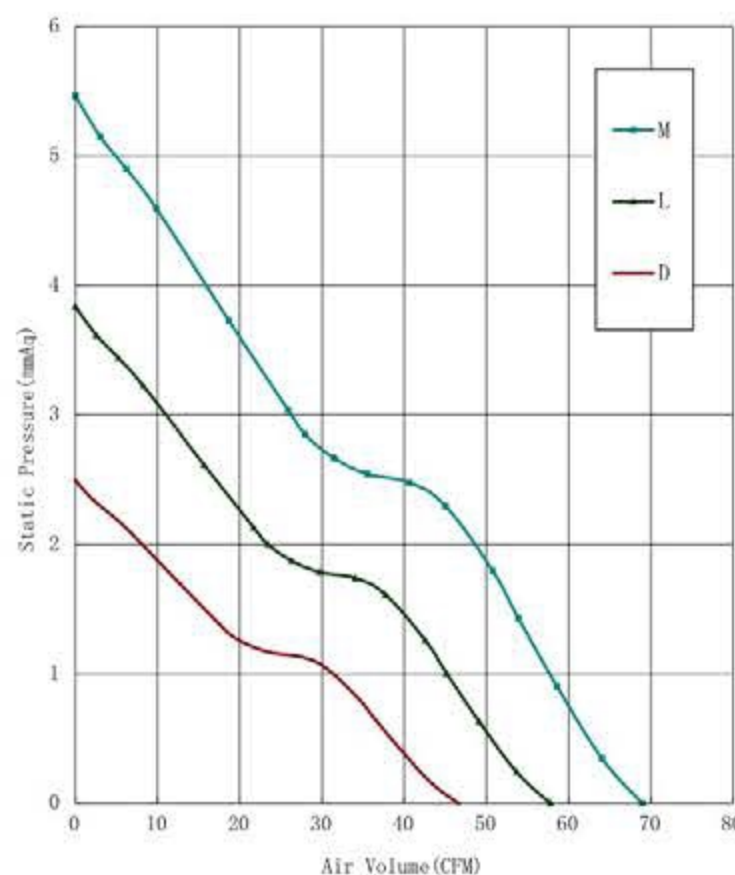
3.调速方式(Speed control mode)

PWM	TP	VC	RC	CS
<input checked="" type="checkbox"/>	<input checked="" type="checkbox"/>	<input checked="" type="checkbox"/>	<input checked="" type="checkbox"/>	<input checked="" type="checkbox"/>

DIMENSIONS DRAWING



Fan Performance Curve



Part Number	Voltage(V)	Fre.(HZ)	Power(W)	Speed(RPM)	Air flow(Q)	Pressure(P)	Noise(dBA)
产品编号	电压范围	频率范围	功率	转速	(CFM) 风量	m ³ /min (Mmaq)风压 (In H ₂ O)	噪音
RT9225x11D	110(80~120)	45~65	3.2	2400	46.60	1.32	32.7
RT9225x11L		45~65	4.0	3000	57.79	1.64	37.4
RT9225x11M		45~65	4.4	3600	68.97	1.95	42.8
RT9225x22D	220(120~240)	45~65	3.2	2400	46.60	1.32	32.7
RT9225x22L		45~65	4.0	3000	57.79	1.64	37.4
RT9225x22M		45~65	4.4	3600	68.97	1.95	42.8

★ 如果您需要的转速或电压或功能不在这份清单上, 请与我们联系。
If you want another rpm or voltage or functions which one is not in the list, please contact with our sales.

★ 提示1:功能的具体信息参照产品目录前页篇章。
Notes1:The catalog have detail information in the front page for the functions.

★ 提示2:产品详细信息请参照承认书。
Notes2:Product have a detail in the approval sheet.

★ 提示3:产品规格变更不另行通知。
Notes3:Specifications are subject to change without notice.

★ 提示4:该款机型可制作相同转速的, 可在AC110V和AC220V双电压下使用。
Note4:This model can be made in the same speed and used in AC110V, AC220V both.