



El.italia EC-EC06 serie

General Purpose DC EMI Filter

Conformance



Technical specifications

Operating voltage	24 VDC
Current rating	1A to 6 Amp
Voltage drop	1 Volt max.
High potential test voltage	+,- to E 1500VAC
Insulation resistance	≥ 300 MΩ @ 500VDC (+,- to E)
Operating temperature	40°C /-25°C +85°C

*Image shown is for illustrative purpose only

Attenuation Type

Double Stage	High
--------------	------

Applications

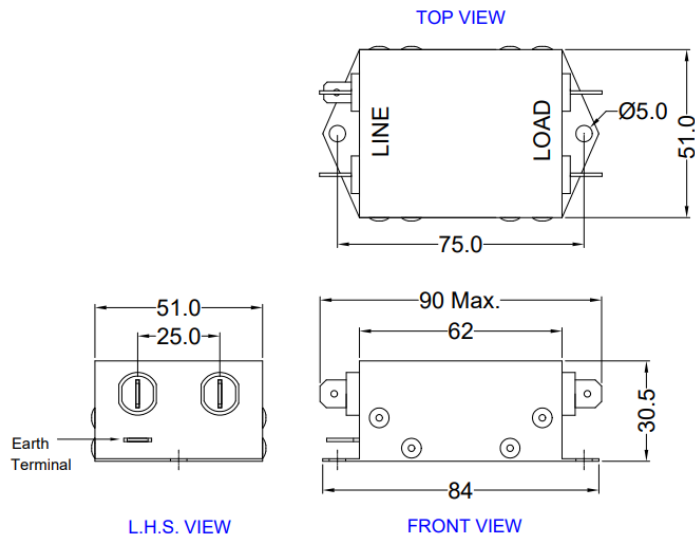
- | Modems
- | Network Routing Equipment
- | Servers
- | Ethernet Hubs
- | Base Stations
- | Power Supplies
- | Photovoltaic Inverters
- | DC Motor Drives
- | DC Chargers
- | Frequency Inverters
- | Energy system

Features and benefits

- | Filters available in double stage
- | All filters provide high attenuation performance.
- | Two stage filters designed for noisy application requiring excellent filter performance.
- | All filters compliance to EN60939-3:2015 & EN60939-2:2005 standards.
- | High reliable
- | Easy and fast chassis mountable filter with compact size.
- | CRCA metal can with nickel plating provides good aesthetic and corrosion protection.
- | FVarious terminal options are available

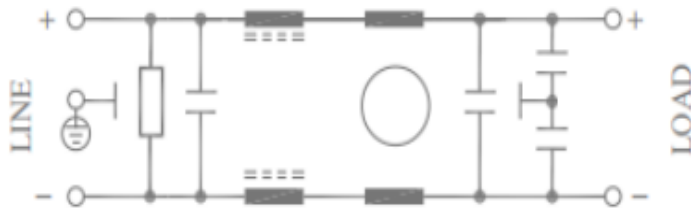


Mechanical details



All dimensions in mm
General tolerance=±2mm

Electrical schematic for Filter

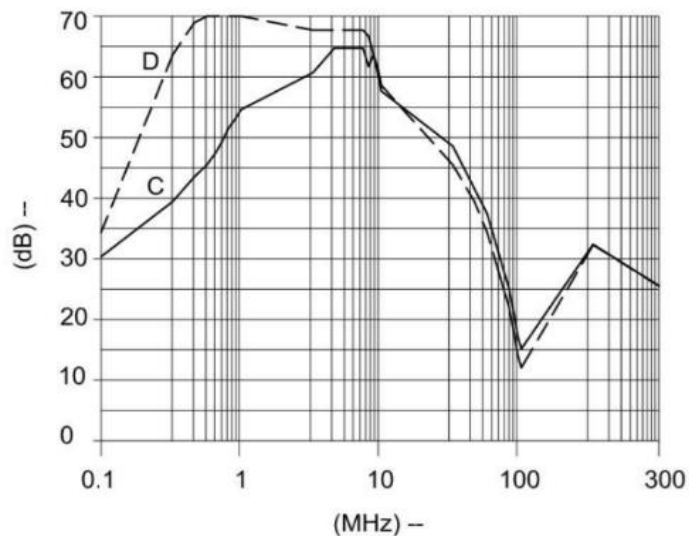




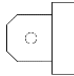
El.italia EC-EC06 serie

Filter attenuation Graph

C = Common mode (asymmetrical) ———
 D = Differential mode (symmetrical) - - - - -



Filter Selection Table

Sr. No.	Elcom part codes (ordering code)	Rated Current rating (A) @40°C	Terminals (X)	Approx. Weight (gm)	Attenuation
			Fast-on 		
1	EF-4B001X24G-C06	1	B	200	Standard
2	EF-4B003X24G-C06	3	B	200	Standard
3	EF-4B006X24G-C06	6	B	200	Standard

Connection Type

Current Rating (A)	Wire terminal	Fast -on terminal	Earthing
1	0.5 sq.mm.	6.3 X 0.8mm	Wire lead/Fast-on

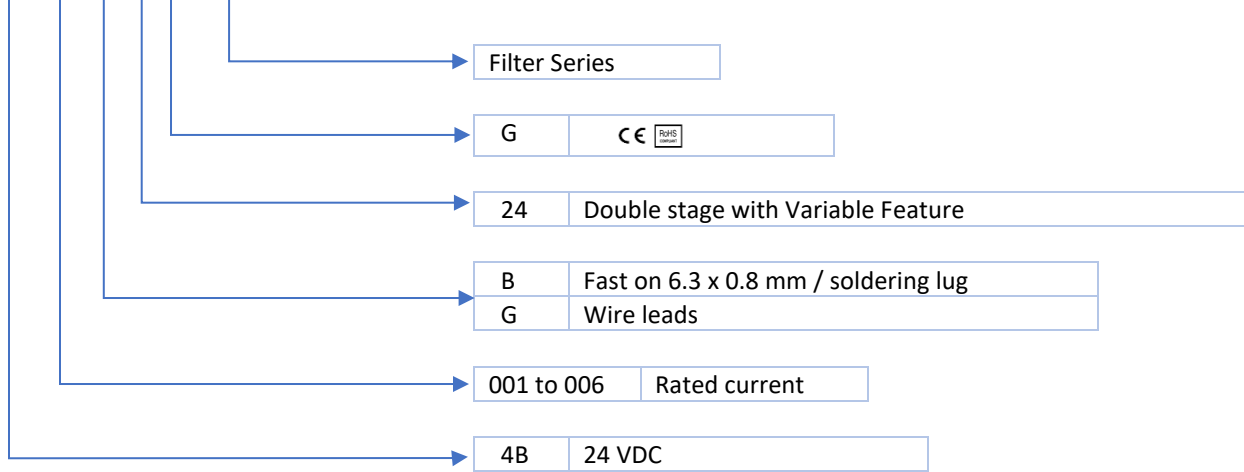


Datasheet | EC06 DC filter

El.italia EC-EC06 serie

Syntax

EF - 4B CCC X YY G - C06



- To compile complete part number, replace the 'X' with required I/O connection terminal. (e.g. EF-4B001E24G-C06).
- Customize products provided on request.