

Datasheet | EC76

EP-355WN Series



General Purpose AC EMI Filter

El.italia EC-EC76 [EP-355WN] serie



Technical specifications



Image shown is for illustrative purpose only

Operating voltage	250VAC(P-N)/440VAC(P-P)
Current rating	100A-150A
Frequency	50/60Hz
Voltage drop	1 Volt max.
High potential test voltage	P -> E 1500VAC P -> N 2121VDC (applicable for excluding surge suppressor filter)
Insulation resistance	≥ 300 MΩ @ 500VDC (PN→E)
Operating temperature	40°c /-25°c +85°c

Features and benefits

- | Filters available in single stage
- | All filters provide high attenuation performance.
- | All filters compliance to EN60939-3:2015 & EN60939-2:2005 standards.
- | High reliable
- | Chassis mountable filter in fabricated metal can.
- | CRCA metal can with nickel plating provides good aesthetic and corrosion protection.
- | General purpose filters with low leakage current for safety critical application.
- | With surge suppressor filters also available.
- | Various terminal options are available.

Attenuation Type

Single Stage

Standard

Application

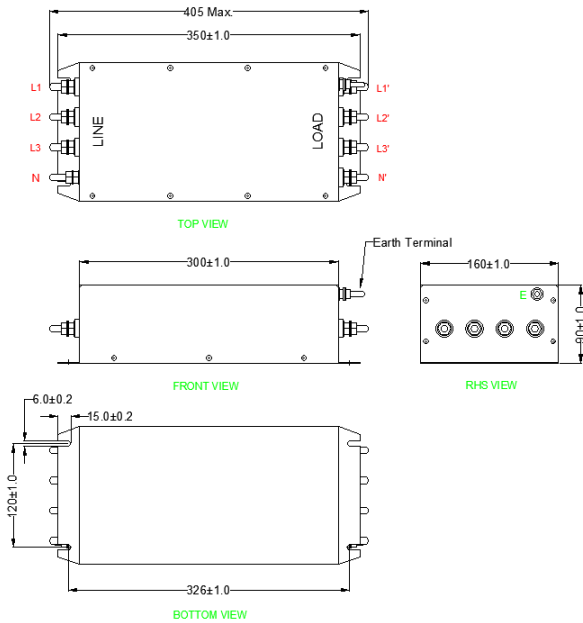
- | Defence application
- | Industrial application
- | UPS
- | Inverters and converters
- | Electrical equipment application
- | Laser cutting tools
- | Test and measurement instruments



El.italia EC-EC76 [EP-355WN] serie

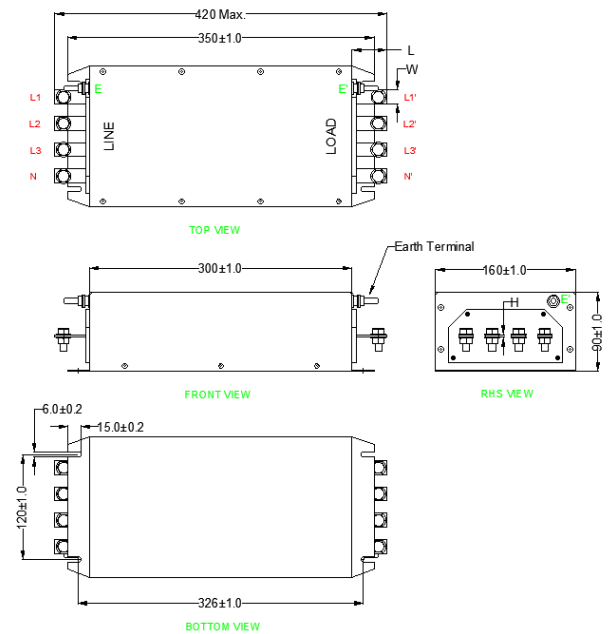
Mechanical details

| For screw terminal



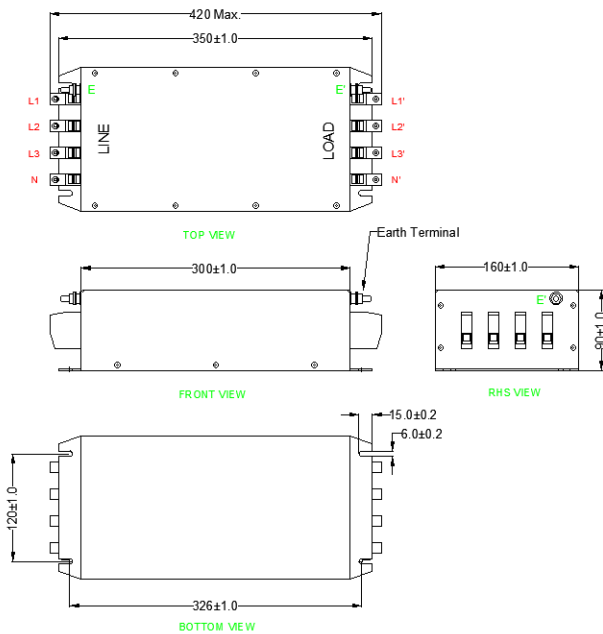
All dimensions in mm

| For bus-bar terminal



All dimensions in mm

| For touch safe terminal



All dimensions in mm

*Note-General tolerance = ±2%

Datasheet | EC76

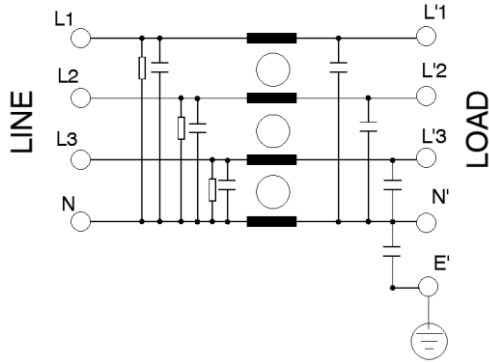
EP-355WN Series



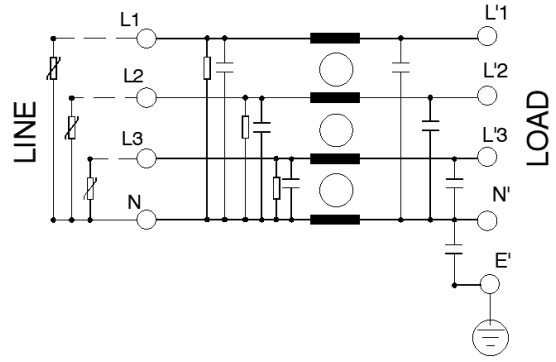
Electrical schematic for Single Stage Filter

El.italia EC-EC76 [EP-355WN] serie

General purpose -



General purpose with external surge suppressor-



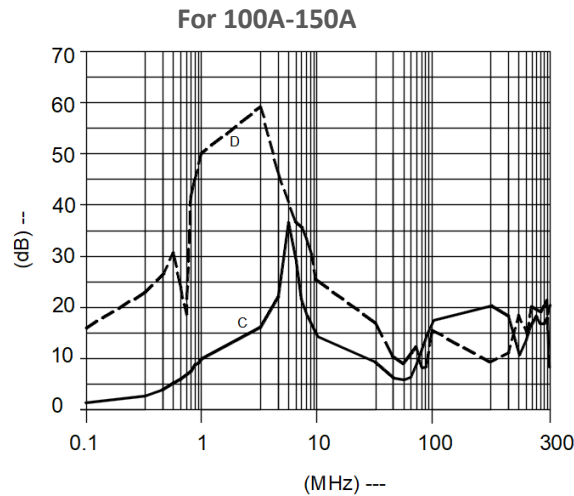
*Note - For Touch safe/Wire/Busbar terminal, earthing terminal provided on both sides.

Filter attenuation Graph

C = Common mode (asymmetrical) —————

D = Differential mode (symmetrical) - - - - -




For general application (Single Stage)





El.italia EC-EC76 [EP-355WN] serie

Filter Selection Table

Sr. No.	Elcom part codes (ordering code)	Rated Current rating (A) @40°C	Leakage current (mA) @250VAC	Terminals (X)			Max. Peak current (8/20 μ sec 1 time) (KA)	Energy surge rating (10/1000 μ sec) (Joules)	Weight (Kg)	Attenuation
				Screw 	Bus bar 	Touch -safe 				
1	EF-3P100X01E-C76	100	< 1.0	D	E	F	----	----	5	Standard
2	EF-3P100X12E-C76	100	< 1.0	D	E	F	10	350	5	Standard
3	EF-3P120X01E-C76	120	< 1.0	D	E	F	----	----	5.5	Standard
4	EF-3P120X12E-C76	120	< 1.0	D	E	F	10	350	5.5	Standard
5	EF-3P150X01E-C76	150	< 1.0	D	E	F	----	----	6	Standard
6	EF-3P150X12E-C76	150	< 1.0	D	E	F	10	350	6	Standard

- To compile complete part number, replace the 'X' with required I/O connection terminal. (e.g. EF-3P100D01E-C76)
- Recommended tightening torque for touch safe –for 50 sqmm.-38-40 lbf.in. and for screw terminal tightening torque-for M10 is 35-40Kgcm, for M12 is 35-40Kgcm
- Maximum leakage under usual AC operating conditions (acc. IEC 60939-3). Note: if the neutral line is interrupted, worst case leakage could reach twice this level.
- Customize products provided on request.

Connection Type

Current Rating (A)	Screw terminal	Bus bar (LxWxH) & connection screw terminal	Touch safe	Earthing
100	M10	40x16x5 & M8	50 Sqmm	M6
120	M10	40x16x5 & M8	50 Sq.mm	M6
150	M12	40x16x5 & M8	50 Sq.mm	M6

Datasheet | EC76

EP-355WN Series



El.italia EC-EC76 [EP-355WN] serie

Syntax

EF - 3P CCC X YY E - C76

