

# Datasheet | EC78

## EP-355WN Series



### General Purpose AC EMI Filter

### El.italia EC-EC78 [EP-355WN] serie



### Technical specifications



Image shown is for illustrative purpose only

Operating voltage	250VAC(P-N)/440VAC(P-P)
Current rating	180-250A
Frequency	50/60Hz
Voltage drop	1 Volt max.
High potential test voltage	P -> E 1500VAC P -> N 2121VDC (applicable for excluding surge suppressor filter)
Insulation resistance	≥ 300 MΩ @ 500VDC (PN→E)
Operating temperature	40°c /-25°c +85°c

### Features and benefits

- | Filters available in single stage
- | All filters provide high attenuation performance.
- | All filters compliance to EN60939-3:2015 & EN60939-2:2005 standards.
- | High reliable
- | Chassis mountable filter in fabricated metal can.
- | CRCA metal can with nickel plating provides good aesthetic and corrosion protection.
- | General purpose filters with low leakage current for safety critical application.
- | With surge suppressor filters also available.
- | Various terminal options are available.

### Attenuation Type

Single Stage

**Standard**

### Application

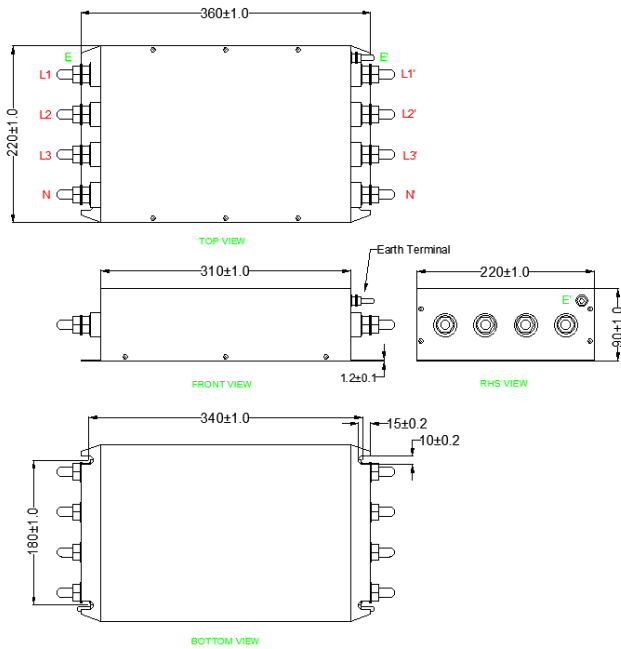
- | Defence application
- | Industrial application
- | UPS
- | Inverters and converters
- | Electrical equipment application
- | Laser cutting tools
- | Test and measurement instruments



## Mechanical details

## El.italia EC-EC78 [EP-355WN] serie

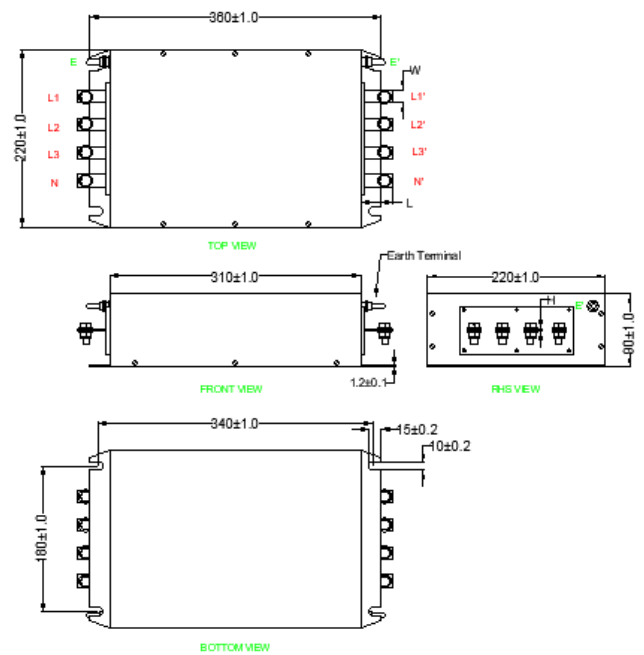
### I For screw terminal



All dimensions in mm

\*Note-General tolerance = ±2%

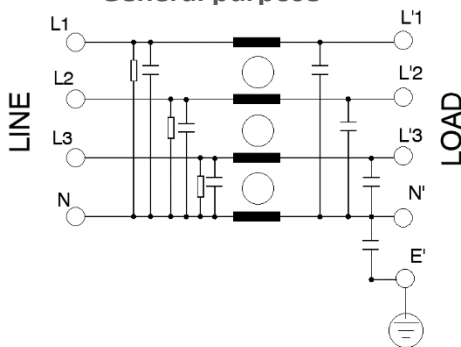
### I For bus-bar terminal



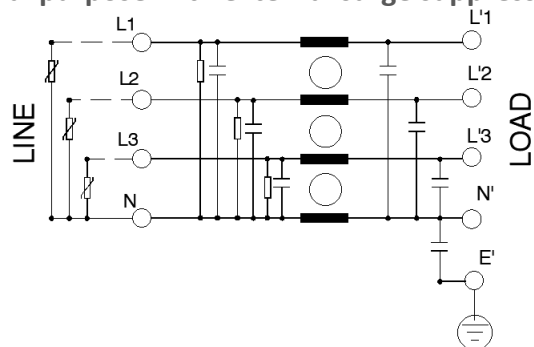
All dimensions in mm

## Electrical schematic for single stage filter

### General purpose -



### General purpose with external surge suppressor-



\*Note - For Busbar terminal, earthing terminal provided on both sides.

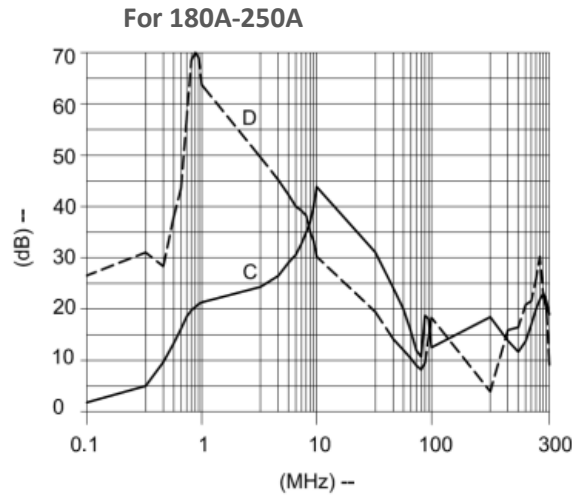


### Filter attenuation Graph

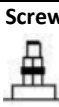

C = Common mode (asymmetrical) —————

D = Differential mode (symmetrical) - - - - -

For general application (Single Stage)



### Filter Selection Table

Sr. No.	Elcom part codes (ordering code)	Rated Current rating (A) @40°C	Leakage current (mA) @250VAC	Terminals (X)		Max. Peak current (8/20 μ sec 1 time) (KA)	Energy surge rating (10/1000 μ sec) (Joules)	Weight (Kg)	Attenuation
				 Screw	 Bus bar				
1	EF-3P180X01E-C78	180	< 1.0	D	E	----	----	8	Standard
2	EF-3P180X12E-C78	180	< 1.0	D	E	10	350	8	Standard
3	EF-3P200X01E-C78	200	< 1.0	D	E	----	----	9	Standard
4	EF-3P200X12E-C78	200	< 1.0	D	E	10	350	9	Standard
5	EF-3P250X01E-C78	250	< 1.0	D	E	----	----	10	Standard
6	EF-3P250X12E-C78	250	< 1.0	D	E	10	350	10	Standard

- To compile complete part number, replace the 'X' with required I/O connection terminal. (e.g. EF-3P180D01E-C78)
- Maximum leakage under usual AC operating conditions (acc. IEC 60939-3). Note: if the neutral line is interrupted, worst case leakage could reach twice this level.
- With surge suppressor filter available with externally connected surge suppressor unit.
- Customize products provided on request.



### El.italia EC-EC78 [EP-355WN] serie

#### Connection Type

Current Rating (A)	Screw terminal details		Bus bar terminal details		Earthing screw terminal details
	Screw	Recommended tightening torque	Bus bar (LxWxH)	connection screw terminal	
180	M12	35-40Kgcm	40x25x6	M10	M6
200	M12	35-40Kgcm	40x25x6	M10	M6
250	M12	35-40Kgcm	40x25x6	M10	M6

#### Syntax

**EF - 3P CCC X YY E - C78**

