

Datasheet | EC84 EP-355WN Series



General Purpose AC EMI Filter

El.italia EC-EC84 [EP-355WN] serie



Image shown is for illustrative purpose only

Technical specifications

Operating voltage	250VAC(P-N)/440VAC(P-P)
Current rating	700-1000A
Frequency	50/60Hz
Voltage drop	1 Volt max.
High potential test voltage	P -> E 1500VAC P -> N 2121VDC (applicable for excluding surge suppressor filter)
Insulation resistance	≥ 300 MΩ @ 500VDC (PN→E)
Operating temperature	40°c /-25°c +85°c

Features and benefits

- | Filters available in single stage
- | All filters provide high attenuation performance.
- | All filters compliance to EN60939-3:2015 & EN60939-2:2005 standards.
- | High reliable
- | Chassis mountable filter in fabricated metal can.
- | CRCA metal can with nickel plating provides good aesthetic and corrosion protection.
- | General purpose filters with low leakage current for safety critical application.
- | With surge suppressor filters also available.
- | Various terminal options are available.

Attenuation Type

Single Stage

Standard

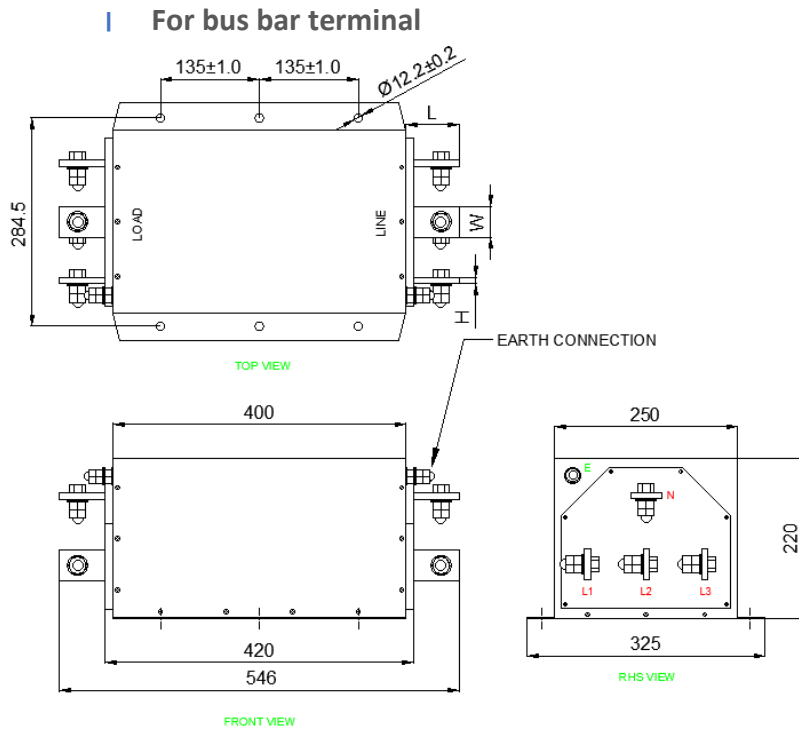
Application

- | Defence application
- | Industrial application
- | UPS
- | Inverters and converters
- | Electrical equipment application
- | Laser cutting tools
- | Test and measurement instruments



Mechanical details

El.italia EC-EC84 [EP-355WN] serie

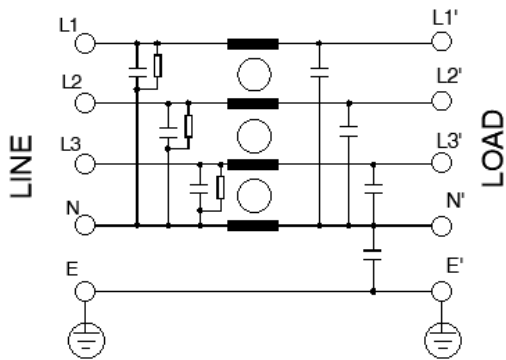


All dimensions in mm

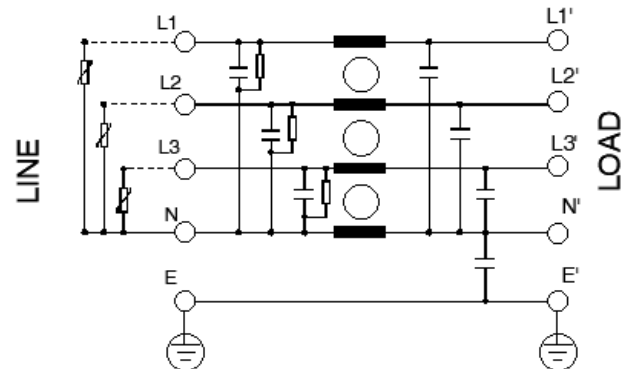
*Note-General tolerance =±2%

Electrical schematic for Single Stage Filter

General purpose -



General purpose with external surge suppressor-



Datasheet | EC84 EP-355WN Series

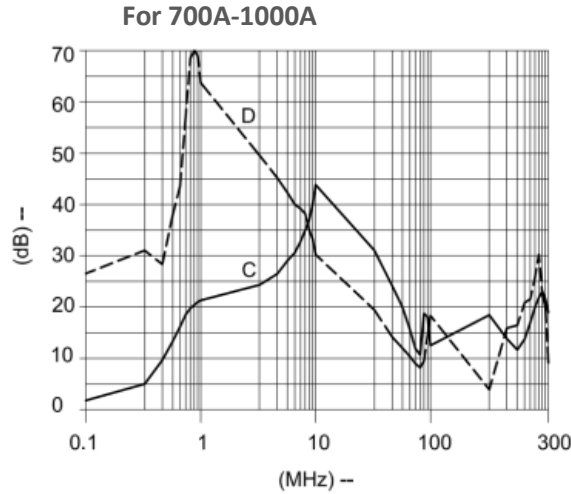


Filter attenuation Graph

C = Common mode (asymmetrical) —————

D = Differential mode (symmetrical) - - - - -

For general application (Single Stage)



Filter Selection Table

Sr. No.	Elcom part codes (ordering code)	Rated Current rating (A) @40°C	Leakage current (mA) @250VAC	Terminals (X)	Max. Peak current (8/20 μ sec 1 time) (KA)	Energy surge rating (10/1000 μ sec) (Joules)	Approx. Weight (Kg)	Attenuation
				Bus bar				
1	EF-3P700E01E-C84	700	< 1.0	E	----	----	30	Standard
2	EF-3P700E12E-C84	700	< 1.0	E	10	350	30	Standard
3	EF-3P800E01E-C84	800	< 1.0	E	----	----	35	Standard
4	EF-3P800E12E-C84	800	< 1.0	E	10	350	35	Standard
5	EF-3P1K0E01E-C84	1000	< 1.0	E	----	----	40	Standard
6	EF-3P1K0E12E-C84	1000	< 1.0	E	10	350	40	Standard

- Maximum leakage under usual AC operating conditions (acc. IEC 60939-3). Note: if the neutral line is interrupted, worst case leakage could reach twice this level.
- With surge suppressor filter available with externally connected surge suppressor unit.
- Customize products provided on request.

Datasheet | EC84

EP-355WN Series



El.italia EC-EC84 [EP-355WN] serie

Connection Type

Current Rating (A)	Bus bar (LxWxH) & connection screw terminal	Earthing
700	73x40x10 & M10	M10
800	73x40x10 & M10	M10
1000	73x40x12 & M10	M10

Syntax

EF - 3P CCC X YY E - C84

