



General Purpose AC EMI Filter

El.italia EC-EE04 serie



Technical specifications

Operating voltage	120/250 VAC
Current rating	1A-10A
Frequency	50/60Hz
Voltage drop	1 Volt max.
High potential test voltage	P -> E 1500VAC P -> N 1414VDC (applicable for excluding surge suppressor filter)
Insulation resistance	≥ 300 MΩ @ 500VDC (PN→E)
Operating temperature	40°C / -25°C +85°C

*Image shown is for illustrative purpose only

Features and benefits

- | All filters provide high attenuation performance.
- | All filters compliance to EN60939-3:2015 & EN60939- 2:2005 standards.
- | Compact din rail mounting design.
- | High reliable.
- | Plastic housing with good aesthetic.
- | Single stage.
- | Input and output connection through touch safe terminal
- | Filters available in medical version without capacitor to earth.
- | With surge suppressor filters also available.
- | Cost effective solution.

Attenuation Type

Single Stage **Standard**

Applications

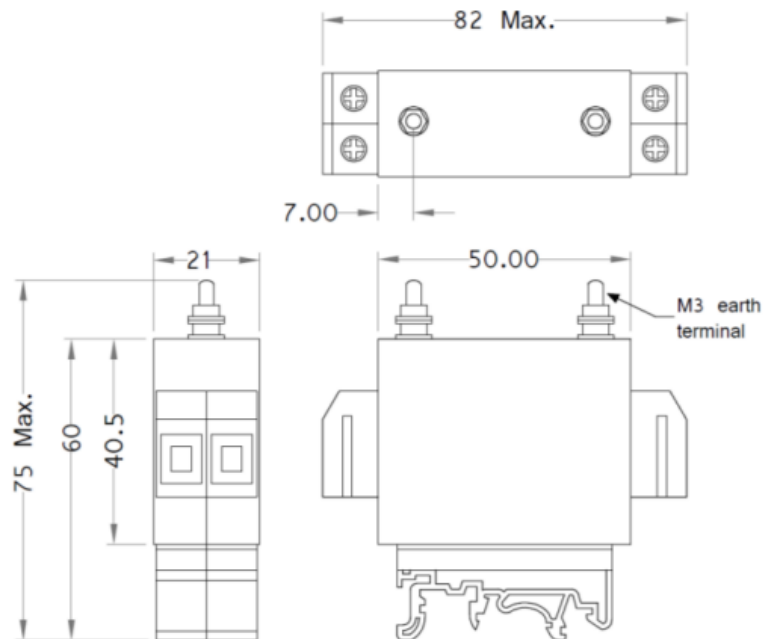
- | Consumer product
- | Defence application
- | Medical equipment
- | Industrial application
- | Automotive application
- | Weighting Machines
- | Printing Machinery
- | Electrical equipment application
- | Office automation equipment



Mechanical details

El.italia EC-EE04 serie

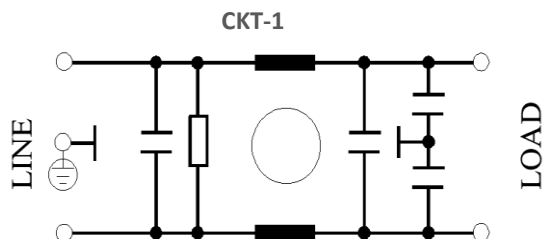
I For touch safe terminal



All dimensions in mm

Electrical schematic for Single Stage Filter

General purpose –





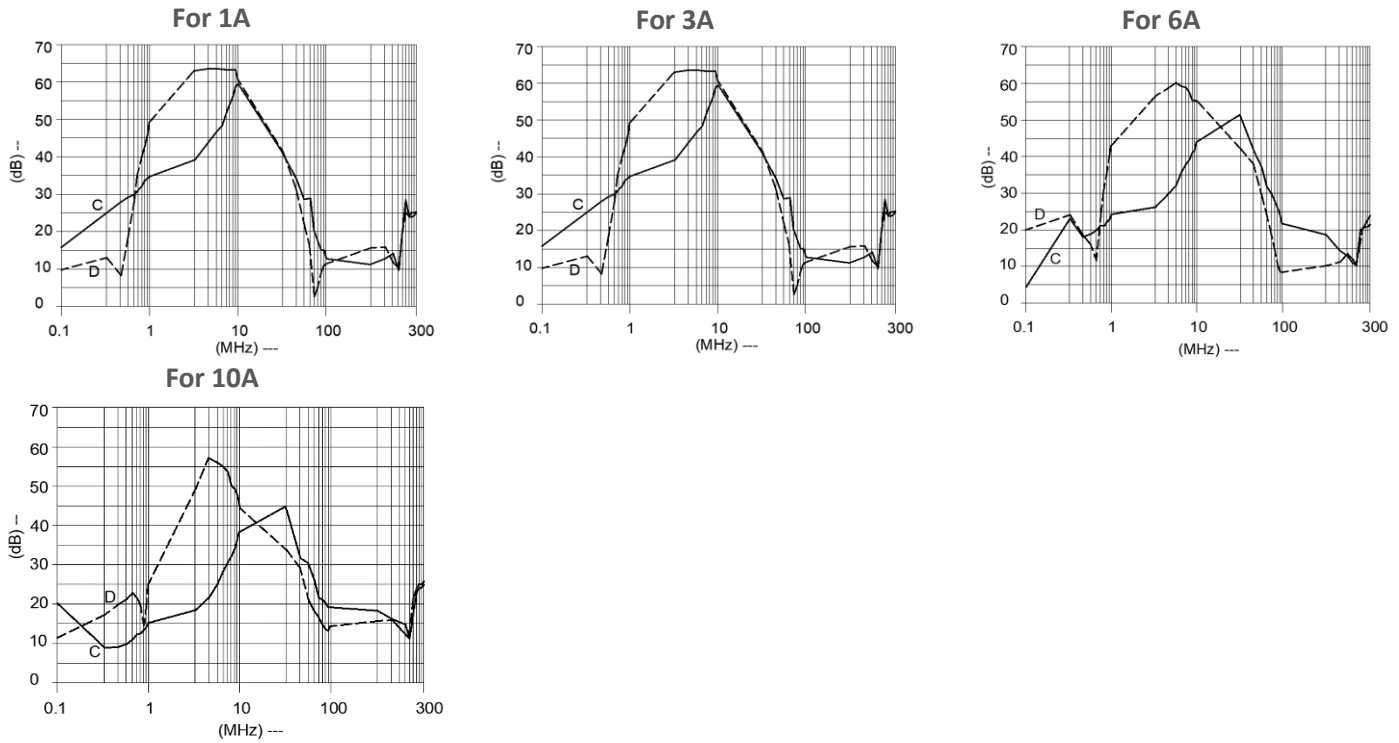
El.italia EC-EE04 serie

Filter attenuation Graph


C = Common mode (asymmetrical) —————

D = Differential mode (symmetrical) - - - - -

For general application (Single Stage)



Filter Selection Table

Sr. No.	Elcom part codes (ordering code)	Rated Current rating (A) @40°C	Leakage current (mA) @250VAC	Terminals (X)	Approx. Weight (gm)	Attenuation
				Touch safe 		
1	EF-1B001F01G-E04	1	< 0.5	F	100	Standard
2	EF-1B003F01G-E04	3	< 0.5	F	100	Standard
3	EF-1B006F01G-E04	6	< 0.5	F	100	Standard
4	EF-1B010F01G-E04	10	< 0.5	F	100	Standard



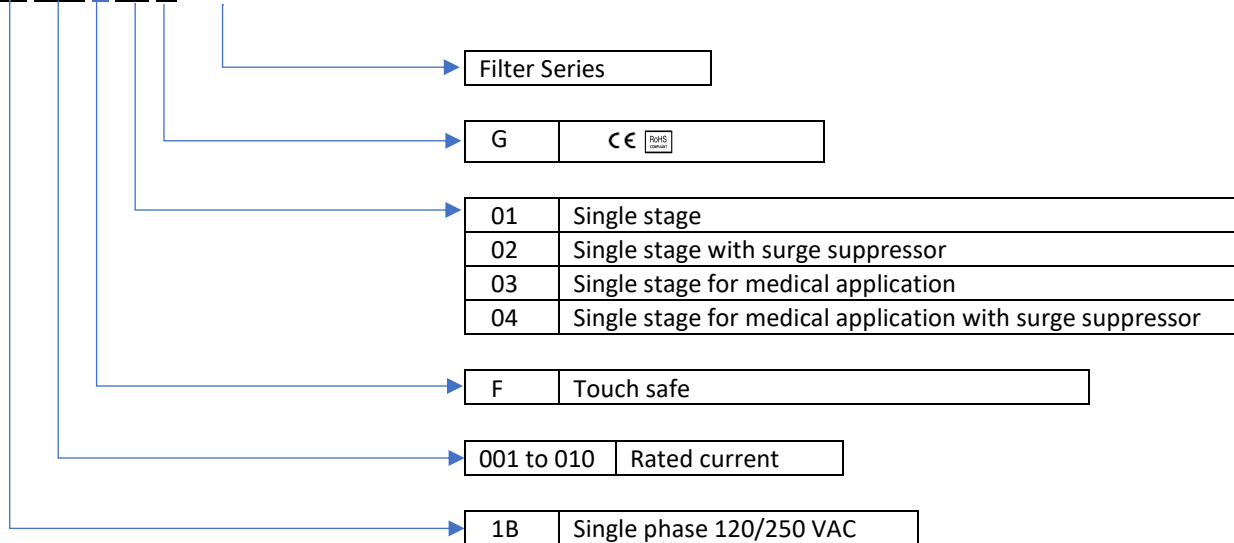
Connection Type

El.italia EC-EE04 serie

Current Rating (A)	Touch safe terminal	Earthing
1A-10A	6 sqmm	screw

Syntax

EF - 1B CCC X YY G - E04



- To compile complete part number, replace the 'X' with required I/O connection terminal. (e.g. EF-1B001F01G-E04).
- Maximum leakage under usual AC operating conditions (acc. IEC 60939-3). Note: if the neutral line is interrupted, worst case leakage could reach twice this level.
- Recommended tightening torque for touch safe – For 6 sqmm. – 10.6-13 lbf.in.
- Customize products provided on request.