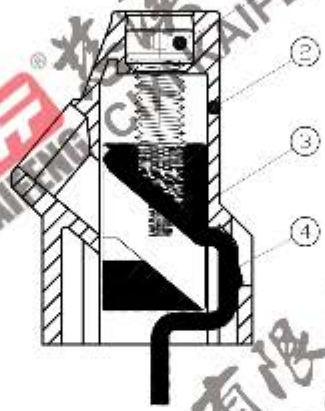
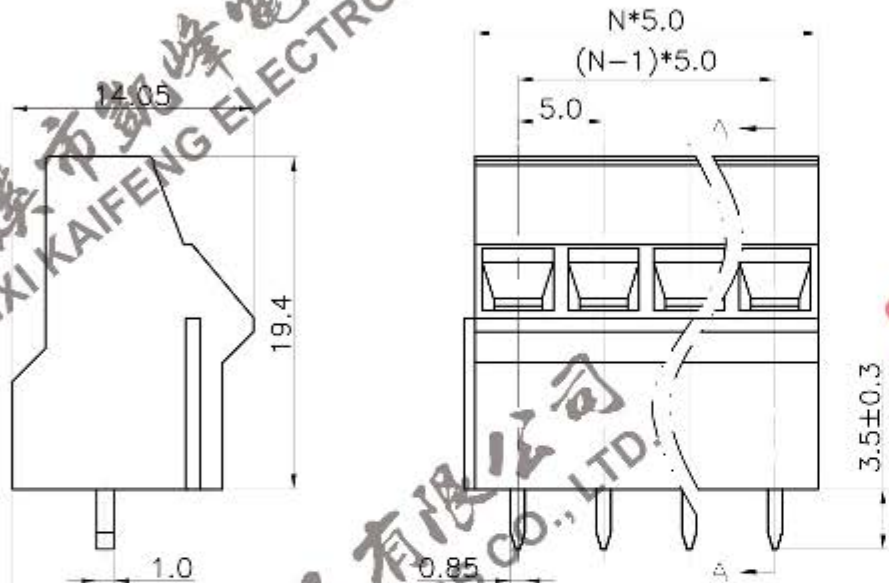


REV.	DESCRIPTION	DATE	DRAFTER	APPROVER
V1.0	DWG.RFI	2023.7.22	ZHANG	JIN



- Material
 - ØScrew : M3.0 steel, Zinc plated, slot type
 - ØHousing : PA66, UL94V-0
 - ØClamp : Copper alloy, Ni plated
 - ØPin header : Copper alloy, Tin plated

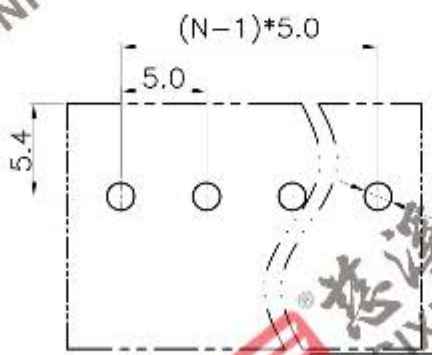
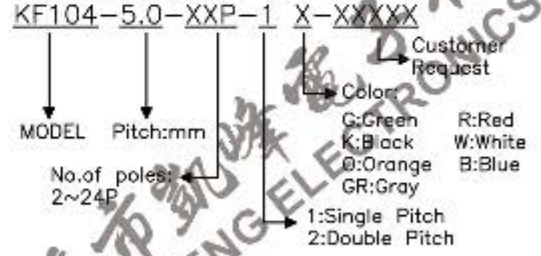
- Electrical

UL	IEC
Rated voltage : 300V	250V
Rated current : 10A	24A
Contact resistance : 20mΩ(Max)	
Insulation resistance: 500MΩ/DC500V	
Withstanding Voltage : AC2000V/1min	
Wire range: 24-14AWG 0.2-2.5mm ²	

- Mechanical
 - Operating temperature: -40℃~+105℃
 - Soldering temperature: 250℃±5/5sec
 - Torque: 0.5N.m (4.43Lb.in)
 - Strip length: 6-7mm

• Conform to REACH and RoHS

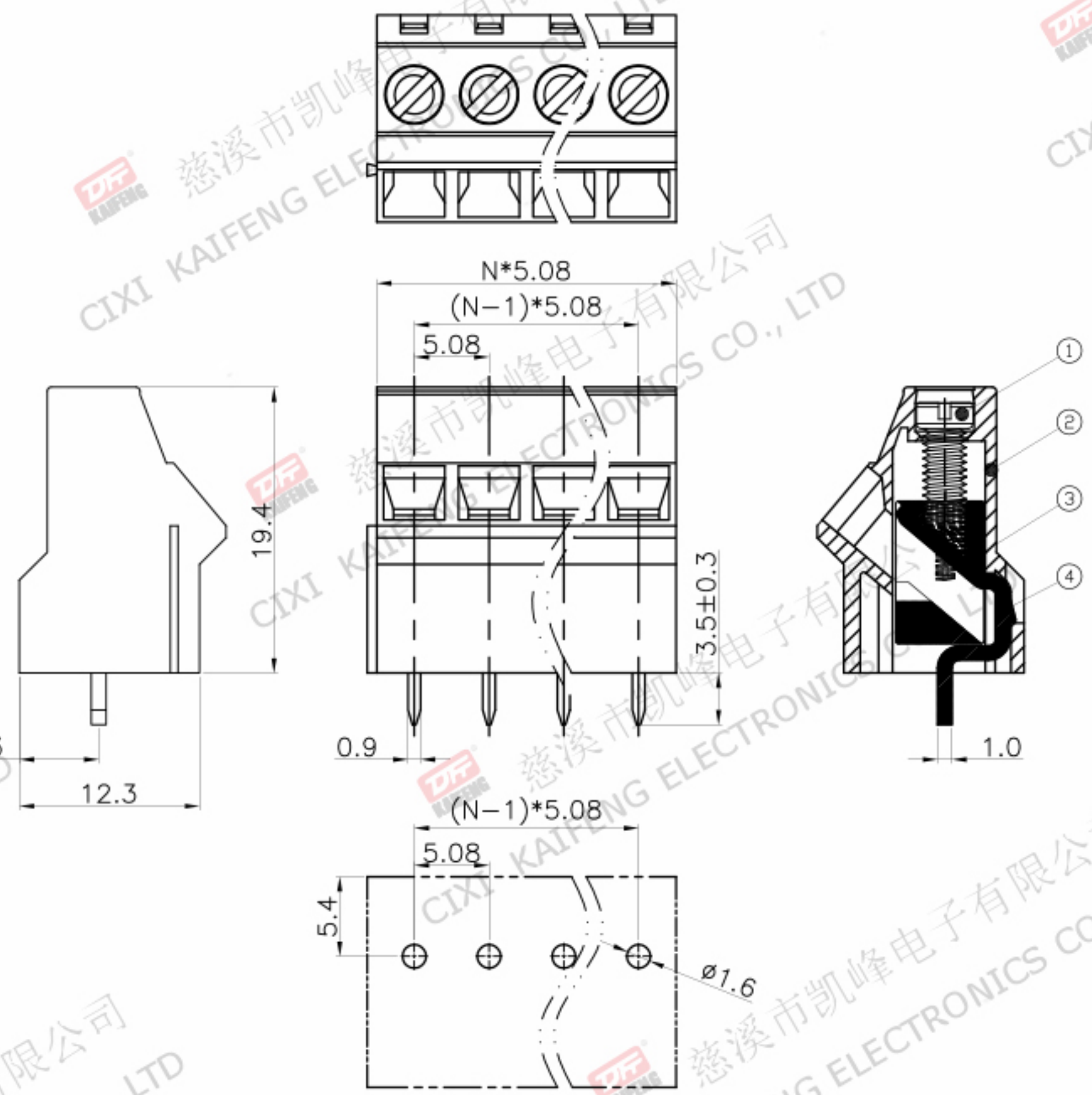
HOW TO ORDER



Pitch range		Nominal dimension range					PROJECTION	UNIT	TITLE
>0	>6	>0	>30	>60	>100	0.1/10	mm	KF104-5.0-XXP-1X	
6	10	30	60	100	150	<	A4	SERIES KF104	
±0.15	±0.20	±0.30	±0.30	±0.50	±0.70	±1.00	±1.30	±2°	
DRAWING TYPE		CUSTOMER DRAWING							
SCALE		1:1	SHEET		1 OF 1				
DRAWING NO.		W15000342							

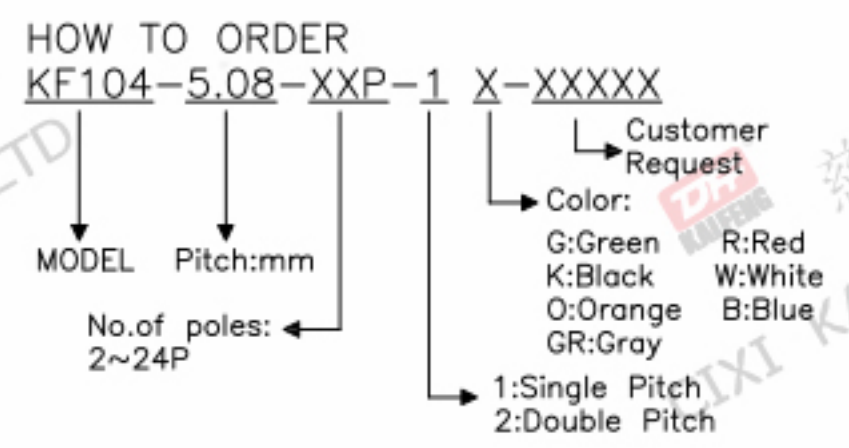
慈溪市凯峰电子有限公司
CIXI KAIFENG ELECTRONICS CO.,LTD

REV.	DESCRIPTION	DATE	DRAFTER	APPROVER
A1	DWG.REL	2020.05.18	DENG	JIN



- Material
 - ①Screws : M3.0 steel, Zinc plated, *- slot type
 - ②Housing : PA66, UL94V-0
 - ③Clamp : Copper alloy, Ni plated
 - ④Pin header : Copper alloy, Tin plated
- Electrical

	UL	IEC
Rated voltage :	300V	250V
Rated current :	15A	24A
Contact resistance :	20mΩ(Max)	
Insulation resistance:	500MΩ/DC500V	
Withstanding Voltage :	AC2000V/1min	
Wire range:	24-14AWG 2.5mm ²	
- Mechanical
 - Operating temperature: -40°C ~ +105°C
 - Soldering temperature: 250°C ± 5 / 5sec
 - Torque: 0.5N.m (4.43Lb.in)
 - Strip length: 6-7mm
- RoHS compliance



P.C.B.LAYOUT

Pitch range	Nominal dimension range							PROJECTION	TITLE	
>0	>6	>10	>0	>30	>60	>100	>150	UNIT	KF104-5.08-XXP-1X	
~6	~10	~24	~30	~60	~100	~150	>150	SHEET SIZE	A4	
±0.15	±0.20	±0.30	±0.30	±0.50	±0.70	±1.00	±1.30	±2'	SERIES	KF104
DRAWING TYPE		CUSTOMER DRAWING								
SCALE		1:1		SHEET		1 OF 1				
DRAWING NO.		W15000352								

DF 慈溪市凯峰电子有限公司
CIXI KAIFENG ELECTRONICS CO.,LTD