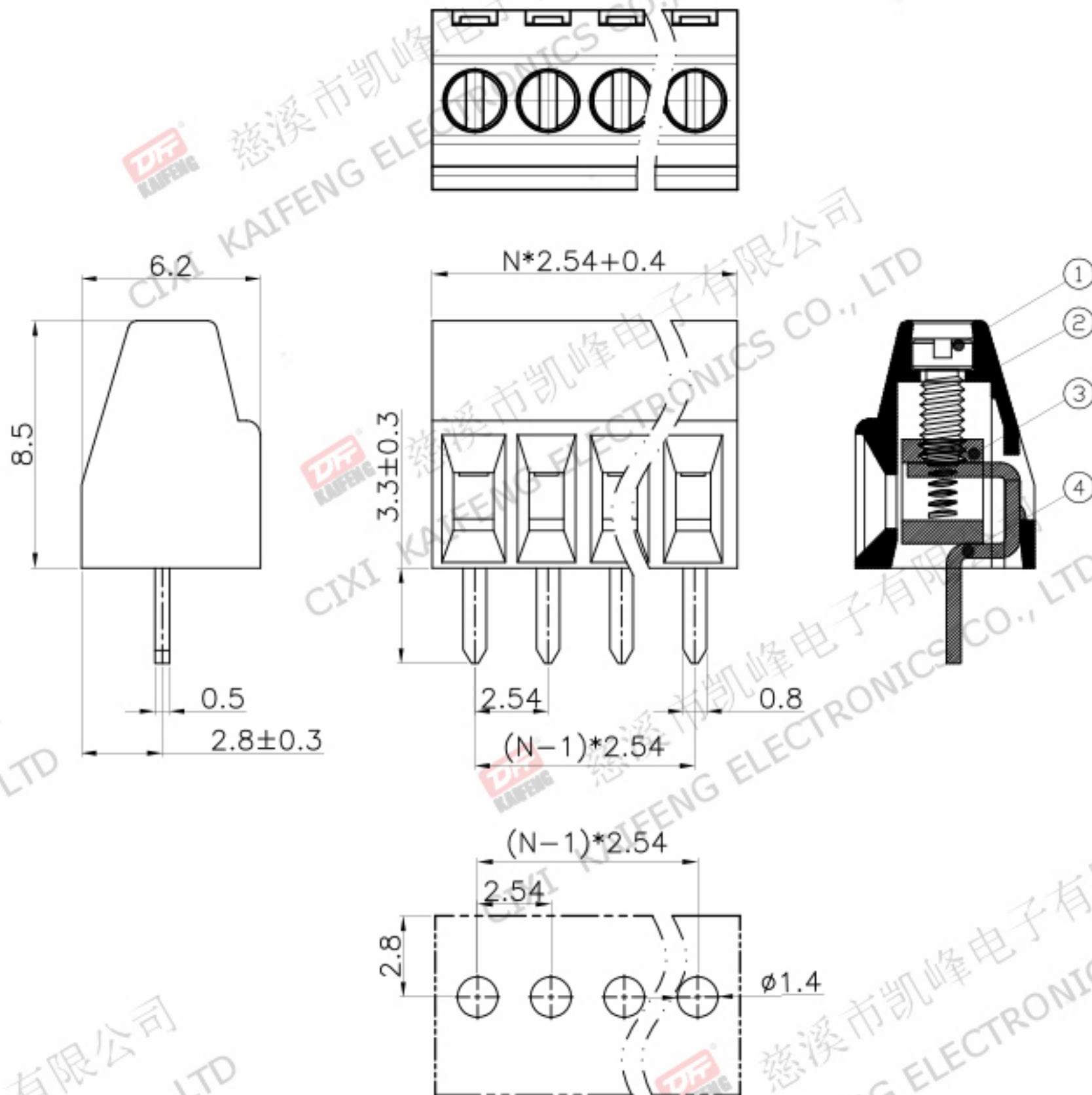


REV.	DESCRIPTION	DATE	DRAFTER	APPROVER
A1	DWG.REL	2020.05.19	DENG	JIN

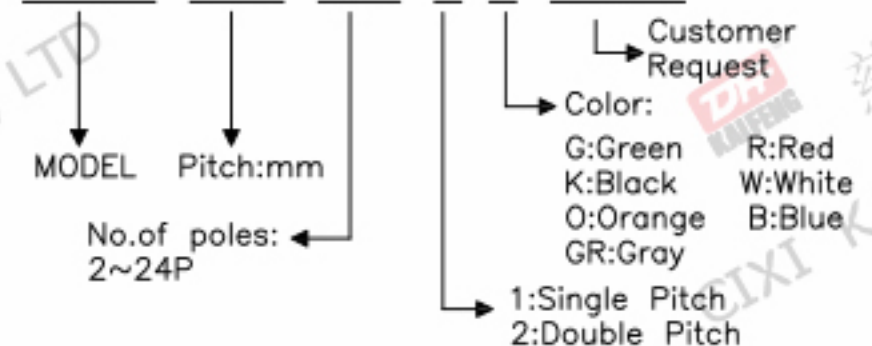


- Material
 - ① Screws : M1.6 steel, Zinc plated, *-slot type
 - ② Housing : PA66, UL94V-0
 - ③ Clamp : Copper alloy, Ni plated
 - ④ Pin header : Copper alloy, Tin plated
- Electrical

UL	IEC
Rated voltage : 150V	130V
Rated current : 6A	8A
Contact resistance : 20mΩ(Max)	
Insulation resistance: 500MΩ/1000V	
Withstanding Voltage : AC1500V/1min	
Wire range: 26-18AWG	1.0mm ²
- Mechanical
 - Operating temperature: $-40^{\circ}\text{C} \sim +105^{\circ}\text{C}$
 - Soldering temperature: $250^{\circ}\text{C} \pm 5/5\text{sec}$
 - Torque: 0.1N.m (0.89Lb.in)
 - Strip length: 3.7-4.7mm
- RoHS compliance

HOW TO ORDER

KF120-2.54-XXP-1 X-XXXX



P.C.B.LAYOUT

Pitch range	Nominal dimension range	PROJECTION	TITLE
>0 ~6	>0 ~30	0.1/10	KF120-2.54-XXP-1X
>6 ~10	>30 ~60	UNIT	mm
>10 ~24	>60 ~100	SHEET SIZE	A4
>30 ~30	>100 ~150	SERIES	KF120
±0.15	±0.20		
±0.30	±0.30		
±0.50	±0.70		
±1.00	±1.30		
±2'			
DRAWING TYPE	CUSTOMER DRAWING		
SCALE	1:1	SHEET	1 OF 1
DRAWING NO.	W15000362		



慈溪市凯峰电子有限公司
CIXI KAIFENG ELECTRONICS CO.,LTD