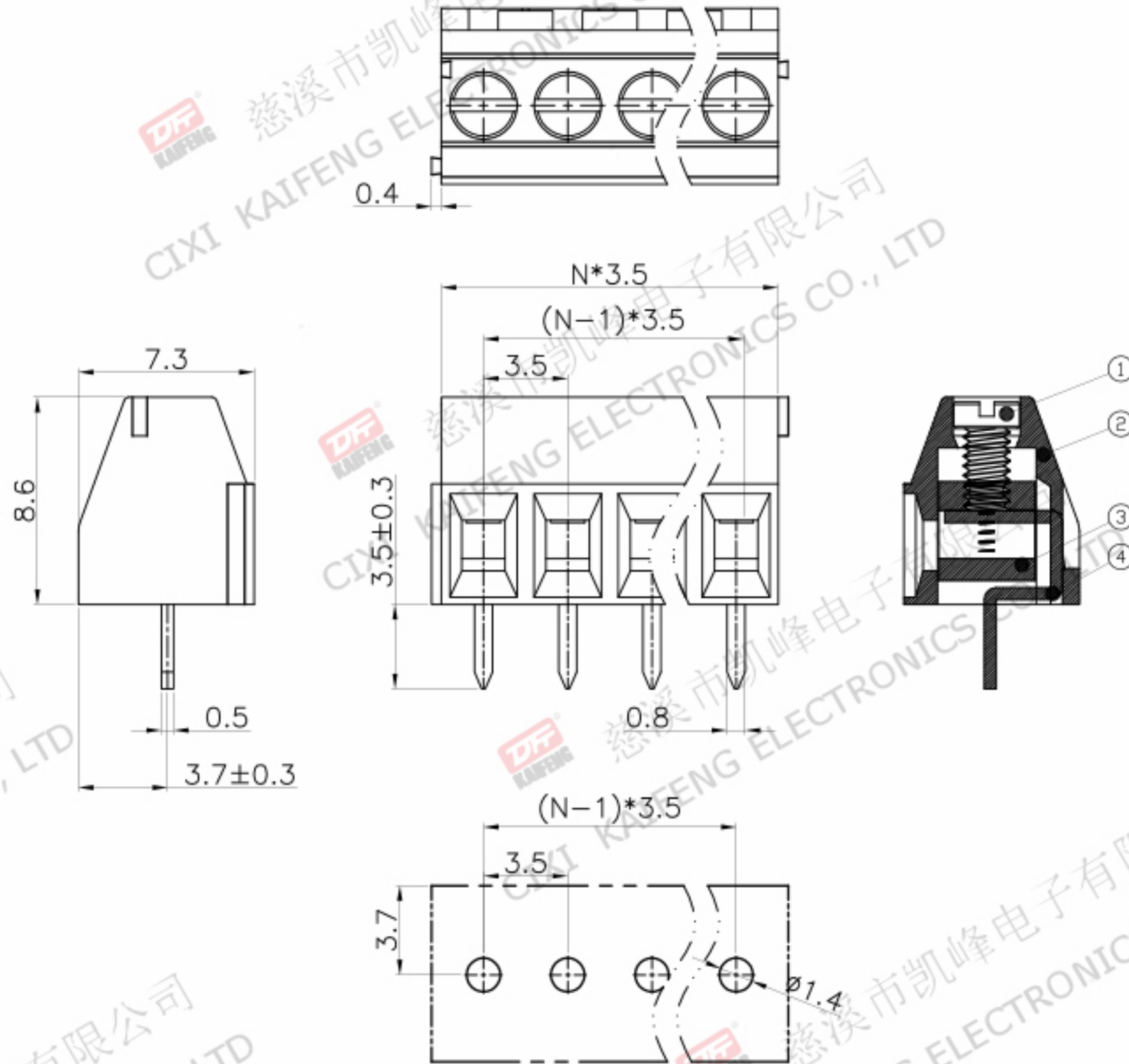


REV.	DESCRIPTION	DATE	DRAFTER	APPROVER
A1	DWG.REL	2020.05.19	DENG	JIN



- Material
 - ØScrews : M2.0 steel, Zinc plated, - slot type
 - ØHousing : PA66, UL94V-0
 - ØClamp : Copper alloy, Ni plated
 - ØPin header : Copper alloy, Tin plated

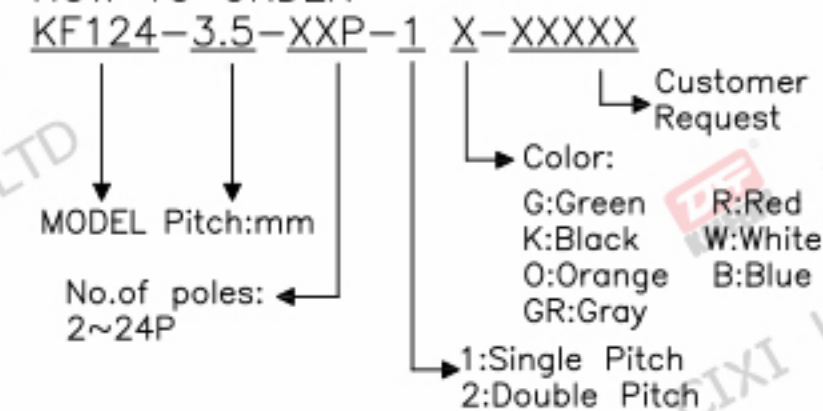
- Electrical

UL	IEC
Rated voltage : 150V	130V
Rated current : 10A	10A
Contact resistance : 20mΩ(Max)	
Insulation resistance: 500MΩ/DC500V	
Withstanding Voltage : AC1500V/1min	
Wire range: 24-16AWG 1.5mm ²	

- Mechanical
 - Operating temperature: -40°C ~ +105°C
 - Soldering temperature: 250°C ± 5/5sec
 - Torque: 0.2N.m (1.77Lb.in)
 - Strip length: 5-6mm

- RoHS compliance

HOW TO ORDER

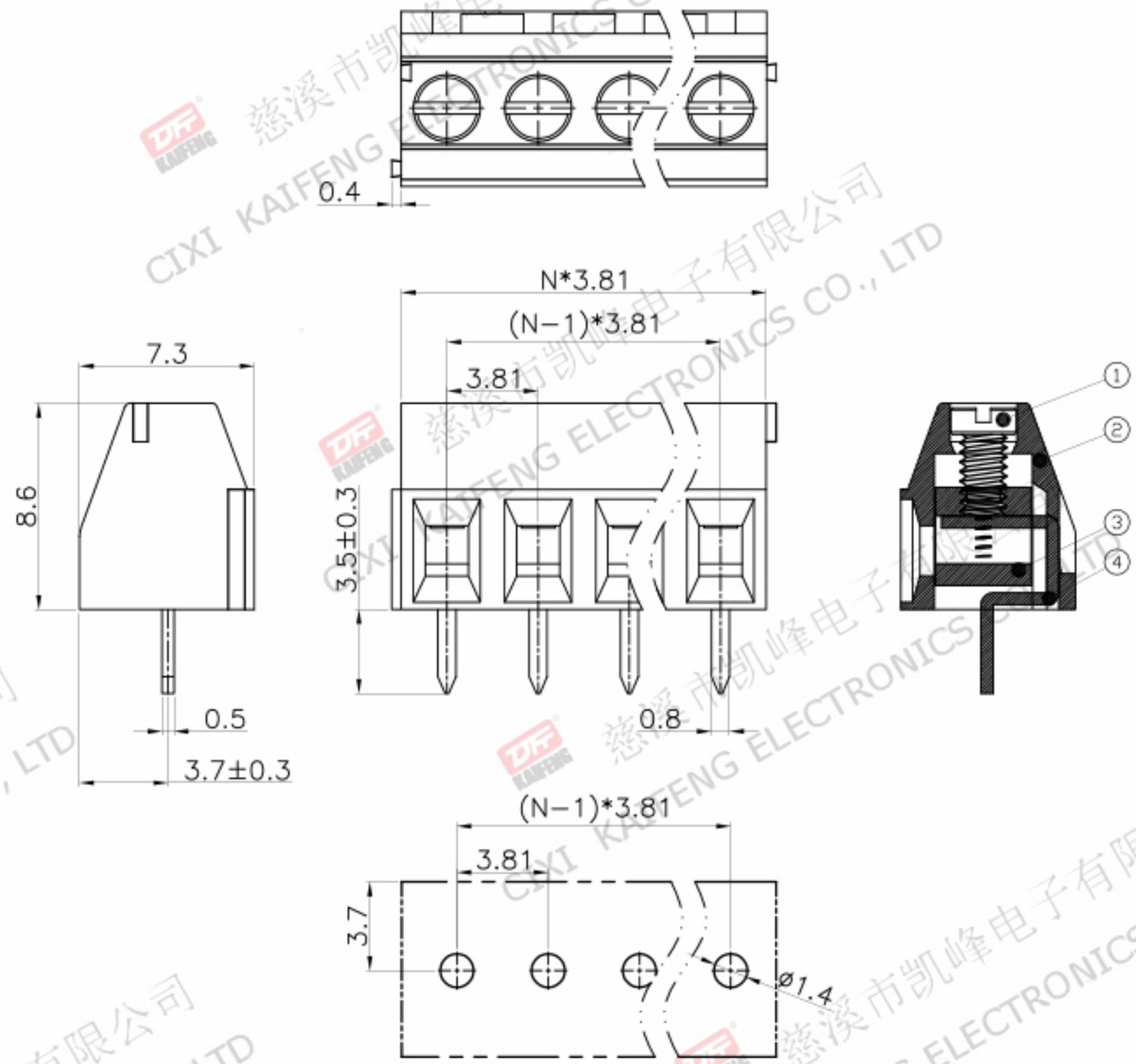


P.C.B.LAYOUT

Pitch range		Nominal dimension range							PROJECTION	TITLE
>0	>6	>10	>0	>30	>60	>100	>150	0.1/10	KF124-3.5-XXP-1X	
~6	~10	~24	~30	~60	~100	~150	<	UNIT mm	SHEET SIZE A4	
±0.15	±0.20	±0.30	±0.30	±0.50	±0.70	±1.00	±1.30	±2'	SERIES KF124	
DRAWING TYPE		CUSTOMER DRAWING								
SCALE		1:1		SHEET		1 OF 1				
DRAWING NO.		W15000382								

DF 慈溪市凯峰电子有限公司
CIXI KAIFENG ELECTRONICS CO.,LTD

REV.	DESCRIPTION	DATE	DRAFTER	APPROVER
A1	DWG.REL	2020.05.19	DENG	JIN



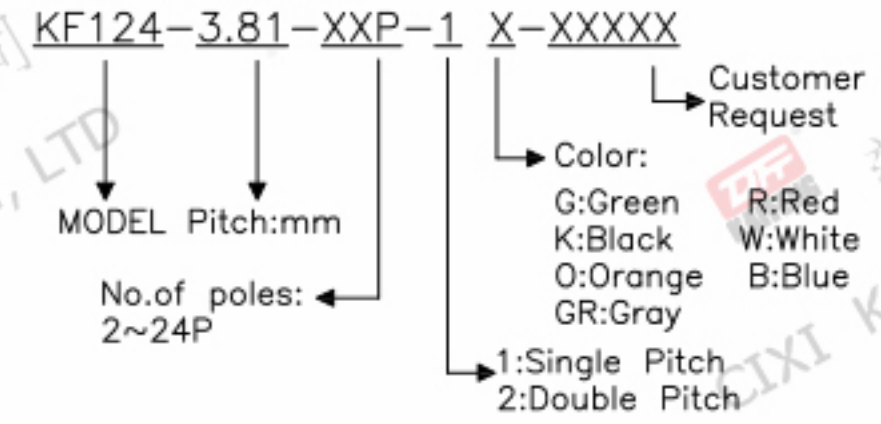
- Material
 - ØScrews : M2.0 steel, Zinc plated, *-* slot type
 - ØHousing : PA66, UL94V-0
 - ØClamp : Copper alloy, Ni plated
 - ØPin header : Copper alloy, Tin plated

- Electrical
 - UL IEC
 - Rated voltage : 150V 130V
 - Rated current : 10A 10A
 - Contact resistance : 20mΩ(Max)
 - Insulation resistance: 500MΩ/DC500V
 - Withstanding Voltage : AC1500V/1min
 - Wire range: 24-16AWG 1.5mm²

- Mechanical
 - Operating temperature: -40°C ~ +105°C
 - Soldering temperature: 250°C ± 5/5sec
 - Torque: 0.2N.m (1.77Lb.in)
 - Strip length: 5-6mm

- RoHS compliance

HOW TO ORDER



P.C.B.LAYOUT

Pitch range	Nominal dimension range							PROJECTION	TITLE
>0	>6	>10	>0	>30	>60	>100	>150	UNIT	KF124-3.81-XXP-1X
~6	~10	~24	~30	~60	~100	~150	>150	SHEET SIZE	A4
±0.15	±0.20	±0.30	±0.30	±0.50	±0.70	±1.00	±1.30	DRAWING TYPE	CUSTOMER DRAWING
SCALE		1:1		SHEET		1 OF 1		DRAWING NO.	
				W15000372					

DF 慈溪市凯峰电子有限公司
CIXI KAIFENG ELECTRONICS CO.,LTD

REV.	DESCRIPTION	DATE	DRAFTER	APPROVER
A1	DWG.REL	2020.05.19	DENG	JIN

- Material
 - ①Screws : M2.0 steel, Zinc plated, - slot type
 - ②Housing : PA66, UL94V-0
 - ③Clamp : Copper alloy, Ni plated
 - ④Pin header : Copper alloy, Tin plated

- Electrical

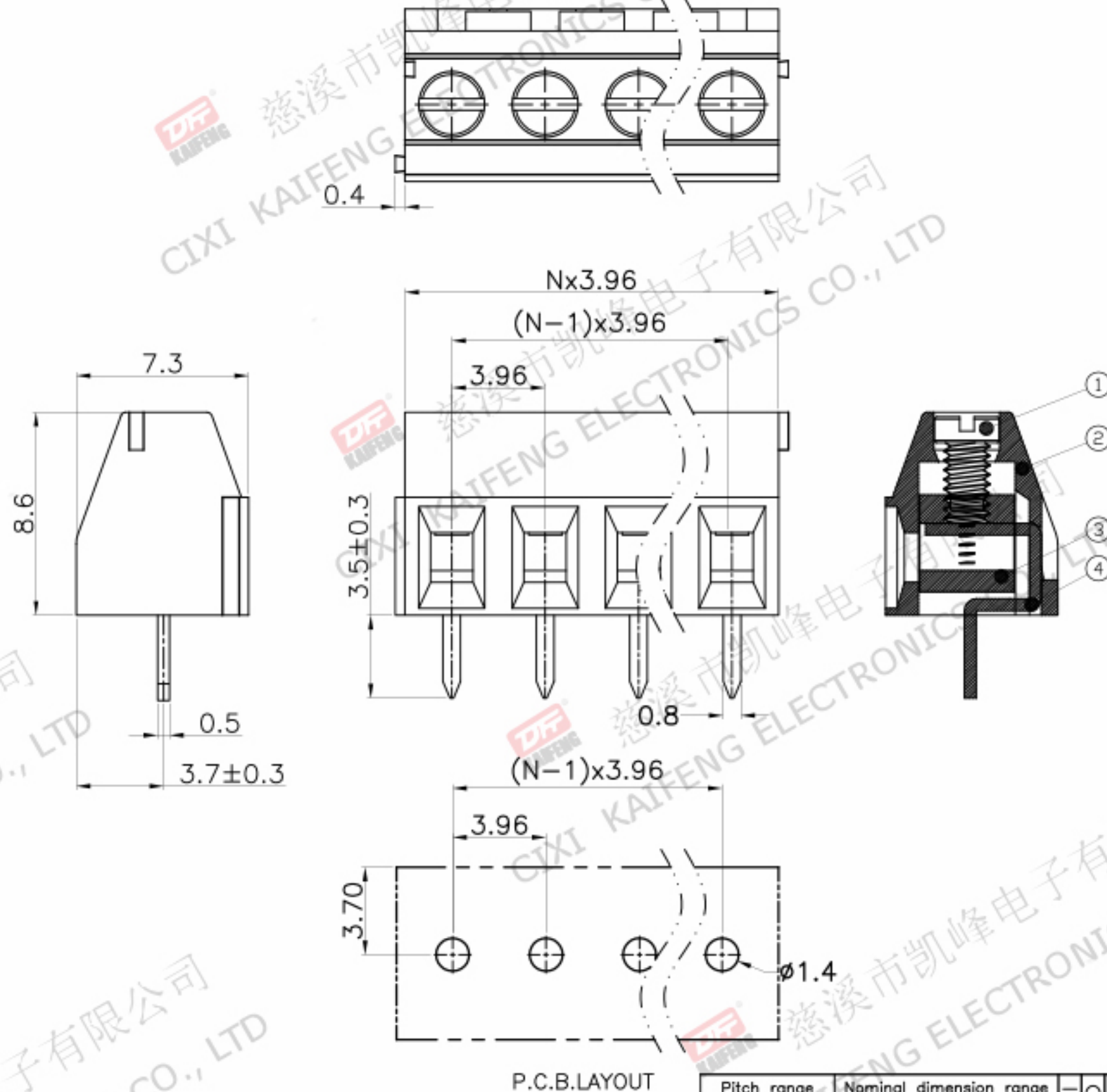
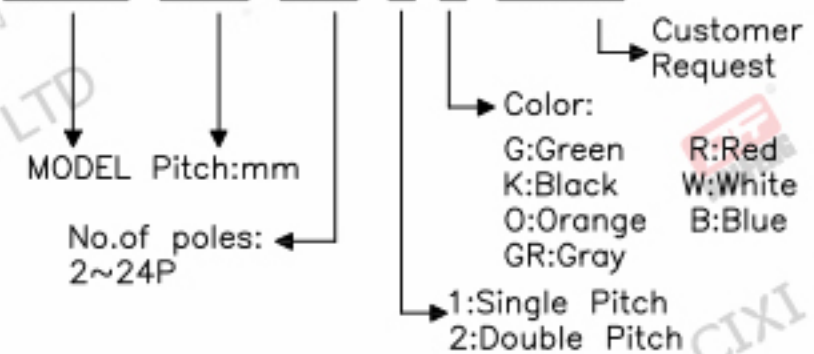
UL	IEC
Rated voltage : 150V	130V
Rated current : 10A	10A
Contact resistance : 20mΩ(Max)	
Insulation resistance: 500MΩ/DC500V	
Withstanding Voltage : AC1500V/1min	
Wire range: 24-16AWG 1.5mm ²	

- Mechanical
 - Operating temperature: -40°C ~ +105°C
 - Soldering temperature: 250°C ± 5/5sec
 - Torque: 0.2N.m (1.77Lb.in)
 - Strip length: 5-6mm

- RoHS compliance

HOW TO ORDER

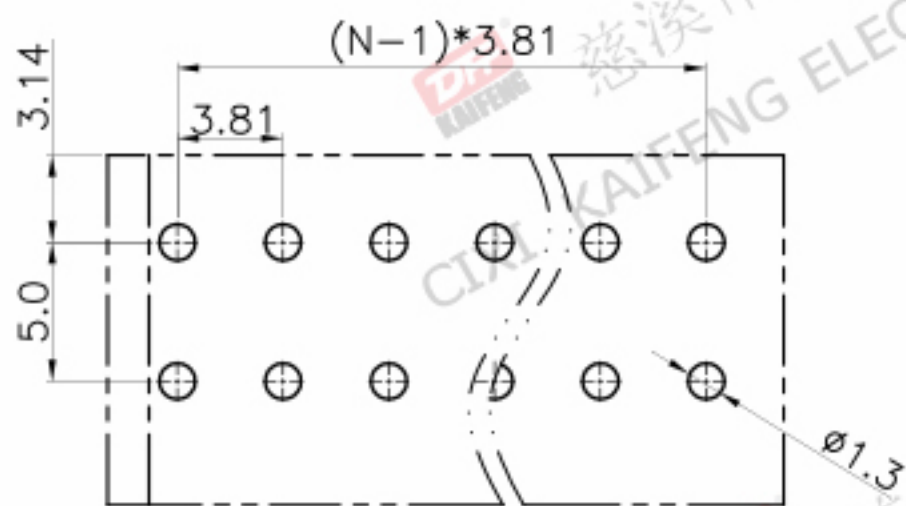
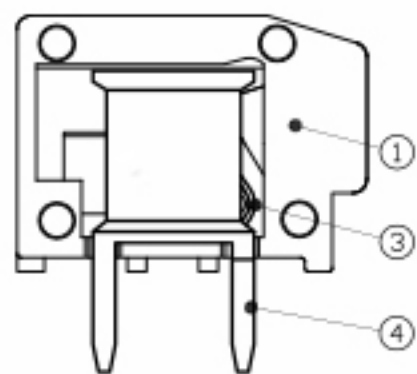
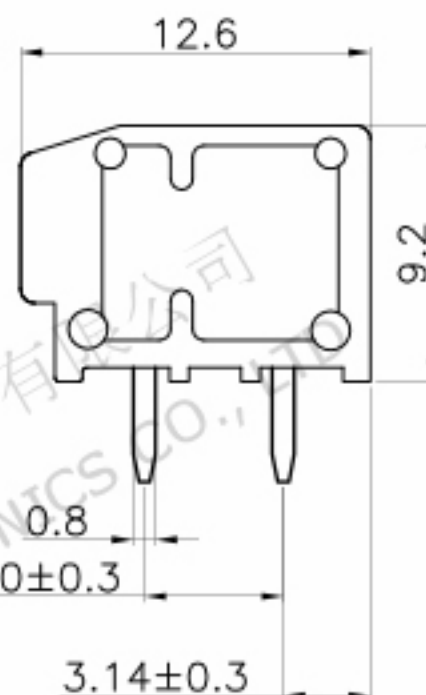
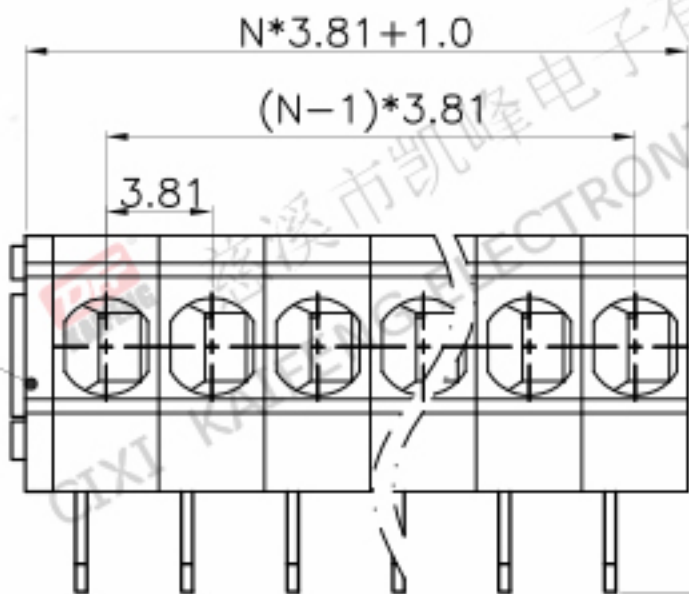
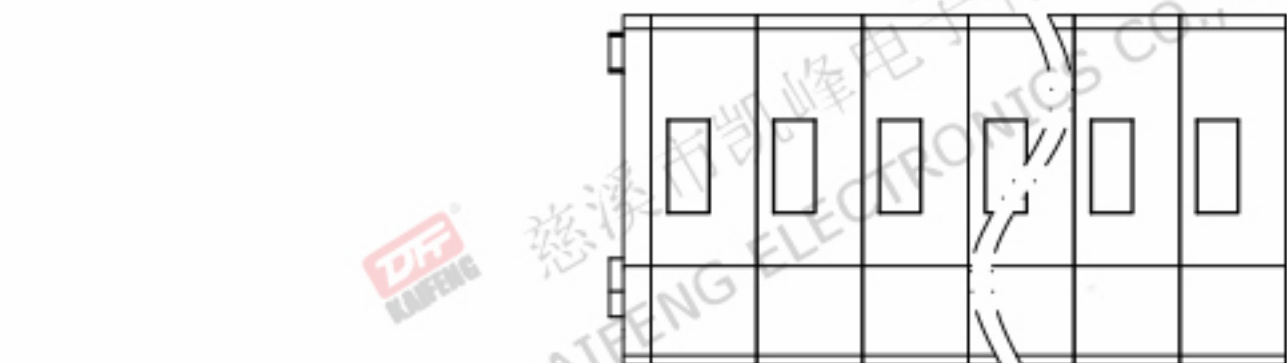
KF124-3.96-XXP-1 X-XXXXX



Pitch range		Nominal dimension range							PROJECTION	TITLE
>0	>6	>10	>0	>30	>60	>100	>150	0.1/10	KF124-3.96-XXP-1X	
~6	~10	~24	~30	~60	~100	~150	>150	<	SHEET SIZE A4	
±0.15	±0.20	±0.30	±0.30	±0.50	±0.70	±1.00	±1.30	±2'	SERIES KF124	
DRAWING TYPE		CUSTOMER DRAWING								
SCALE		1:1		SHEET		1 OF 1				
DRAWING NO.		W15000942								

DF 慈溪市凯峰电子有限公司
CIXI KAIFENG ELECTRONICS CO.,LTD

REV.	DESCRIPTION	DATE	DRAFTER	APPROVER
A1	DWG.REL	2020.05.28	DENG	JIN



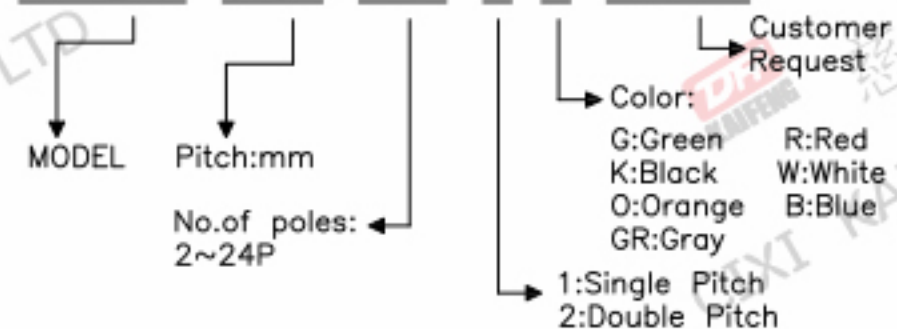
P.C.B.LAYOUT

- Material
 - ØHousing : PA66, UL94V-0
 - ØCover : PA66, UL94V-0
 - ØReed : Stainless steel
 - ØPin header : Copper alloy, Tin plated
- Electrical

	UL	IEC
Rated voltage :	300V	250V
Rated current :	5A	10A
Contact resistance :	20mΩ(Max)	
Insulation resistance:	500MΩ/DC500V	
Withstanding Voltage :	AC2000V/1min	
Wire range:	20-18AWG	1.5mm ²
- Mechanical
 - Operating temperature: -40°C ~ +105°C
 - Soldering temperature: 250°C ± 5 / 5sec
 - Strip length: 9-10m
- RoHS compliance

HOW TO ORDER

KF124A-3.81-XXP-1 X-XXXXX

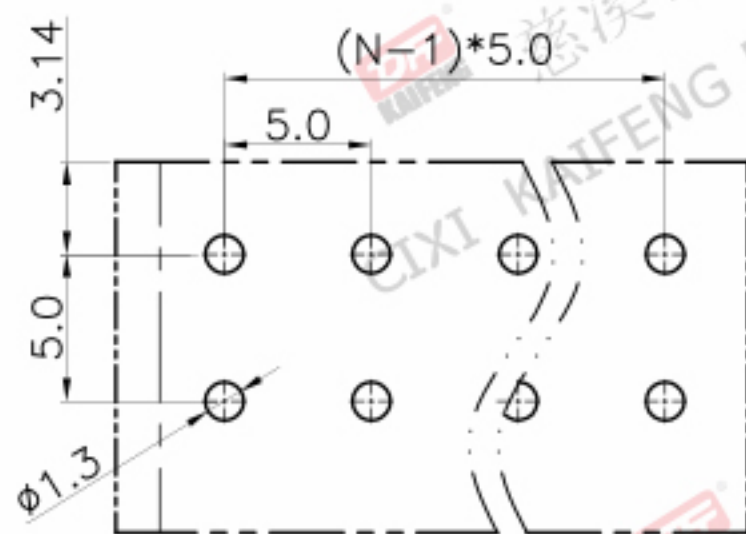
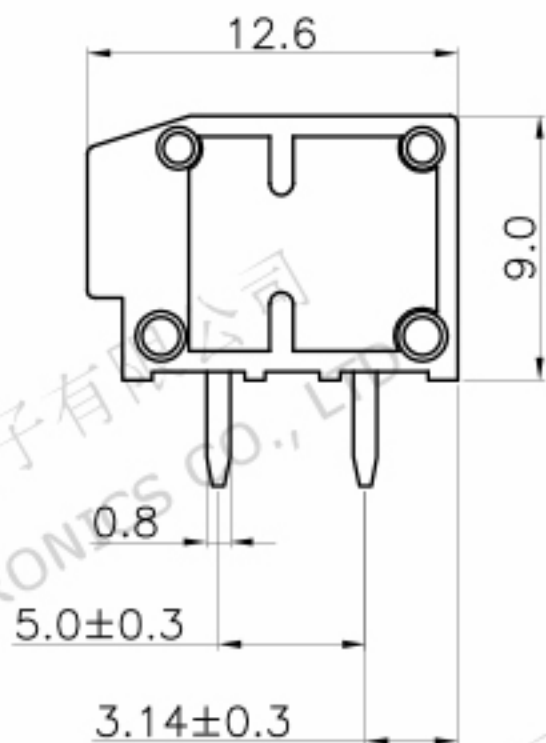
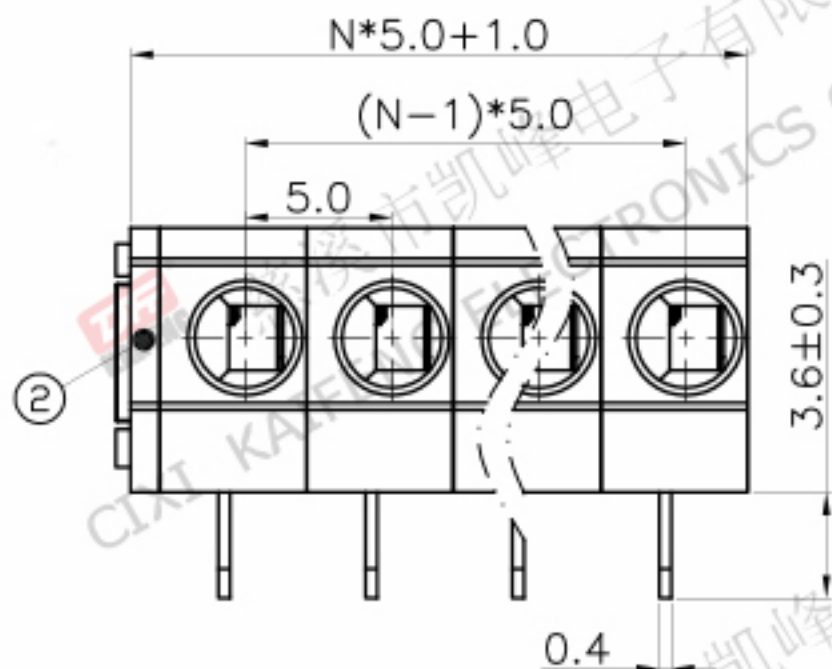
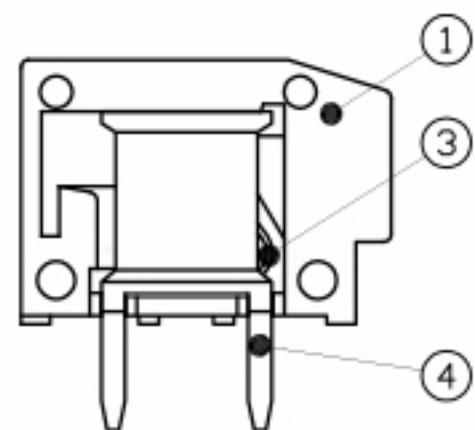
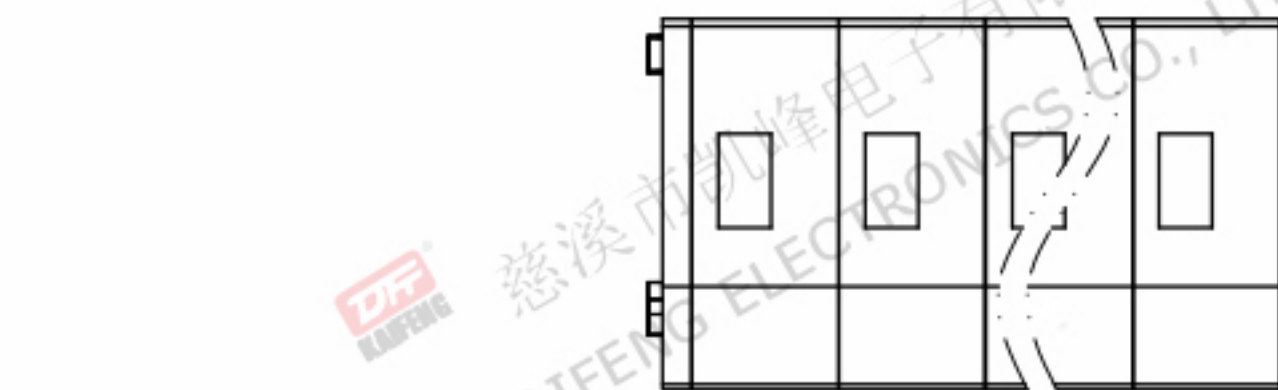


Pitch range	Nominal dimension range							PROJECTION	TITLE
>0	>6	>10	>0	>30	>60	>100	>150	0.1/10	KF124A-3.81-XXP-1X
~6	~10	~24	~30	~60	~100	~150	>150	<	SHEET SIZE A4
±0.15	±0.20	±0.30	±0.30	±0.50	±0.70	±1.00	±1.30	±2'	SERIES KF124A

DRAWING TYPE	CUSTOMER DRAWING		
SCALE	1:1	SHEET	1 OF 1
DRAWING NO.	W15000272		

DF 慈溪市凯峰电子有限公司
CIXI KAIFENG ELECTRONICS CO.,LTD

REV.	DESCRIPTION	DATE	DRAFTER	APPROVER
A1	DWG.REL	2020.05.28	DENG	JIN



P.C.B.LAYOUT

- Material
 - ØHousing : PA66, UL94V-0
 - ØCover : PA66, UL94V-0
 - ØReed : Stainless steel
 - ØPin header : Copper alloy, Tin plated

- Electrical

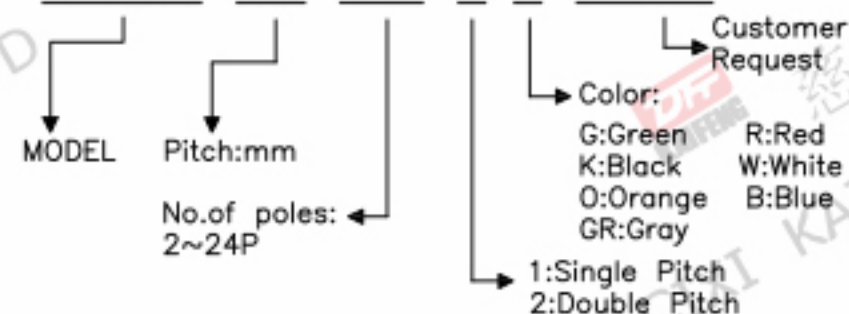
UL	IEC
Rated voltage : 300V	250V
Rated current : 5A	15A
Contact resistance : 20mΩ(Max)	
Insulation resistance: 500MΩ/DC500V	
Withstanding Voltage : AC2000V/1min	
Wire range: 20-18AWG 1.5mm ²	

- Mechanical
 - Operating temperature: -40°C ~ +105°C
 - Soldering temperature: 250°C ± 5/5sec
 - Strip length: 9-10mm

- RoHS compliance

HOW TO ORDER

KF124A-5.0-XXP-1 X-XXXXX



Pitch range	Nominal dimension range							PROJECTION	TITLE
>0	>6	>10	>0	>30	>60	>100	>150	0.1/10	KF124A-5.0-XXP-1X
~6	~10	~24	~30	~60	~100	~150	>150	<	SHEET SIZE A4
±0.15	±0.20	±0.30	±0.30	±0.50	±0.70	±1.00	±1.30	±2'	SERIES KF124A

DRAWING TYPE	CUSTOMER DRAWING		
SCALE	1:1	SHEET	1 OF 1
DRAWING NO.	W15000292		

DF 慈溪市凯峰电子有限公司
CIXI KAIFENG ELECTRONICS CO.,LTD

REV.	DESCRIPTION	DATE	DRAFTER	APPROVER
A1	DWG.REL	2020.05.28	DENG	JIN

- Material
 - ①Housing : PA66, UL94V-0
 - ②Cover : PA66, UL94V-0
 - ③Reed : Stainless steel
 - ④Pin header : Copper alloy, Tin plated

- Electrical

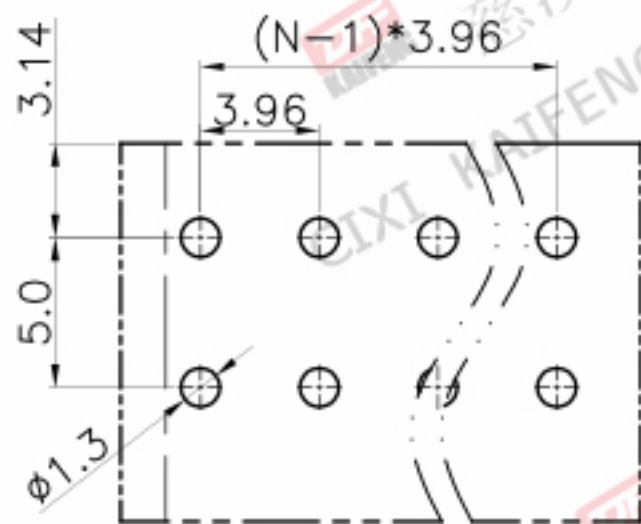
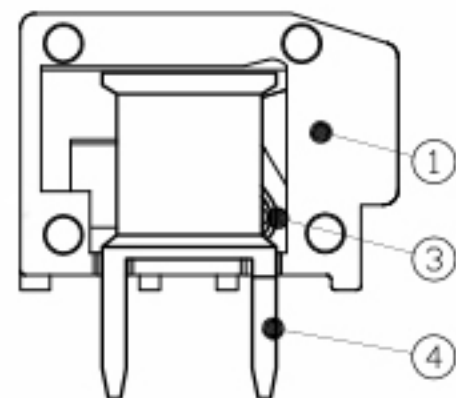
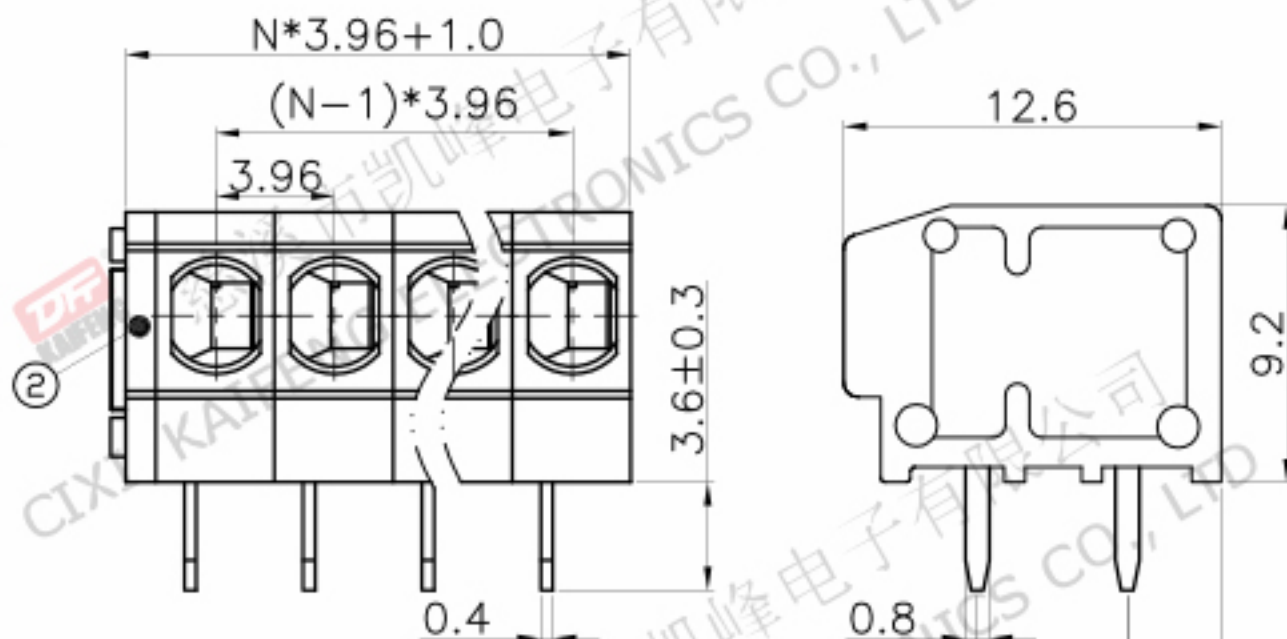
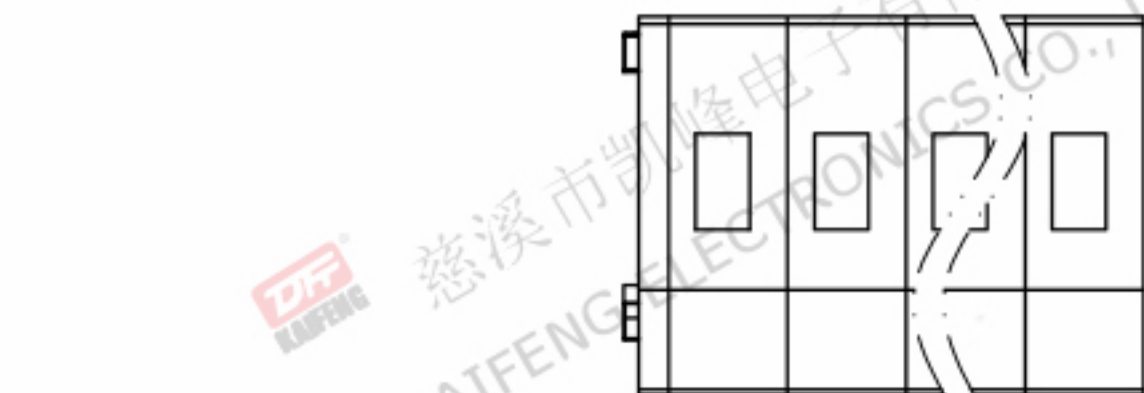
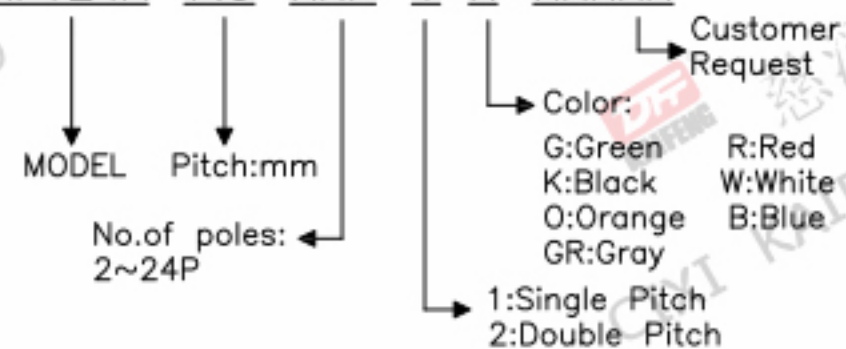
UL	IEC
Rated voltage : 300V	250V
Rated current : 5A	10A
Contact resistance : 20mΩ(Max)	
Insulation resistance: 500MΩ/DC500V	
Withstanding Voltage : AC2000V/1min	
Wire range: 20-18AWG 1.5mm ²	

- Mechanical
 - Operating temperature: -40°C ~ +105°C
 - Soldering temperature: 250°C ± 5 / 5sec
 - Strip length: 9-10mm

- RoHS compliance

HOW TO ORDER

KF124A-7.5-XXP-1 X-XXXXX



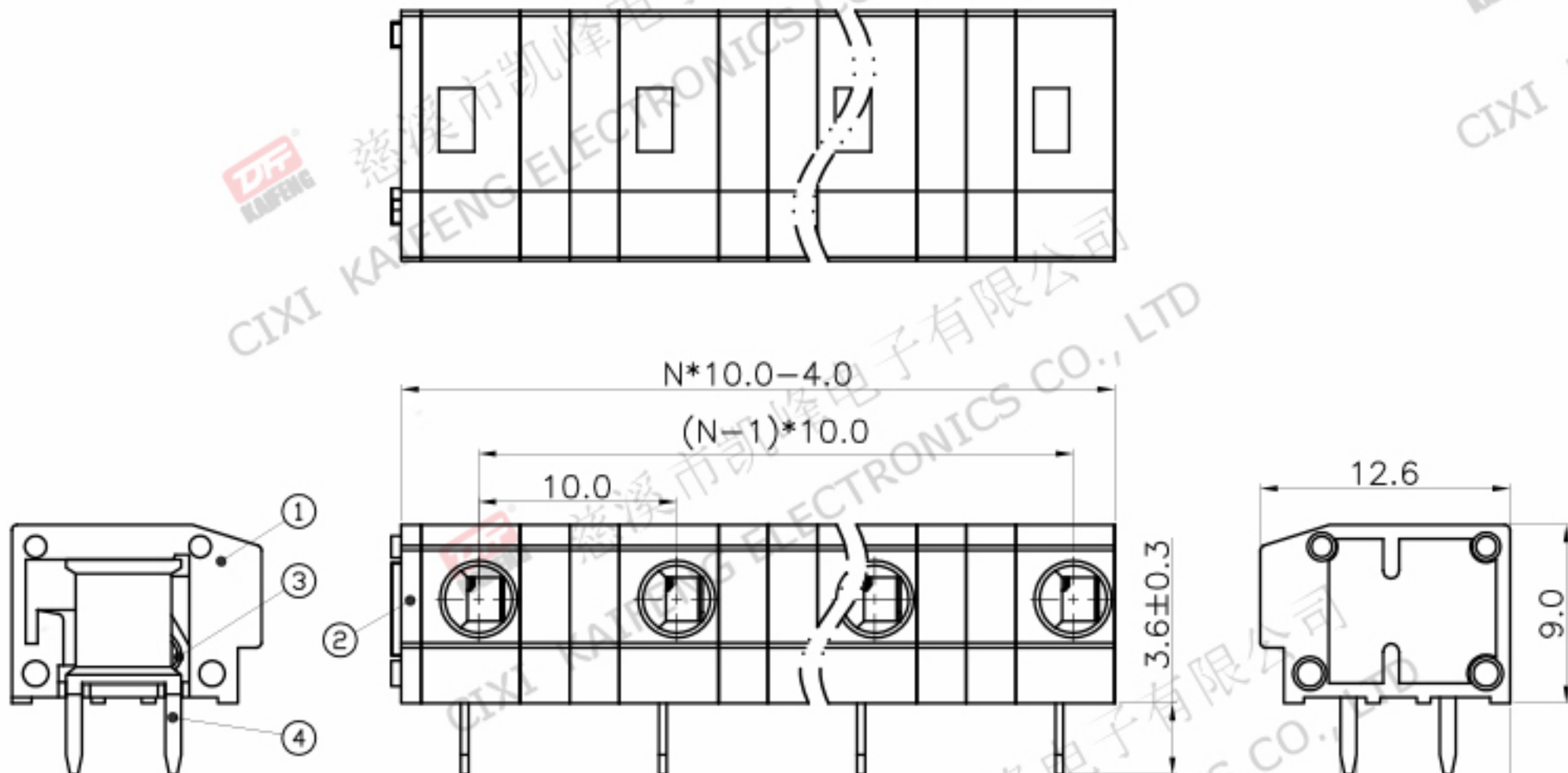
P.C.B.LAYOUT

Pitch range	Nominal dimension range							PROJECTION	TITLE
>0 ~ 6	>6 ~ 10	>10 ~ 24	>0 ~ 30	>30 ~ 60	>60 ~ 100	>100 ~ 150	>150	UNIT mm	KF124A-3.96-XXP-1X
±0.15	±0.20	±0.30	±0.30	±0.50	±0.70	±1.00	±1.30	SHEET SIZE A4	SERIES KF124A

DRAWING TYPE	CUSTOMER DRAWING		
SCALE	1:1	SHEET	1 OF 1
DRAWING NO.	W15000282		

DF 慈溪市凯峰电子有限公司
 CIXI KAIFENG ELECTRONICS CO.,LTD

REV.	DESCRIPTION	DATE	DRAFTER	APPROVER
A1	DWG.REL	2020.05.28	DENG	JIN



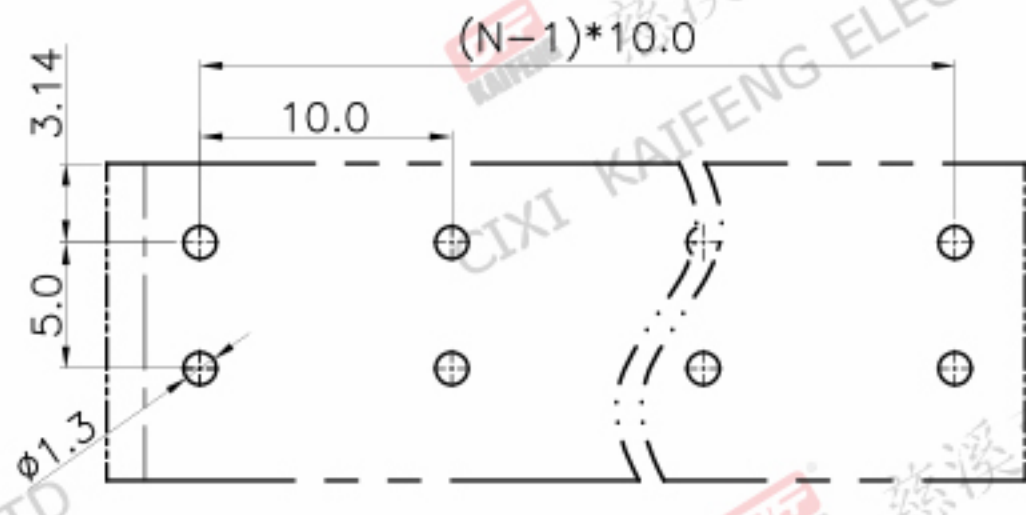
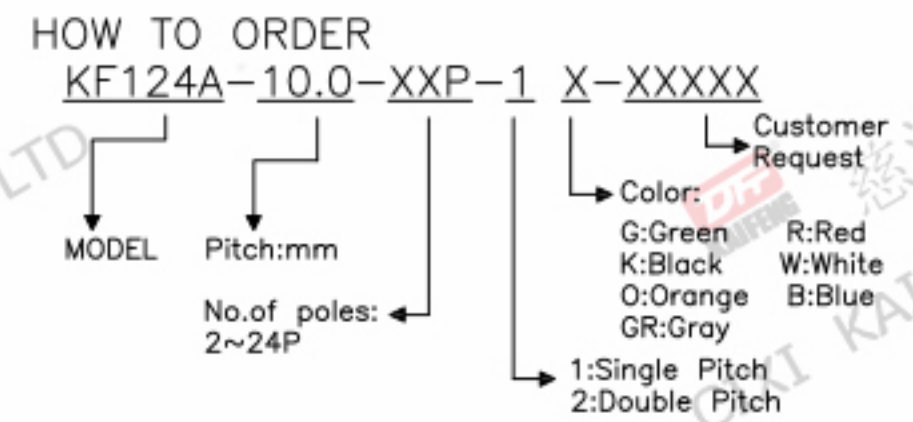
- Material
 - ①Housing : PA66, UL94V-0
 - ②Cover : PA66, UL94V-0
 - ③Reed : Stainless steel
 - ④Pin header : Copper alloy, Tin plated

- Electrical

UL	IEC
Rated voltage : 300V	750V
Rated current : 5A	15A
Contact resistance : 20mΩ(Max)	
Insulation resistance: 500MΩ/DC500V	
Withstanding Voltage : AC2000V/1min	
Wire range: 20-18AWG 1.5mm ²	

- Mechanical
 - Operating temperature: -40°C ~ +105°C
 - Soldering temperature: 250°C ± 5 / 5sec
 - Strip length: 9-10mm

- RoHS compliance



P.C.B.LAYOUT

Pitch range	Nominal dimension range							PROJECTION	TITLE
>0	>6	>10	>0	>30	>60	>100	>150	0.1/10	KF124A-10.0-XXP-1X
~6	~10	~24	~30	~60	~100	~150	>150	<	SHEET SIZE A4
±0.15	±0.20	±0.30	±0.30	±0.50	±0.70	±1.00	±1.30	±2'	SERIES KF124A
DRAWING TYPE		CUSTOMER DRAWING							
SCALE		1:1		SHEET		1 OF 1			
DRAWING NO.		W15000312							

DF 慈溪市凯峰电子有限公司
CIXI KAIFENG ELECTRONICS CO.,LTD

REV.	DESCRIPTION	DATE	DRAFTER	APPROVER
A1	DWG.REL	2020.05.27	DENG	JIN

- Material
 - ①Button : PA66, UL94V-0
 - ②Cover : PA66, UL94V-0
 - ③Housing : PA66, UL94V-0
 - ④Reed : Stainless steel
 - ⑤Pin header : Copper alloy, Tin plated

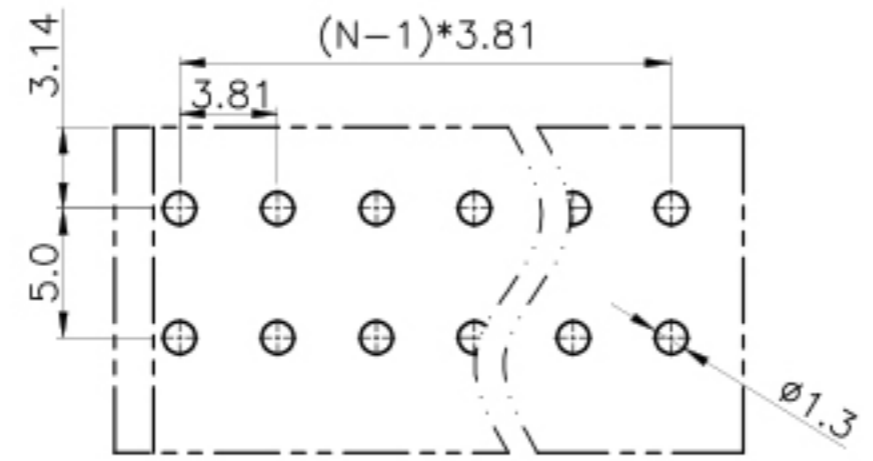
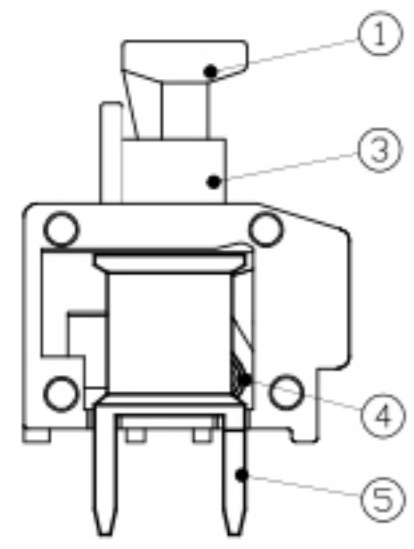
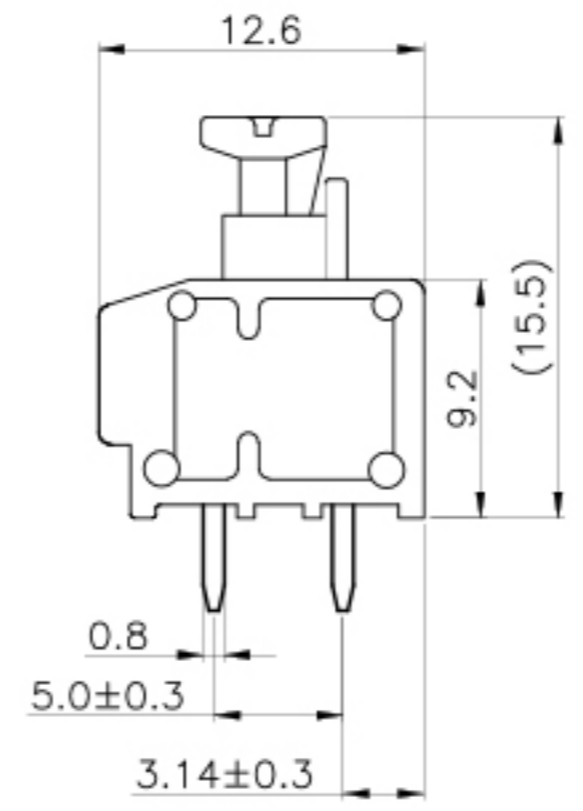
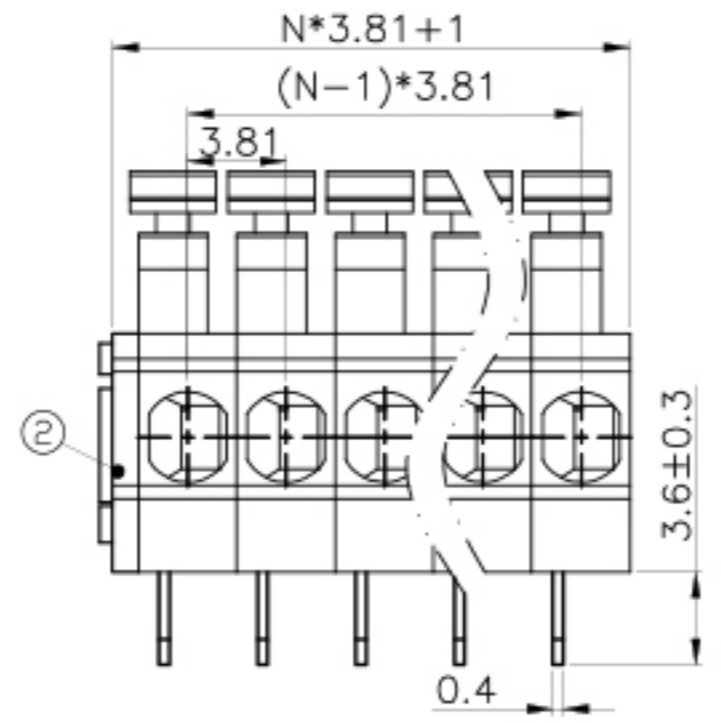
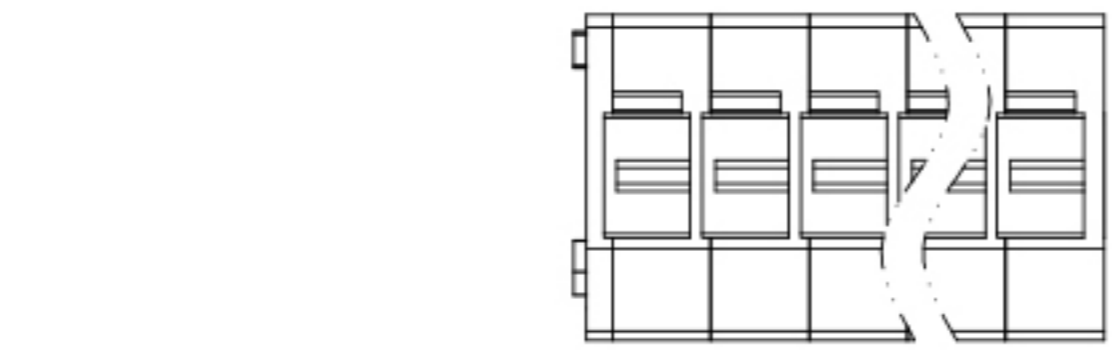
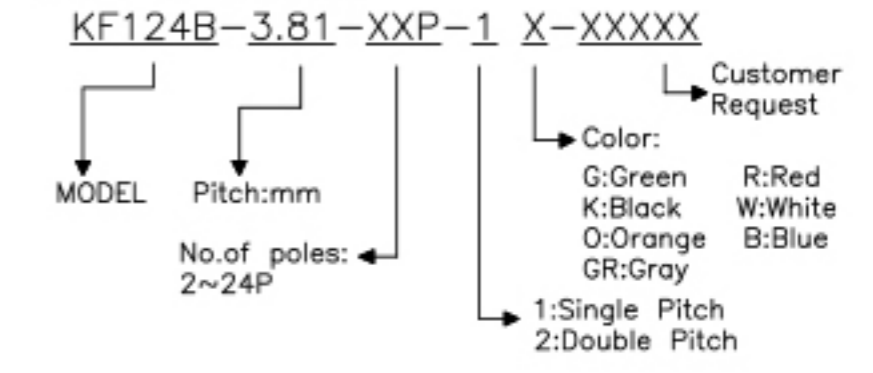
- Electrical

UL	IEC
Rated voltage : 300V	250V
Rated current : 5A	10A
Contact resistance : 20mΩ(Max)	
Insulation resistance: 500MΩ/DC500V	
Withstanding Voltage : AC2000V/1min	
Wire range: 20-18AWG 1.5mm ²	

- Mechanical
 - Operating temperature: -40℃~+105℃
 - Soldering temperature: 250℃±5/5sec
 - Strip length: 8-9mm

- RoHS compliance

HOW TO ORDER



P.C.B.LAYOUT

Pitch range		Nominal dimension range						PROJECTION	TITLE
>0	>6	>10	>0	>30	>60	>100	0.1/10	KF124B-3.81-XXP-1X	
~6	~10	~24	~30	~60	~100	~150	UNIT		
±0.15	±0.20	±0.30	±0.30	±0.50	±0.70	±1.00	±2'	SHEET SIZE	
DRAWING TYPE		CUSTOMER DRAWING						A4	SERIES
SCALE		1:1						SHEET	KF124
DRAWING NO.		W11000232						1 OF 1	

DF 慈溪市凯峰电子有限公司
CXI KAIFENG ELECTRONICS CO.,LTD

版本	修订内容	日期	绘图	批准
A1	DWG.REL	2020.05.27	邓亚平	金正发

• 材质及电镀

- ①按钮：PA66, UL94V-0
- ②盖板：PA66, UL94V-0
- ③主体：PA66, UL94V-0
- ④弹片：不锈钢
- ⑤焊针：铜合金, 镀锡

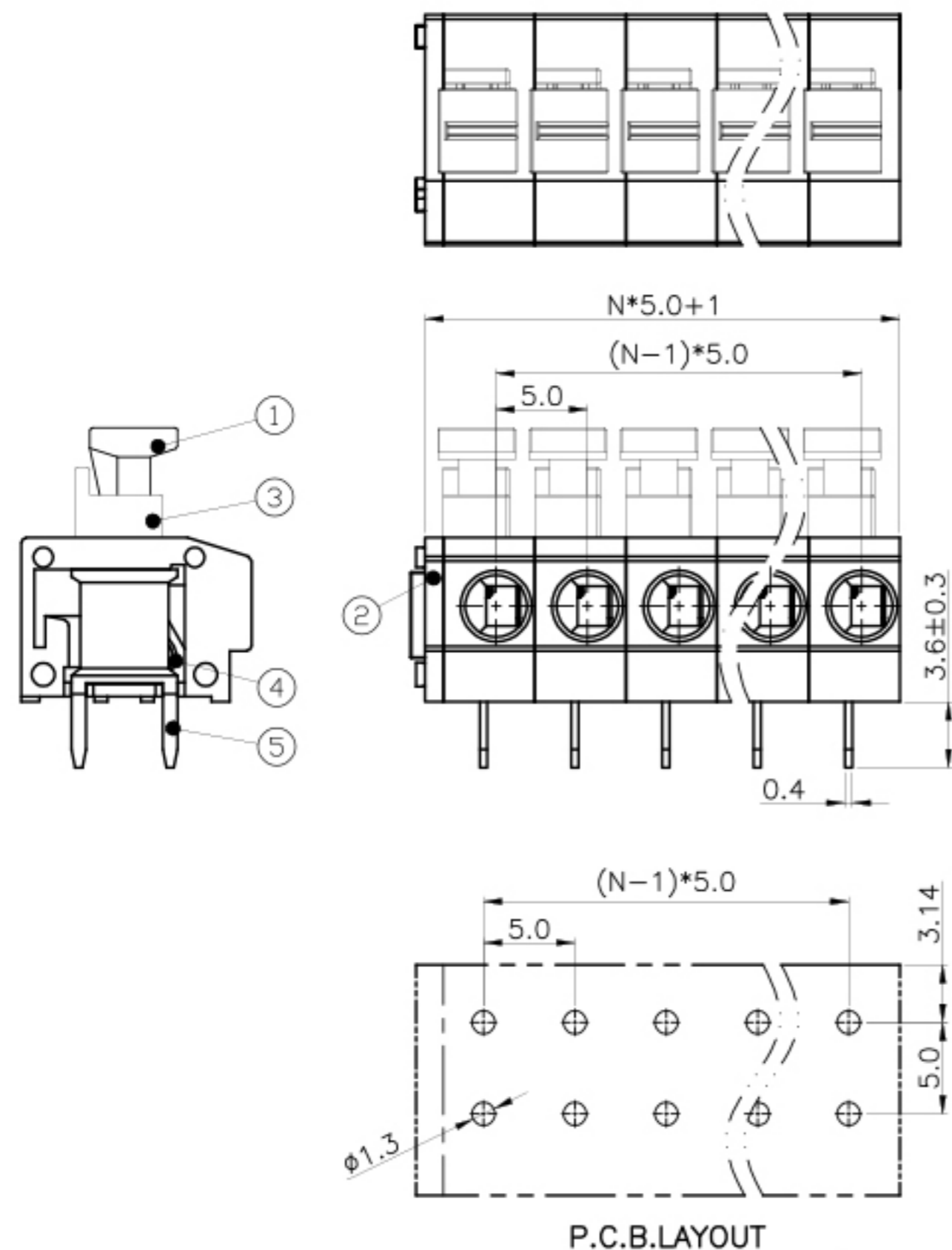
• 电气性能

- | | |
|-----------------------------------|------|
| UL | IEC |
| 额定电压: 300V | 250V |
| 额定电流: 5A | 15A |
| 接触电阻: 20mΩ(Max) | |
| 绝缘电阻: 500MΩ\DC500V | |
| 耐电压: AC2000V\1Min | |
| 使用线径: 20-18AWG 1.5mm ² | |

• 机械性能

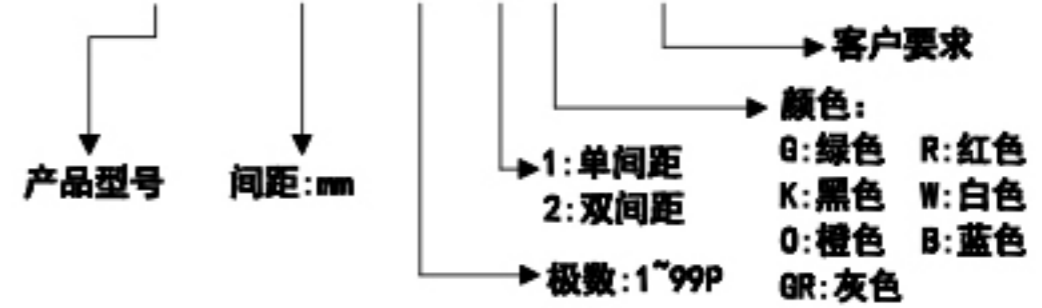
- 温度范围: -40℃~+105℃
- 瞬时温度: +250℃ 5秒
- 剥线长度: 8-9mm

• 符合RoHS环保要求



订购方式

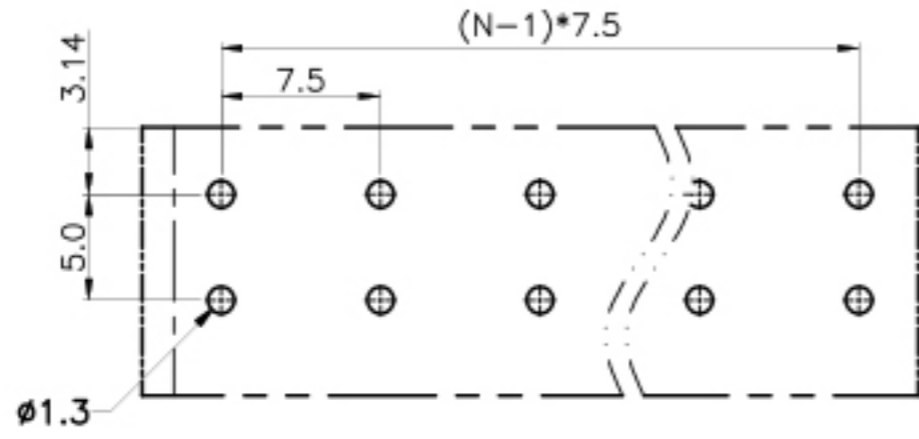
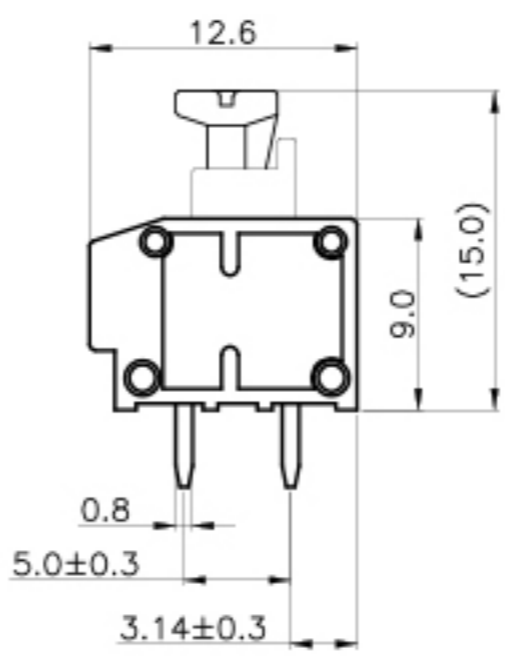
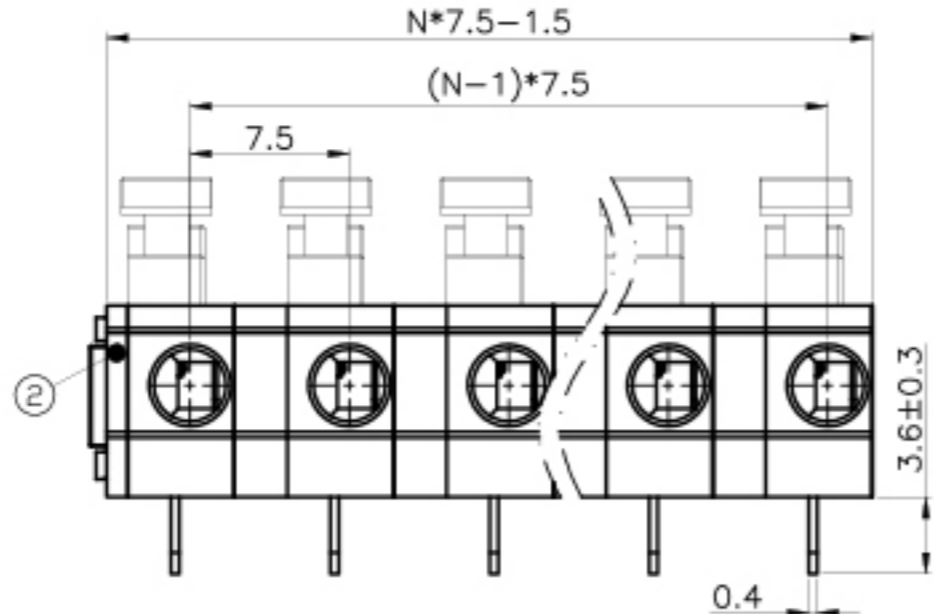
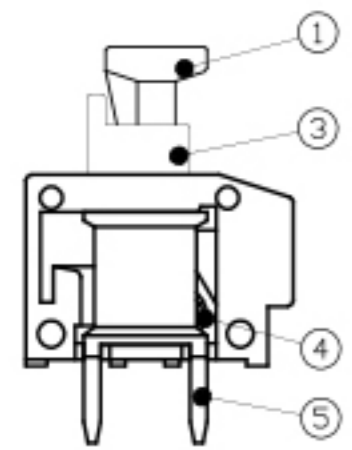
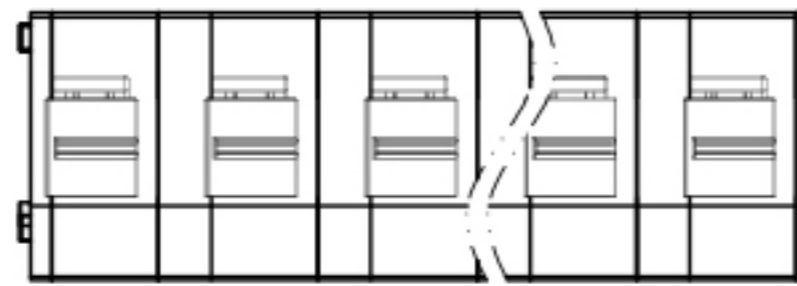
KF124B-5.0-XXP-1 X-XXXXX



间距尺寸公差		其它单位尺寸公差						投影法	品名	
>0	>6	>10	>0	>30	>60	>100	>150	第一角	KF124B-5.0-XXP-1X	
~6	~10	~24	~30	~60	~100	~150		单位	mm	
±0.15	±0.20	±0.30	±0.30	±0.50	±0.70	±1.00	±1.30	纸张尺寸	A4	
图纸类型		客户图纸						产品系列		KF124B
比例		1:1		四页		1/1		慈溪市凯峰电子有限公司		
图号		W11000241						CXI KAIFENG ELECTRONICS CO.,LTD		

DF 慈溪市凯峰电子有限公司
CXI KAIFENG ELECTRONICS CO.,LTD

REV.	DESCRIPTION	DATE	DRAFTER	APPROVER
A1	DWG.REL	2020.05.27	DENG	JIN



P.C.B.LAYOUT

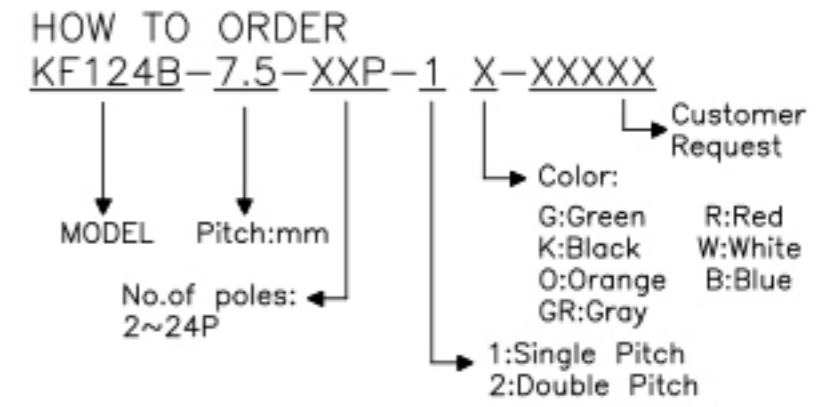
- Material
 - ①Button : PA66, UL94V-0
 - ②Cover : PA66, UL94V-0
 - ③Housing : PA66, UL94V-0
 - ④Reed : Stainless steel
 - ⑤Pin header : Copper alloy, Tin plated

- Electrical

	UL	IEC
Rated voltage :	300V	450V
Rated current :	5A	15A
Contact resistance :	20mΩ(Max)	
Insulation resistance:	500MΩ/DC500V	
Withstanding Voltage :	AC2000V/1min	
Wire range:	20-18AWG	1.5mm ²

- Mechanical
 - Operating temperature: -40℃~+105℃
 - Soldering temperature: 250℃±5/5sec
 - Strip length: 8-9mm

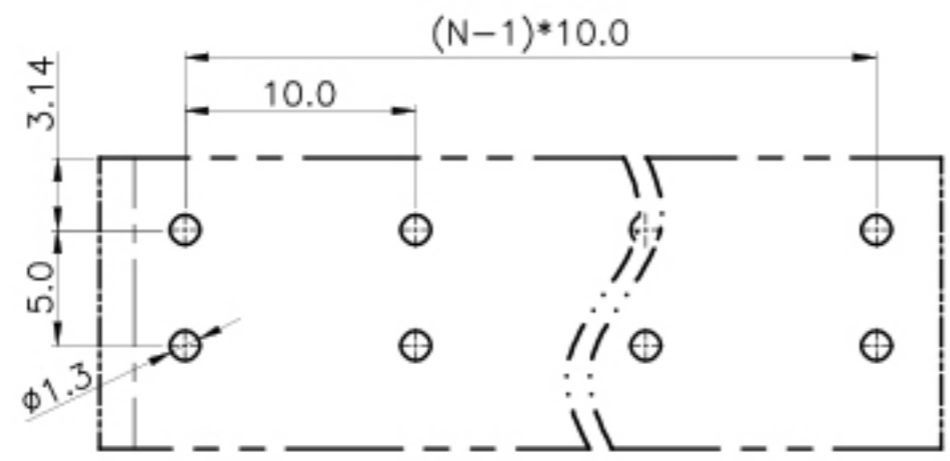
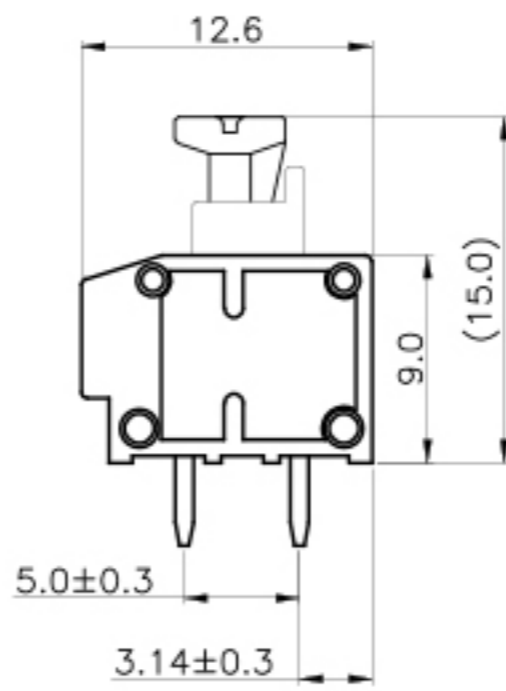
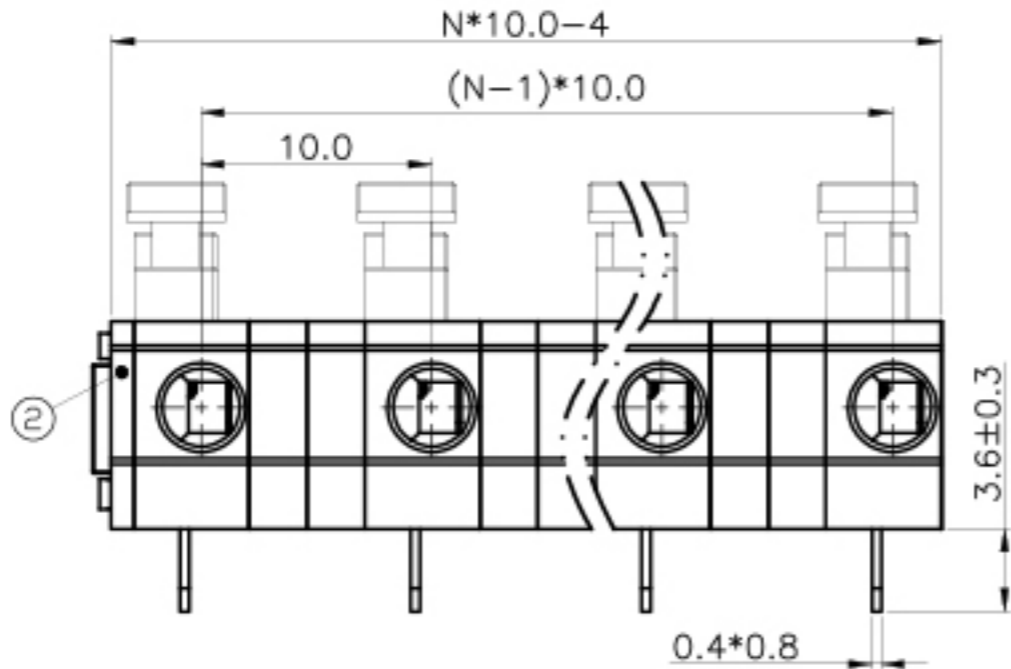
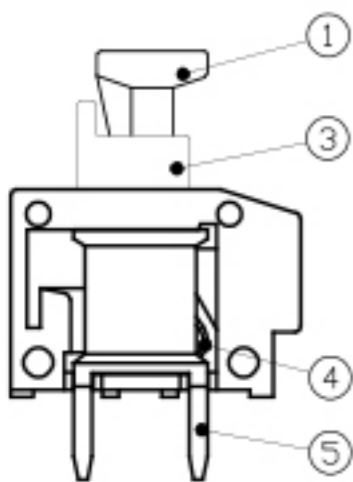
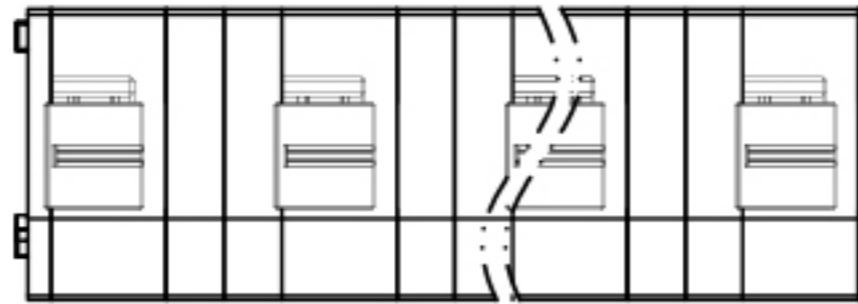
- RoHS compliance



Pitch range		Nominal dimension range						PROJECTION	TITLE
>0	>6	>10	>0	>30	>60	>100	0.1/10	KF124B-7.5-XXP-1X	
~6	~10	~24	~30	~60	~100	>150	UNIT mm		
±0.15	±0.20	±0.30	±0.30	±0.50	±0.70	±1.00	±1.30	SHEET SIZE A4	
DRAWING TYPE		CUSTOMER DRAWING						SERIES KF124	
SCALE		1:1		SHEET		1 OF 1			
DRAWING NO.		W11000252							

DF 慈溪市凯峰电子有限公司
CXI KAIFENG ELECTRONICS CO.,LTD

REV.	DESCRIPTION	DATE	DRAFTER	APPROVER
A1	DWG.REL	2020.05.27	DENG	JIN



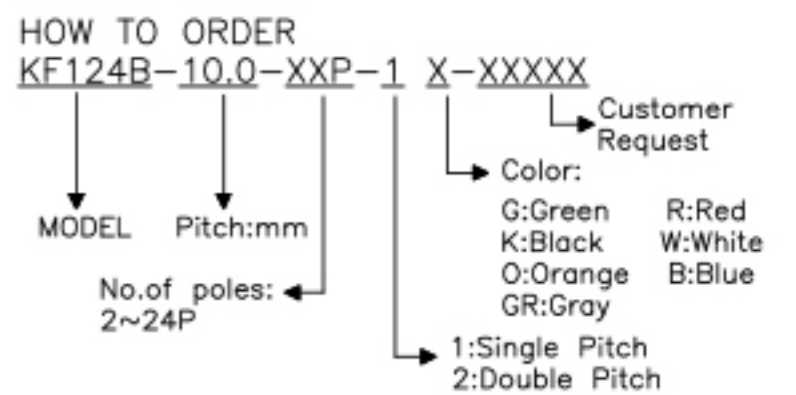
- Material
 - ①Button : PA66, UL94V-0
 - ②Cover : PA66, UL94V-0
 - ③Housing : PA66, UL94V-0
 - ④Reed : Stainless steel
 - ⑤Pin header : Copper alloy, Tin plated

- Electrical

	UL	IEC
Rated voltage :	300V	750V
Rated current :	5A	15A
Contact resistance :	20mΩ(Max)	
Insulation resistance:	500MΩ/DC500V	
Withstanding Voltage :	AC2000V/1min	
Wire range:	20-18AWG	1.5mm ²

- Mechanical
 - Operating temperature: -40℃~+105℃
 - Soldering temperature: 250℃±5/5sec
 - Strip length: 8-9mm

- RoHS compliance

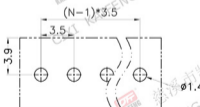
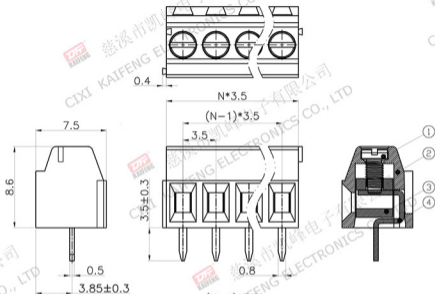


P.C.B.LAYOUT

Pitch range		Nominal dimension range						PROJECTION	TITLE
>0	>6	>10	>0	>30	>60	>100	0.1/10	KF124B-10.0-XXP-1X	
~6	~10	~24	~30	~60	~100	~150	<		
±0.15	±0.20	±0.30	±0.30	±0.50	±0.70	±1.00	±1.30	±2'	
DRAWING TYPE		CUSTOMER DRAWING							
SCALE		1:1		SHEET		1 OF 1			
DRAWING NO.		W11000262							

DF 慈溪市凯峰电子有限公司
CXI KAIFENG ELECTRONICS CO.,LTD

REV.	DESCRIPTION	DATE	DRAFTER	APPROVER
A1	DWG.REL	2020.05.15	DENG	JIN



- Material
 - ØScrews : M2.0 steel, Zinc plated,
 - slot type
 - ØHousing : PA66, UL94V-0
 - ØClamp : Copper alloy, Ni plated
 - ØPin header : Copper alloy, Tin plated

- Electrical
 - UL IEC
 - Rated voltage : 150V 130V
 - Rated current : 10A 10A
 - Contact Resistance: 20mΩ
 - Insulation resistance: 500MΩ/1000V
 - Withstanding Voltage : AC1500V/1min
 - Wire range: 24-16AWG 1.5mm²

- Mechanical
 - Operating temperature: -40℃~+105℃
 - Soldering temperature: 250℃±5/5sec
 - Torque: 0.2N.m (1.77Lb.in)
 - Strip length: 5-6mm

- RoHS compliance

HOW TO ORDER

KF124D-3.5-XXP-1 X-XXXX



Pitch range		Nominal dimension range		PROJECTION
>0	>6	>10	>0	>30
6	10	24	30	60
10	15	20	30	100
15	20	30	40	150
20	30	40	50	200
30	40	50	60	250
40	50	60	70	300
50	60	70	80	350
60	70	80	90	400
70	80	90	100	450
80	90	100	110	500
90	100	110	120	550
100	110	120	130	600
110	120	130	140	650
120	130	140	150	700
130	140	150	160	750
140	150	160	170	800
150	160	170	180	850
160	170	180	190	900
170	180	190	200	950
180	190	200	210	1000
190	200	210	220	1050
200	210	220	230	1100
210	220	230	240	1150
220	230	240	250	1200
230	240	250	260	1250
240	250	260	270	1300
250	260	270	280	1350
260	270	280	290	1400
270	280	290	300	1450
280	290	300	310	1500
290	300	310	320	1550
300	310	320	330	1600
310	320	330	340	1650
320	330	340	350	1700
330	340	350	360	1750
340	350	360	370	1800
350	360	370	380	1850
360	370	380	390	1900
370	380	390	400	1950
380	390	400	410	2000
390	400	410	420	2050
400	410	420	430	2100
410	420	430	440	2150
420	430	440	450	2200
430	440	450	460	2250
440	450	460	470	2300
450	460	470	480	2350
460	470	480	490	2400
470	480	490	500	2450
480	490	500	510	2500
490	500	510	520	2550
500	510	520	530	2600
510	520	530	540	2650
520	530	540	550	2700
530	540	550	560	2750
540	550	560	570	2800
550	560	570	580	2850
560	570	580	590	2900
570	580	590	600	2950
580	590	600	610	3000
590	600	610	620	3050
600	610	620	630	3100
610	620	630	640	3150
620	630	640	650	3200
630	640	650	660	3250
640	650	660	670	3300
650	660	670	680	3350
660	670	680	690	3400
670	680	690	700	3450
680	690	700	710	3500
690	700	710	720	3550
700	710	720	730	3600
710	720	730	740	3650
720	730	740	750	3700
730	740	750	760	3750
740	750	760	770	3800
750	760	770	780	3850
760	770	780	790	3900
770	780	790	800	3950
780	790	800	810	4000
790	800	810	820	4050
800	810	820	830	4100
810	820	830	840	4150
820	830	840	850	4200
830	840	850	860	4250
840	850	860	870	4300
850	860	870	880	4350
860	870	880	890	4400
870	880	890	900	4450
880	890	900	910	4500
890	900	910	920	4550
900	910	920	930	4600
910	920	930	940	4650
920	930	940	950	4700
930	940	950	960	4750
940	950	960	970	4800
950	960	970	980	4850
960	970	980	990	4900
970	980	990	1000	4950

PROJECTION

UNIT

mm

TITLE

KF124D-3.5-XXP-1X

SHEET SIZE

A4

SERIES

KF124D

CUSTOMER DRAWING

SCALE 1:1 SHEET 1 OF 1

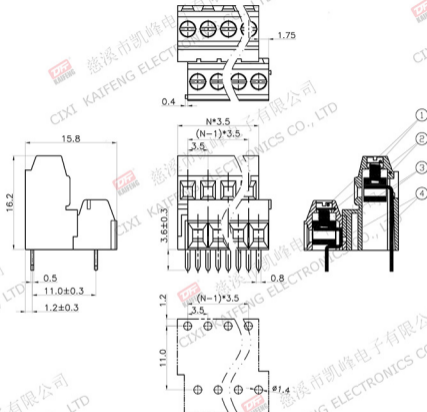
DRAWING NO. W15000392

DF

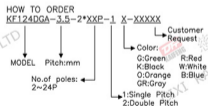
慈溪市凯峰电子有限公司

CIXI KAIFENG ELECTRONICS CO.,LTD

REV.	DESCRIPTION	DATE	DRAFTER	APPROVER
A1	DWG.REL	2020.05.15	DENG	JIN



- Material
 - ①Screws : M2.0 steel, Zinc plated,
 - *-* slot type
 - ②Housing : PA66, UL94V-0
 - ③Clamp : Copper alloy, Ni plated
 - ④Pin header : Copper alloy, Tin plated
- Electrical
 - UL IEC
 - Rated voltage : 150V 130V
 - Rated current : 10A 10A
 - Contact Resistance: 20mΩ
 - Insulation resistance: 500MΩ/DC500V
 - Withstanding Voltage : AC1500V/1min
 - Wire range : 24-16AWG 1.5mm²
- Mechanical
 - Operating temperature: -40℃ ~ +105℃
 - Soldering temperature: 250℃ ±5/5sec
 - Torque: 0.2N.m (1.77Lb.in)
 - Strip length: 5-6mm
- RoHS compliance

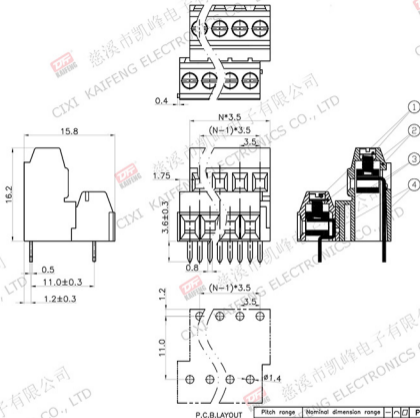


P.C.B.LAYOUT

Pitch range	Nominal dimension range	PROJECTION	UNIT	TITLE
>0	>0	0.1/10	mm	KF124DGA-3.5-2*XXP-1X
>6	>60	<	A4	SHEET SIZE
8	10			SERIES
10	24			
15	30			
20	30			
24	60			
30	100			
30	150			
±0.15	±0.30			
±0.30	±0.50			
±0.70	±1.00			
±1.30	±2			
DRAWING TYPE		CUSTOMER DRAWING		
SCALE		1:1 SHEET 1 OF 1		
DRAWING NO.		W15000412		

DF 慈溪市凯峰电子有限公司
 CIXI KAIFENG ELECTRONICS CO., LTD

REV.	DESCRIPTION	DATE	DRAWER	APPROVER
A1	DWG.REL	2020.05.19	DENG	JIN



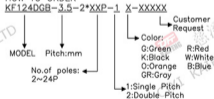
- Material
 - ∅Screws : M2.0 steel, Zinc plated,
 - *-* slot type
 - ∅Housing : PA66, UL94V-0
 - ∅Clamp : Copper alloy, Ni plated
 - ∅Pin header : Copper alloy, Tin plated

- Electrical
 - UL IEC
 - Rated voltage : 150V 130V
 - Rated current : 10A 10A
 - Contact Resistance : 20mΩ
 - Insulation resistance : 500MΩ/DC500V
 - Withstanding Voltage : AC1500V/1min
 - Wire range : 24~16AWG 1.5mm²

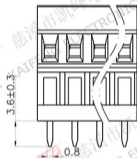
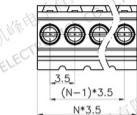
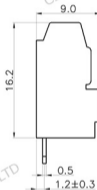
- Mechanical
 - Operating temperature : -40℃~+105℃
 - Soldering temperature : 250℃±5/5sec
 - Torque : 0.2N.m (1.77Lb.in)
 - Strip length : 5~6mm

- RoHS compliance

HOW TO ORDER



Pitch range	Nominal dimension range	PROJECTION	UNIT	TITLE
>0 ~6 6 10 24 30	>0 ~30 30 60 100 150	0.1/10 ≤	mm	KF124DGB-3.5-2*XXP-1X
∅1.0 ±0.10 ±0.20 ±0.30	±0.30 ±0.50 ±0.70 ±1.00 ±1.30	±2	SHEET SIZE	SERIES KF124DGA
DRAWING TYPE CUSTOMER DRAWING				慈溪市凯峰电子有限公司 CIXI KAIFENG ELECTRONICS CO., LTD
SCALE 1:1 SHEET 1 OF 1				
DRAWING NO. W15000432				



P.C.B. LAYOUT

Pitch range		Nominal dimension range				PROJECTION	UNIT	TITLE
>0	>6	>10	>0	>30	>60	>100	0.1/10	KF124G-3.5-XXP-1X
6	10	24	30	60	100	150	<	SHEET SIZE A4
±0.15	±0.20	±0.30	±0.30	±0.50	±0.70	±1.00	±1.30	±2
DRAWING TYPE		CUSTOMER DRAWING						
SCALE		1:1 SHEET 1 OF 1						
DRAWING NO.		W15000442						

REV.	DESCRIPTION	DATE	DRAFTER	APPROVER
A1	DWG.REL	2020.05.19	DENG	JIN

- Material
 - ØScrews : M2.0 steel, Zinc plated,
 - *- slot type
 - ØHousing : PA66, UL94V-0
 - ØClamp : Copper alloy, Ni plated
 - ØPin header : Copper alloy, Tin plated
- Electrical
 - UL IEC
 - Rated voltage : 300V 130V
 - Rated current : 10A 10A
 - Contact Resistance: 20mΩ
 - Insulation resistance: 500MΩ/1000V
 - Withstanding Voltage : AC1500V/1min
 - Wire range : 24-16AWG 1.5mm²
- Mechanical
 - Operating temperature: -40°C ~ +105°C
 - Soldering temperature: 250°C ±5/5sec
 - Torque: 0.2N.m (1.77Lb.in)
 - Strip length: 5-6mm
- RoHS compliance

HOW TO ORDER

KF124G-3.5-XXP-1 X-XXXXX



慈溪市凯峰电子有限公司
CIXI KAIFENG ELECTRONICS CO., LTD