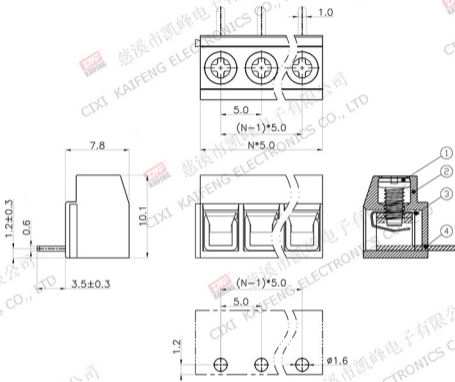


REV.	DESCRIPTION	DATE	DRAFTER	APPROVER
A1	DWG.REL	2020.05.16	DENG	JIN



P.C.B.LAYOUT

- Material
 - ØScrews : M2.5 steel, Zinc plated,
 - /+slot type
 - ØHousing : PA66, UL94V-0
 - ØReed : Copper alloy, Ni plated or stainless steel
 - ØPin header : Copper alloy, Tin plated

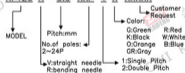
- Electrical
 - UL IEC
 - Rated voltage : 300V 250V
 - Rated current : 10A 18A
 - Contact resistance : 20mΩ(Max)
 - Insulation resistance : 500MΩ/DC500V
 - Withstanding Voltage : AC2000V/1min
 - Wire range : 20-14AWG 2.5mm²

- Mechanical
 - Operating temperature: -40℃~+105℃
 - Soldering temperature: 250℃±5/5sec
 - Torque: 0.4N.m (3.54Lb.in)
 - Strip length: 6-7mm

- RoHS compliance

HOW TO ORDER

KF126 R -5.0-XXP-1 X-XXXX

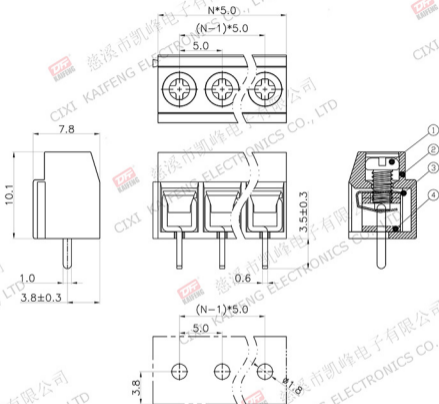


Pitch range	Nominal dimension range	PROJECTION	TITLE
>0	>0	6.1/10	KF126R-5.0-XXP-1X
>6	>60	≤	SHEET SIZE A4
>10	>100	±2	SERIES KF126
>20	>200		
>30	>300		
>40	>400		
>50	>500		
>60	>600		
>70	>700		
>80	>800		
>90	>900		
>100	>1000		
>110	>1100		
>120	>1200		
>130	>1300		
>140	>1400		
>150	>1500		
>160	>1600		
>170	>1700		
>180	>1800		
>190	>1900		
>200	>2000		
>210	>2100		
>220	>2200		
>230	>2300		
>240	>2400		
>250	>2500		
>260	>2600		
>270	>2700		
>280	>2800		
>290	>2900		
>300	>3000		
>310	>3100		
>320	>3200		
>330	>3300		
>340	>3400		
>350	>3500		
>360	>3600		
>370	>3700		
>380	>3800		
>390	>3900		
>400	>4000		
>410	>4100		
>420	>4200		
>430	>4300		
>440	>4400		
>450	>4500		
>460	>4600		
>470	>4700		
>480	>4800		
>490	>4900		
>500	>5000		
>510	>5100		
>520	>5200		
>530	>5300		
>540	>5400		
>550	>5500		
>560	>5600		
>570	>5700		
>580	>5800		
>590	>5900		
>600	>6000		
>610	>6100		
>620	>6200		
>630	>6300		
>640	>6400		
>650	>6500		
>660	>6600		
>670	>6700		
>680	>6800		
>690	>6900		
>700	>7000		
>710	>7100		
>720	>7200		
>730	>7300		
>740	>7400		
>750	>7500		
>760	>7600		
>770	>7700		
>780	>7800		
>790	>7900		
>800	>8000		
>810	>8100		
>820	>8200		
>830	>8300		
>840	>8400		
>850	>8500		
>860	>8600		
>870	>8700		
>880	>8800		
>890	>8900		
>900	>9000		
>910	>9100		
>920	>9200		
>930	>9300		
>940	>9400		
>950	>9500		
>960	>9600		
>970	>9700		
>980	>9800		
>990	>9900		
>1000	>10000		

DF

慈溪市凯峰电子有限公司
CIXI KAIFENG ELECTRONICS CO.,LTD

REV.	DESCRIPTION	DATE	DRAFTER	APPROVER
A1	DWG.REL	2020.05.16	DENG	JIN



- Material
 - ①Screws : M2.5 steel, Zinc plated, -/+slot type
 - ②Housing : PA66, UL94V-0
 - ③Reed : Copper alloy, Ni plated or stainless steel
 - ④Pin header : Copper alloy, Tin plated

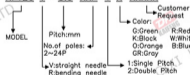
- Electrical
 - UL IEC
 - Rated voltage : 300V 250V
 - Rated current : 10A 18A
 - Contact resistance : 20mΩ(Max)
 - Insulation resistance: 500MG/DC500V
 - Withstanding Voltage : AC2000V/1min
 - Wire range : 20-14AWG 2.5mm²

- Mechanical
 - Operating temperature: -40℃~+105℃
 - Soldering temperature: 250℃±5/5sec
 - Torque : 0.4N.m (3.54Lb.in)
 - Strip length: 6-7mm

- RoHS compliance

HOW TO ORDER

KF126 V -5.0-XXP-1 X-XXXXX



P.C.B. LAYOUT

Pitch range	Nominal dimension range	PROJECTION	TITLE
>0	>0	6.1/10	KF126V-5.0-XXP-1X
≤0	≤0	≤	SHEET SIZE
±0.15	±0.30	±0.30	A4
±0.10	±0.20	±0.20	SERIES
±0.05	±0.10	±0.10	KF126
±0.02	±0.05	±0.05	
±0.01	±0.02	±0.02	
DRAWING NO.	W15000022		



慈溪市凯峰电子有限公司
CIXI KAIFENG ELECTRONICS CO.,LTD