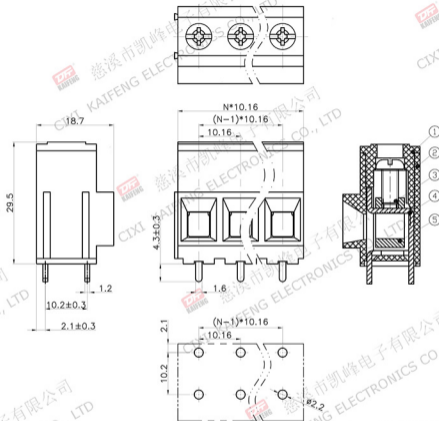


REV.	DESCRIPTION	DATE	DRAFTER	APPROVER
AT	DWG.REL	2020.05.22	DENG	JIN



- Material
 - ØCover : PBT, UL94V-0
 - ØHousing : PBT, UL94V-0
 - ØScrews : M4.0 steel, Zinc plated, -/+ slot type
 - ØPin header : Copper alloy, Tin plated
 - ØClamp : Copper alloy, Ni plated
- Electrical
 - UL IEC
 - Rated voltage : 300V 1000V
 - Rated current : 65A 65A
 - Contact Resistance : 20mΩ
 - Insulation resistance : 500MΩ/DC500V
 - Withstanding Voltage : AC3000V/1min
 - Wire range : 20-6AWG 16.0mm²
- Mechanical
 - Operating temperature: -40°C ~ +105°C
 - Soldering temperature: 250°C ± 5/5sec
 - Torque : 1.2N.m (10.53Lb.in)
 - Strip length: 10mm
- RoHS compliance

HOW TO ORDER

KF135-10.16-XXP-1 X-XXXX



P.C.B.LAYOUT

Pitch range	Nominal dimension range	PROJECTION	UNIT	TITLE
>0	>0	0.1/10	mm	KF135-10.16-XXP-1X
>6	>60	<	SHEET SIZE	A4
>10	>100		SERIES	KF135
±0.15	±0.30			
±0.20	±0.30			
±0.30	±0.50			
±0.50	±0.70			
±1.00	±1.30			
±2				
DRAWING TYPE		CUSTOMER DRAWING		
SCALE		1:1 SHEET 1 OF 1		
DRAWING NO.		W15000742		

DF 慈溪市凯峰电子有限公司
CIXI KAIFENG ELECTRONICS CO., LTD