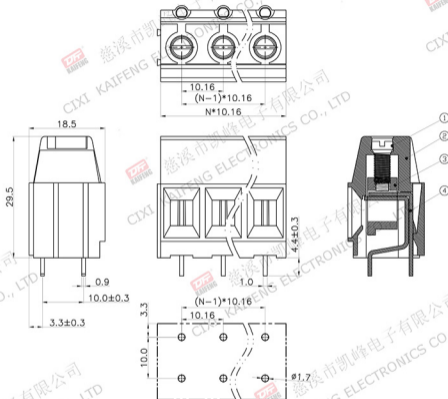


REV.	DESCRIPTION	DATE	DRAFTER	APPROVER
A1	DWG.REL	2020.05.22	DENG	JIN



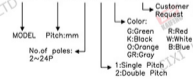
- Material
 - ØScrews : M4.0 steel, Zinc plated, *-slot type
 - ØHousing : PA66, UL94V-0
 - ØClamp : Copper alloy, Ni plated
 - ØPin header : Copper alloy, Tin plated

- Electrical
 - UL IEC
 - Rated voltage : 300V 1000V
 - Rated current : 65A 65A
 - Contact Resistance: 20mΩ
 - Insulation resistance: 500MΩ/DC500V
 - Withstanding Voltage : AC3000V/1min
 - Wire range: 20-6AWG 16.0mm²

- Mechanical
 - Operating temperature: -40°C ~ +105°C
 - Soldering temperature: 250°C ±5/5sec
 - Torque: 1.2N.m (10.53Lb.in)
 - Strip length: 10mm

• RoHS compliance

HOW TO ORDER
KF136-10.16-XXP-1 X-XXXX



P.C.B. LAYOUT

Pitch range		Nominal dimension range		PROJECTION	UNIT	TITLE			
>0	>6	>10	>0	>30	>60	>100	6.1/10	mm	KF136-10.16-XXP-1X
6	10	24	30	60	100	150	<	SHEET SIZE	A4
±0.15/±0.20		±0.30/±0.30		±0.50/±0.50		±0.70/±1.00		±1.30 ±2	
DRAWING TYPE		CUSTOMER DRAWING							
SCALE		1:1 SHEET 1 OF 1							
DRAWING NO.		W15000752							

DF 慈溪市凯峰电子有限公司
CIXI KAIFENG ELECTRONICS CO.,LTD

