

REV.	DESCRIPTION	DATE	DRAFTER	APPROVER
A1	DWG.REL	2020.05.27	DENG	JIN

- Material
 - ØButton : PA66, UL94V-0
 - ØCover : PA66, UL94V-0
 - ØHousing : PA66, UL94V-0
 - ØReed : Stainless steel
 - ØPin header :Copper alloy, Tin plated

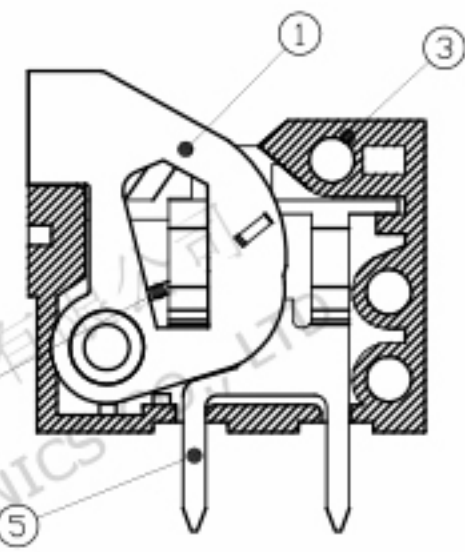
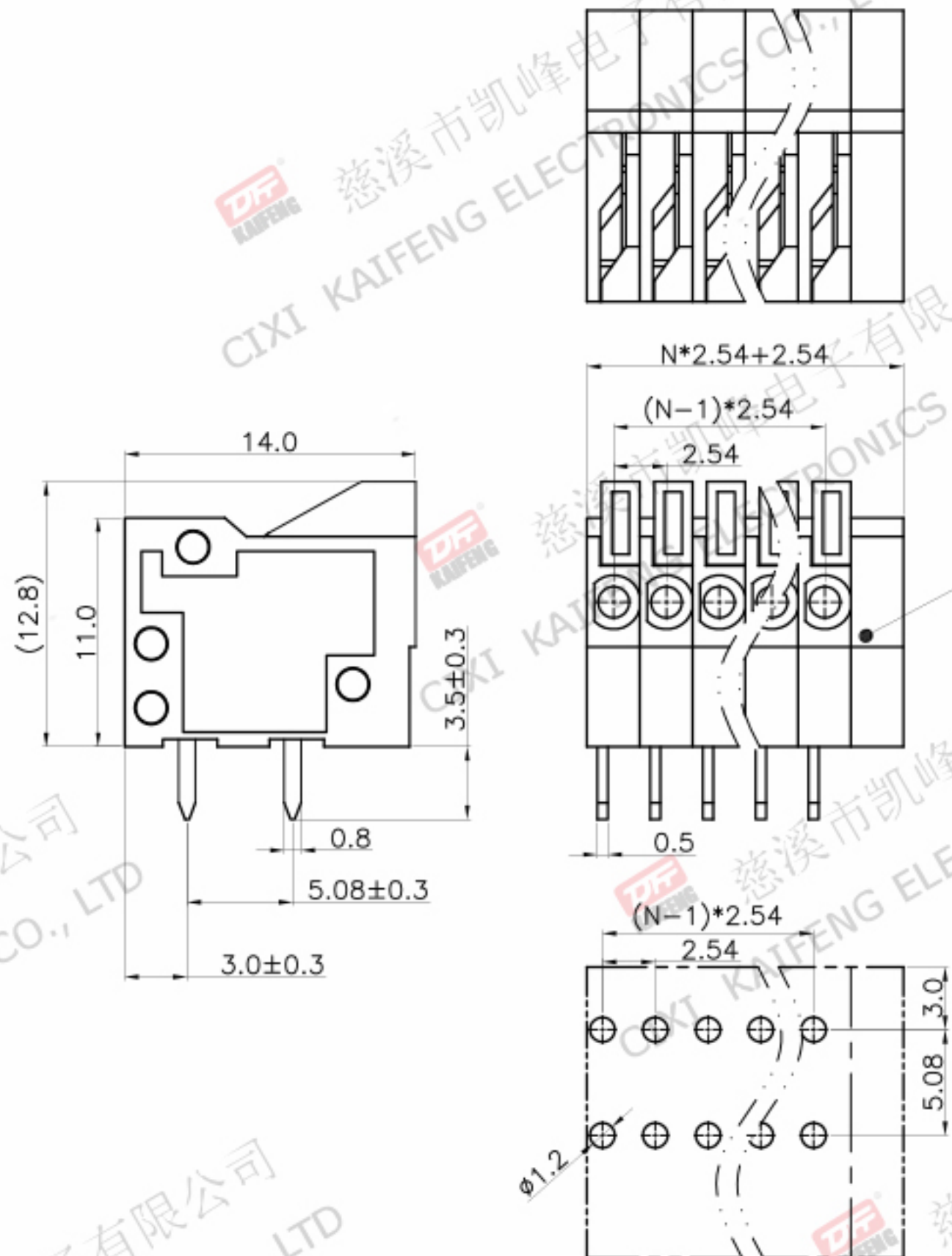
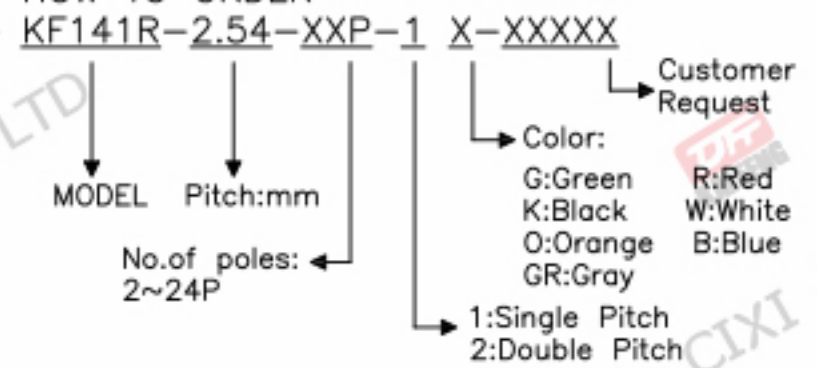
- Electrical

UL	IEC
Rated voltage : 150V	130V
Rated current : 5A	6A
Contact resistance : 20mΩ(Max)	
Insulation resistance: 500MΩ/DC500V	
Withstanding Voltage : AC1250V/1min	
Wire range: 24-18AWG 1.0mm ²	

- Mechanical
 - Operating temperature: -40°C ~ +105°C
 - Soldering temperature: 250°C ± 5 / 5sec
 - Strip length: 11mm

• RoHS compliance

HOW TO ORDER

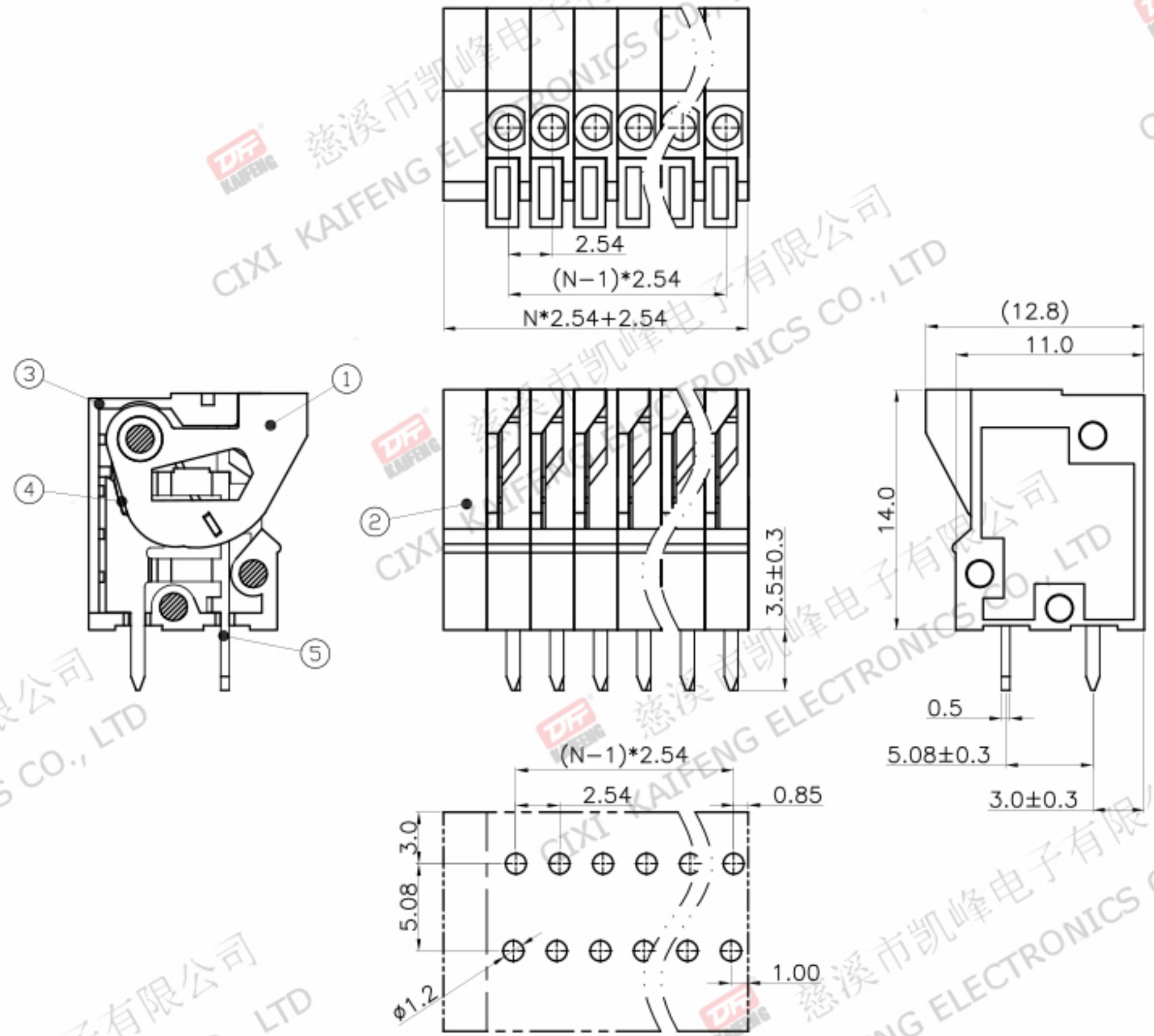


P.C.B.LAYOUT

Pitch range	Nominal dimension range							PROJECTION	TITLE	
>0	>6	>10	>0	>30	>60	>100	>150	UNIT	KF141R-2.54-XXP-1X	
~6	~10	~24	~30	~60	~100	~150	>150	SHEET SIZE	A4	
±0.15	±0.20	±0.30	±0.30	±0.50	±0.70	±1.00	±1.30	±2'	SERIES	KF141
DRAWING TYPE		CUSTOMER DRAWING								
SCALE		1:1		SHEET		1 OF 1				
DRAWING NO.		W15000212								

DF 慈溪市凯峰电子有限公司
CIXI KAIFENG ELECTRONICS CO.,LTD

REV.	DESCRIPTION	DATE	DRAFTER	APPROVER
A1	DWG.REL	2020.05.27	DENG	JIN



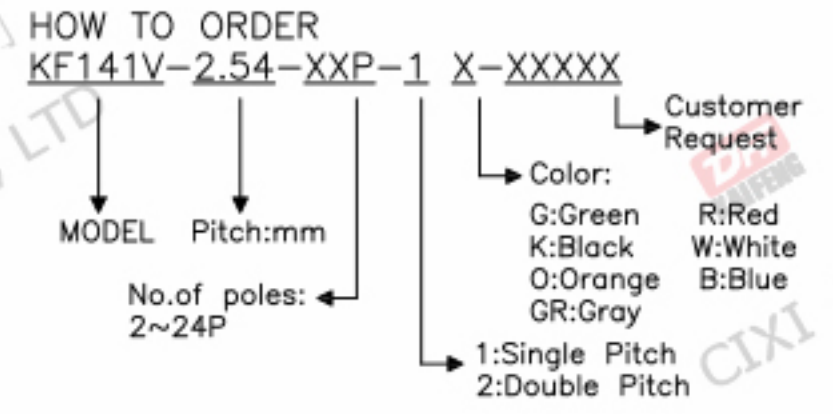
- Material
 - ① Button : PA66, UL94V-0
 - ② Cover : PA66, UL94V-0
 - ③ Housing : PA66, UL94V-0
 - ④ Reed : Stainless steel
 - ⑤ Pin header : Copper alloy, Tin plated

- Electrical

UL	IEC
Rated voltage : 150V	130V
Rated current : 5A	6A
Contact resistance : 20mΩ(Max)	
Insulation resistance: 500MΩ/DC500V	
Withstanding Voltage : AC1250V/1min	
Wire range: 24-18AWG	1.0mm ²

- Mechanical
 - Operating temperature: $-40^{\circ}\text{C} \sim +105^{\circ}\text{C}$
 - Soldering temperature: $250^{\circ}\text{C} \pm 5/5\text{sec}$
 - Strip length: 11mm

• RoHS compliance



P.C.B.LAYOUT

Pitch range	Nominal dimension range							PROJECTION	TITLE
>0	>6	>10	>0	>30	>60	>100	>150	UNIT	mm
~6	~10	~24	~30	~60	~100	~150	>150	SHEET SIZE	A4
±0.15	±0.20	±0.30	±0.30	±0.50	±0.70	±1.00	±1.30	±2'	
DRAWING TYPE		CUSTOMER DRAWING							
SCALE		1:1		SHEET		1 OF 1			
DRAWING NO.		W15000202							

PROJECTION		TITLE	KF141V-2.54-XXP-1X
SHEET SIZE	A4	SERIES	KF141

DF 慈溪市凯峰电子有限公司
 CIXI KAIFENG ELECTRONICS CO.,LTD