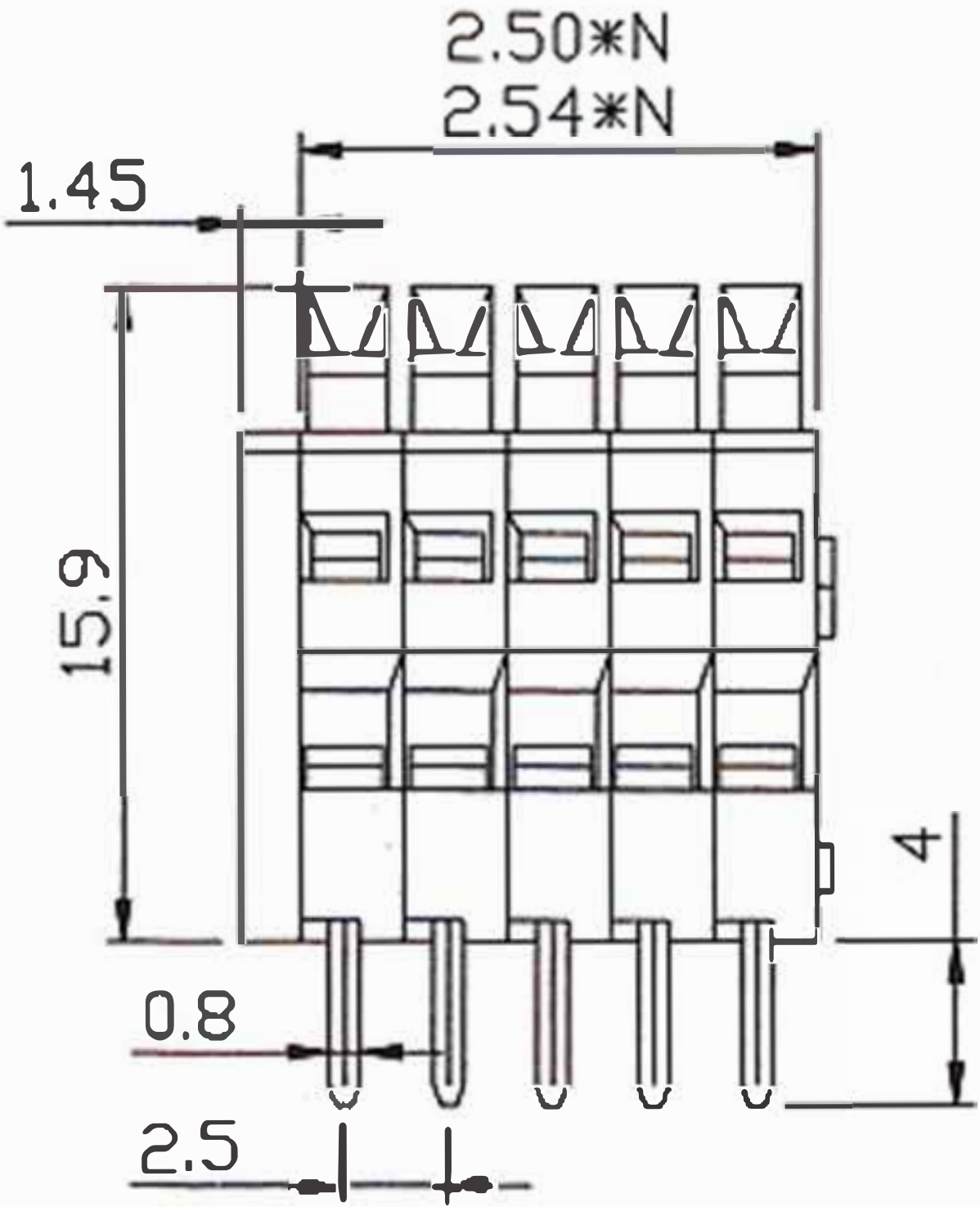
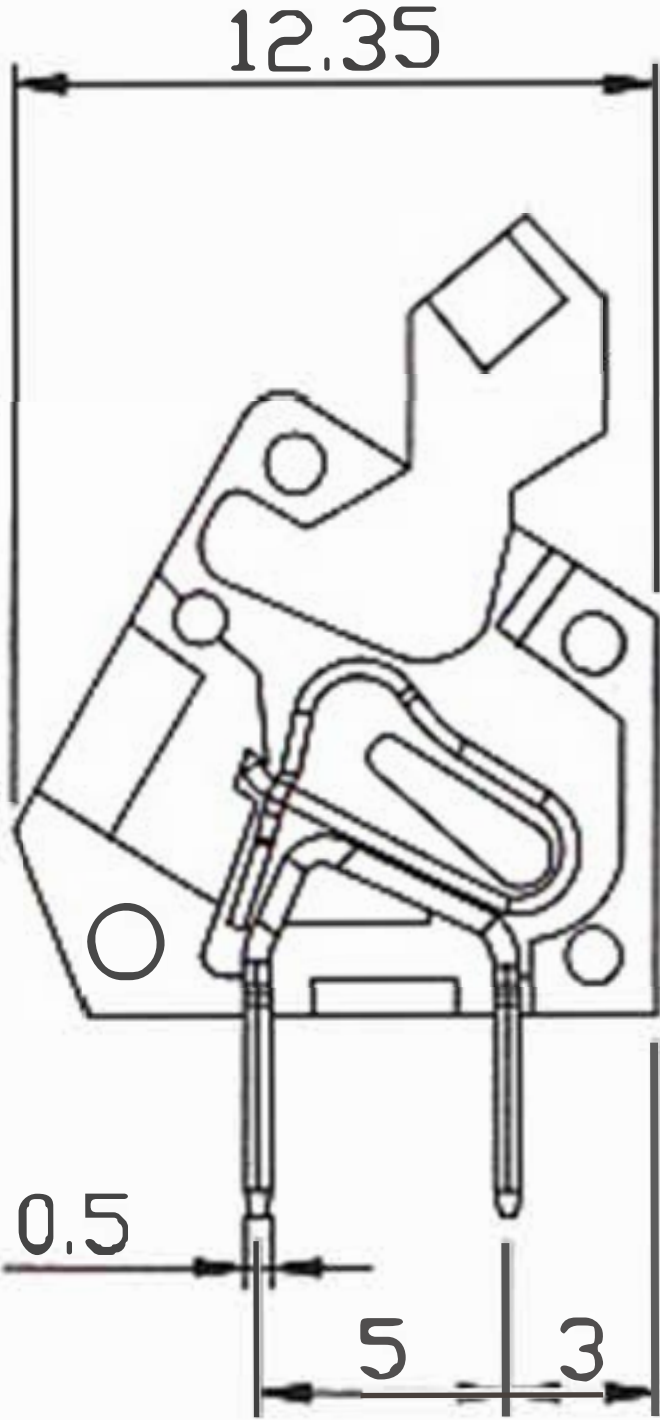


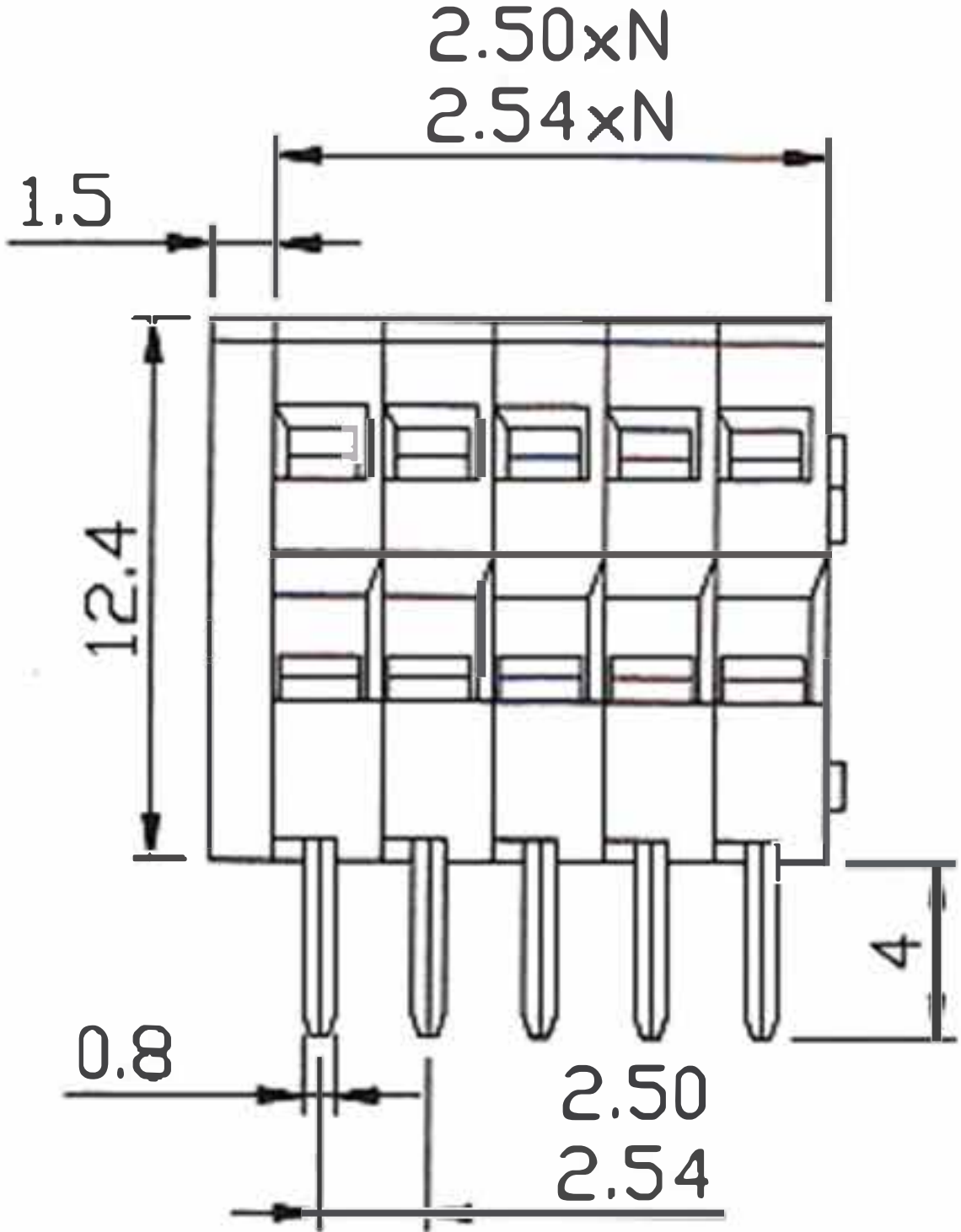
PCB Terminal Block KF187-2.50mm



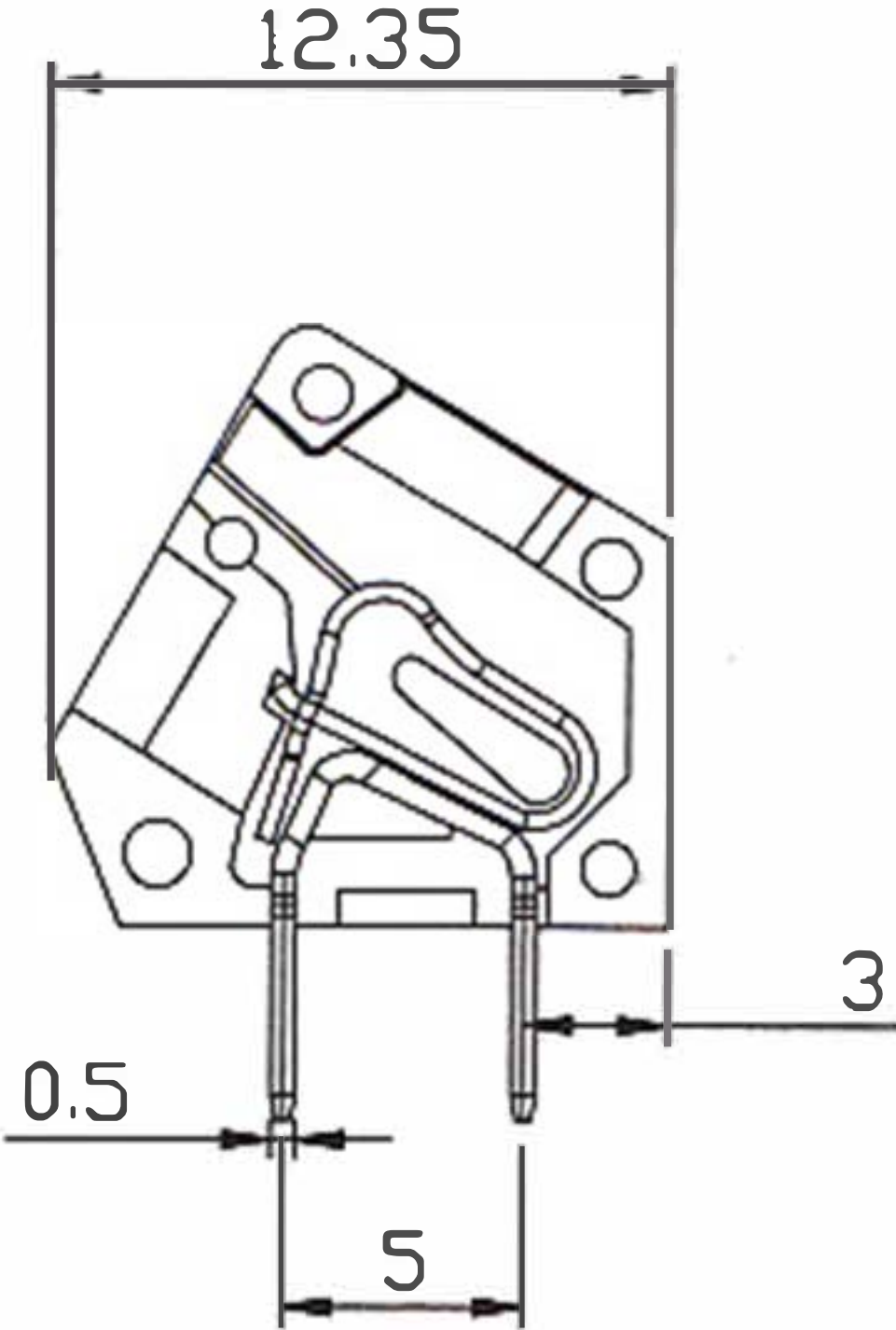
N=Number of contacts



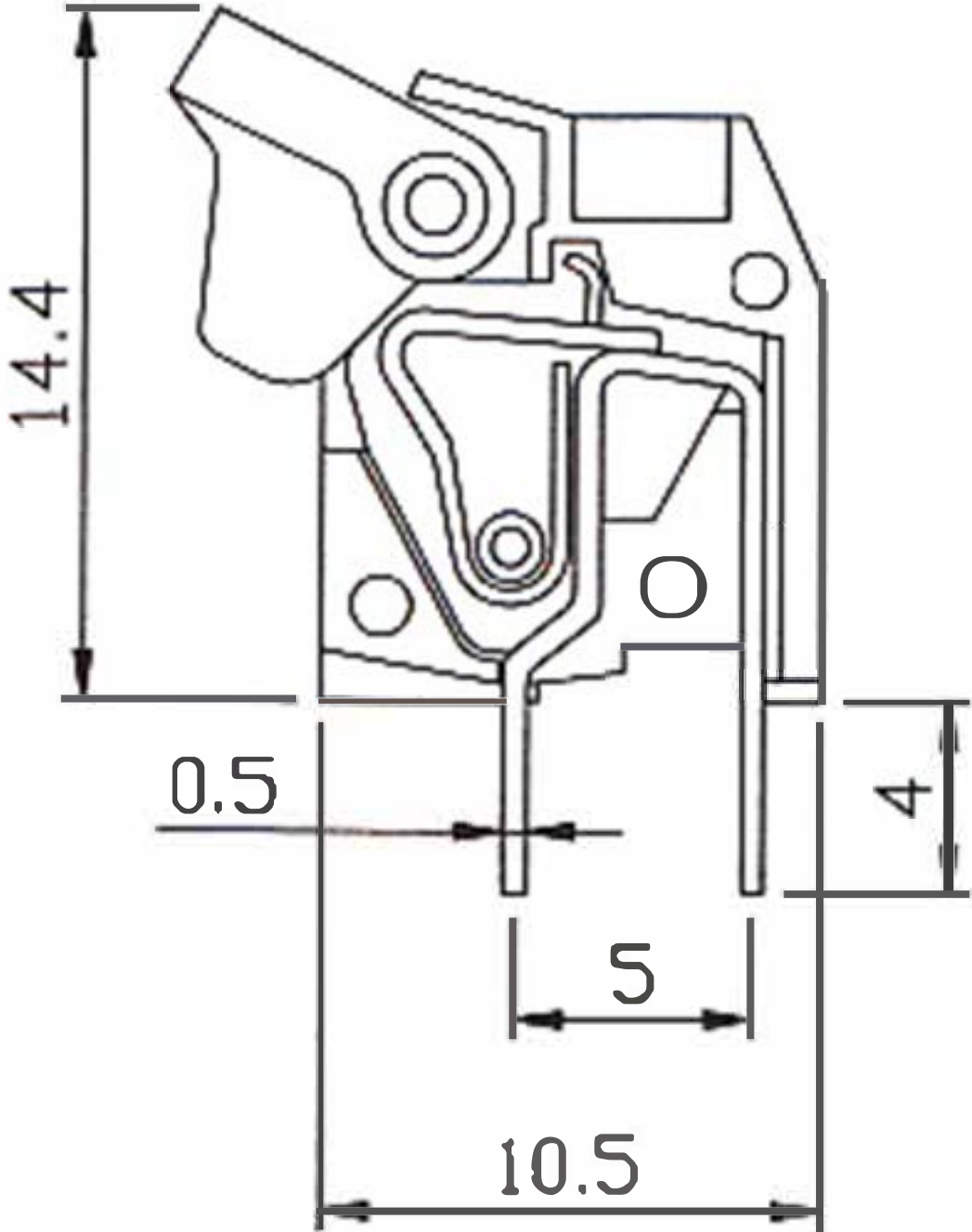
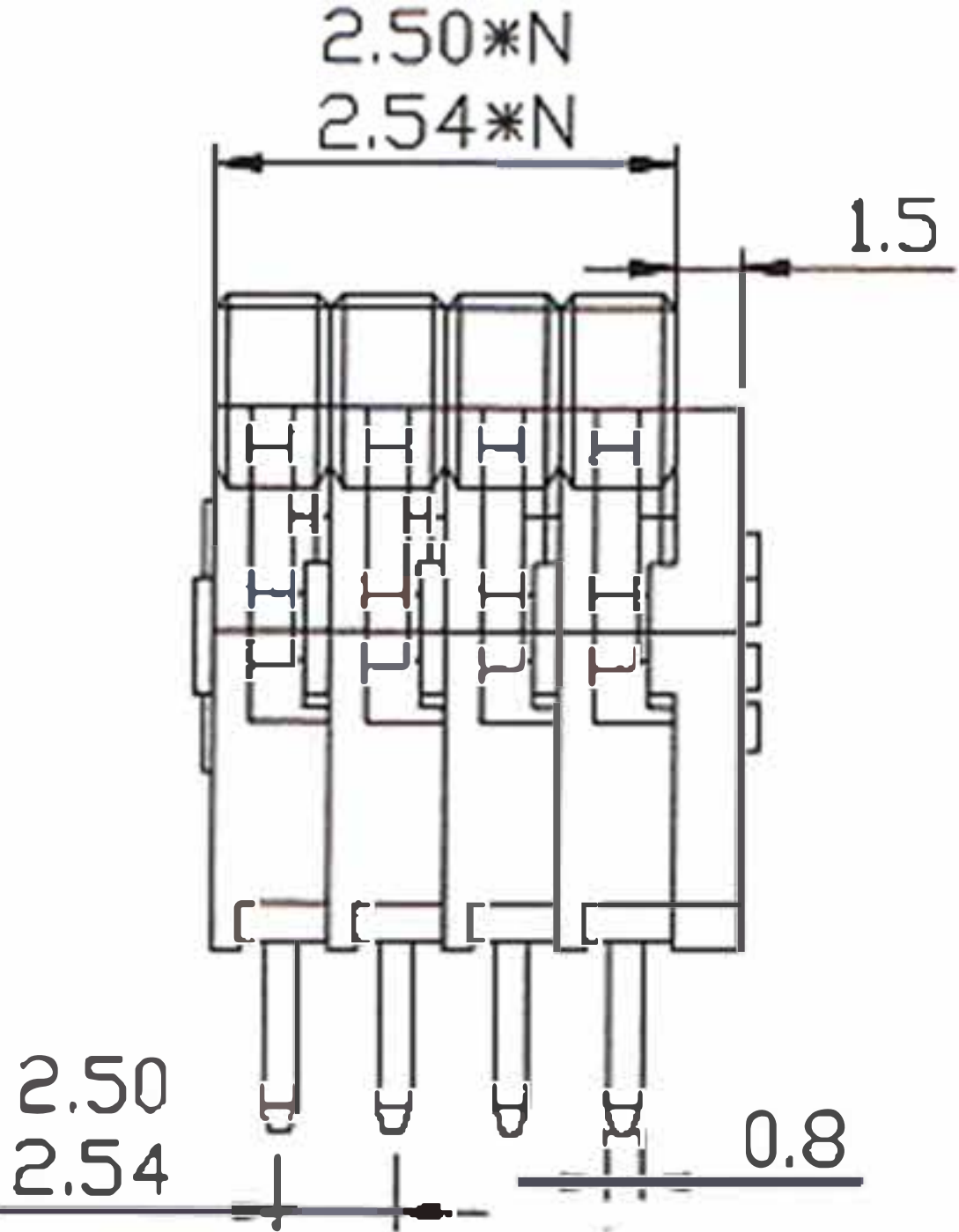
PCB Terminal Block KF187A-2.50mm



N=Number of contacts



PCB Terminal Block KF187B-2.50mm



N=Number of contacts