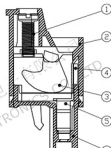
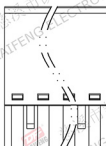
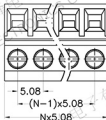
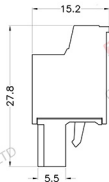


| REV. | DESCRIPTION | DATE | DRAFTER | APPROVER |
|------|-------------|-----------|---------|----------|
| A1 | DWG.REL | 2020.6.02 | ZHANG | JIN |



- Material
 - ①Screw:M2.5 steel, Zinc plated, "-" slot type
 - ②Housing : PA66, UL94V-0
 - ③Hardware 1: Steel, Zinc plated
 - ④Hardware 1: Steel, Zinc plated
 - ⑤Contact : Copper alloy,Tin plated
 - ⑥Cover : PA66, UL94V-0

- Electrical
 - UL IEC
 - Rated voltage : 300V 320V
 - Rated current : 15A 20A
 - Contact resistance : 20mΩ(Max)
 - Insulation resistance: 500MΩ/DC500V
 - Withstanding Voltage : AC2000V/1min
 - Wire range : 28-14AWG 2.5mm²

- Mechanical
 - Operating temperature:-40℃~+105℃
 - Soldering temperature:250℃±5/5sec
 - Torque : 0.4N.m (3.54Lb.in)
 - Strip length: 7-8mm

- RoHS compliance

HOW TO ORDER

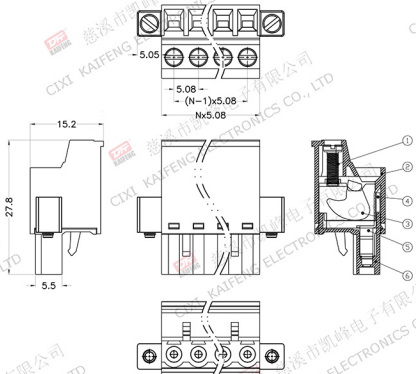
KF203-5.08-XXP-1 X-XXXXX



| Pitch range | | Nominal dimension range | | | | PROJECTION | UNIT | TITLE |
|--------------|-------|-------------------------|-------|-------|-------|------------|--------|-------------------|
| >0 | >6 | >10 | >0 | >30 | >60 | >100 | 6.1/10 | KF203-5.08-XXP-1X |
| 6 | 10 | 24 | 30 | 60 | 100 | 150 | < | SHEET SIZE A4 |
| ±0.15 | ±0.20 | ±0.30 | ±0.30 | ±0.50 | ±0.70 | ±1.00 | ±2 | SERIES KF203 |
| DRAWING TYPE | | CUSTOMER DRAWING | | | | | | |
| SCALE | | 1:1 SHEET 1 OF 1 | | | | | | |
| DRAWING NO. | | W10001552 | | | | | | |

DF 慈溪市凯峰电子有限公司
CIXI KAIFENG ELECTRONICS CO.,LTD

| REV. | DESCRIPTION | DATE | DRAFTER | APPROVER |
|------|-------------|-----------|---------|----------|
| A1 | DWG.REL | 2020.6.02 | ZHANG | JIN |



- Material
 - ①Screw:M2.5 steel, Zinc plated, "—" slot type
 - ②Housing : PA66, UL94V-0
 - ③Hardware 1: Steel, Zinc plated
 - ④Hardware 1: Steel, Zinc plated
 - ⑤Contact : Copper alloy,Tin plated
 - ⑥Cover : PA66, UL94V-0

- Electrical
 - UL IEC
 - Rated voltage : 300V 320V
 - Rated current : 15A 20A
 - Contact resistance : 20mΩ(Max)
 - Insulation resistance: 500MΩ/DC500V
 - Withstanding Voltage : AC2000V/1min
 - Wire range : 28-14AWG 2.5mm²

- Mechanical
 - Operating temperature: -40℃ ~ +105℃
 - Soldering temperature: 250℃ ±5/5sec
 - Torque : 0.4N.m (3.54Lb.in)
 - Strip length: 7-8mm

• RoHS compliance

HOW TO ORDER



| Pitch range | Nominal dimension range | PROJECTION | TITLE | |
|-------------------------------|-------------------------|---|--------------------|--------------|
| >0 | >0 | 6.1/10 | KF203M-5.08-XXP-1X | |
| 6 | 60 | < | SHEET SIZE A4 | |
| ±0.15 | ±0.30 | ±1.50 | SERIES KF203M | |
| DRAWING TYPE CUSTOMER DRAWING | | 慈溪市凯峰电子有限公司 CIXI KAIFENG ELECTRONICS CO.,LTD | | |
| SCALE | 1:1 | | | SHEET 1 OF 1 |
| DRAWING NO. | W10001562 | | | |