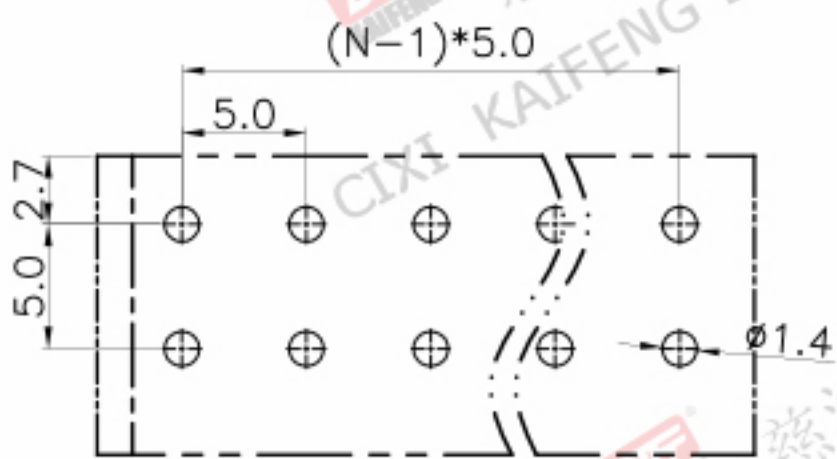
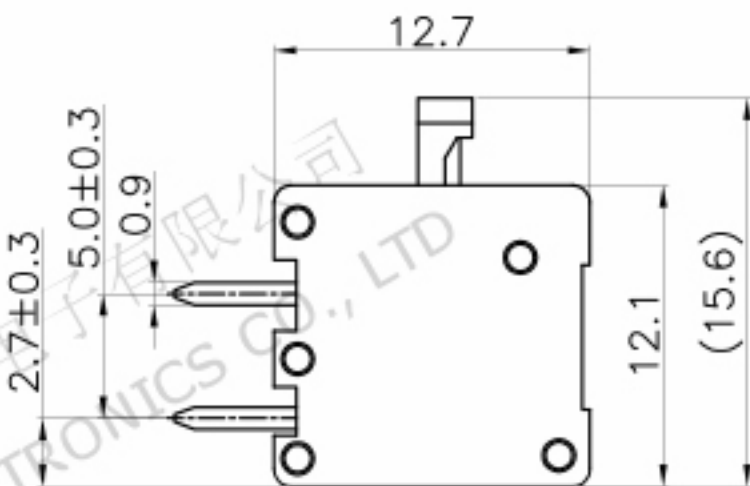
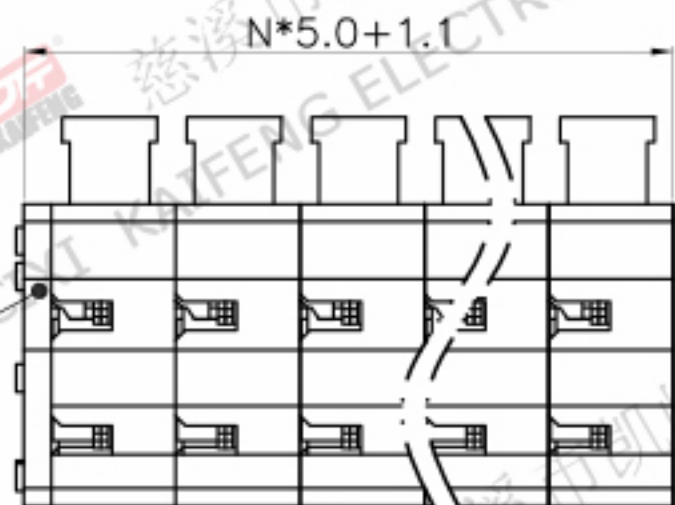
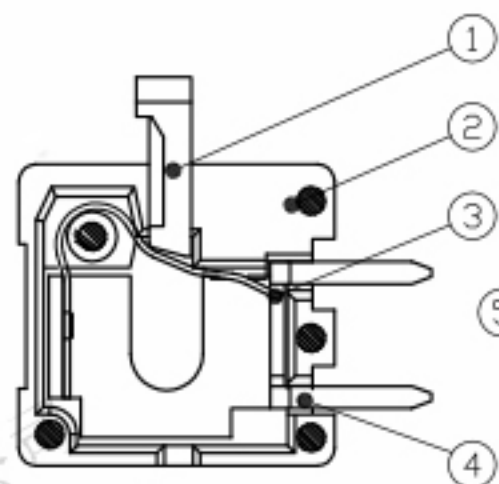
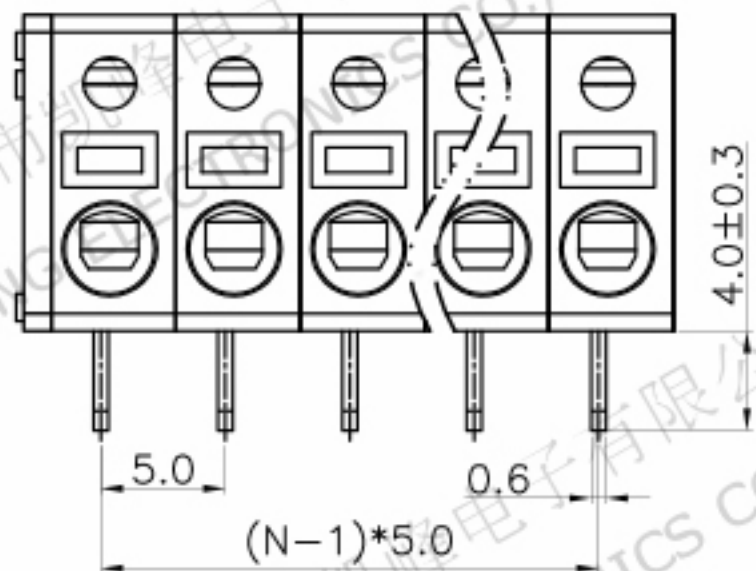


REV.	DESCRIPTION	DATE	DRAFTER	APPROVER
A1	DWG.REL	2020.05.25	DENG	JIN

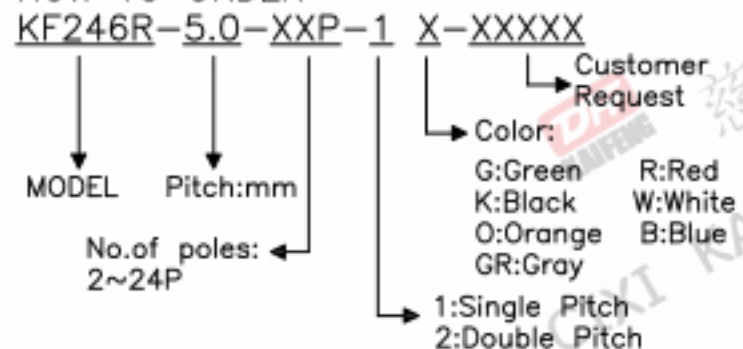


P.C.B.LAYOUT

- Material
 - ØButton : PA66, UL94V-0
 - ØCover : PA66, UL94V-0
 - ØHousing : PA66, UL94V-0
 - ØReed : Stainless steel
 - ØPin header :Copper alloy, Tin plated
- Electrical

	UL	IEC
Rated voltage :	300V	250V
Rated current :	8A	10A
Contact resistance :	20mΩ(Max)	
Insulation resistance:	500MΩ/DC500V	
Withstanding Voltage :	AC2000V/1min	
Wire range:	24-16AWG	1.5mm ²
- Mechanical
 - Operating temperature:-40℃~+105℃
 - Soldering temperature:250℃±5/5sec
 - Strip length: 8-9mm
- RoHS compliance

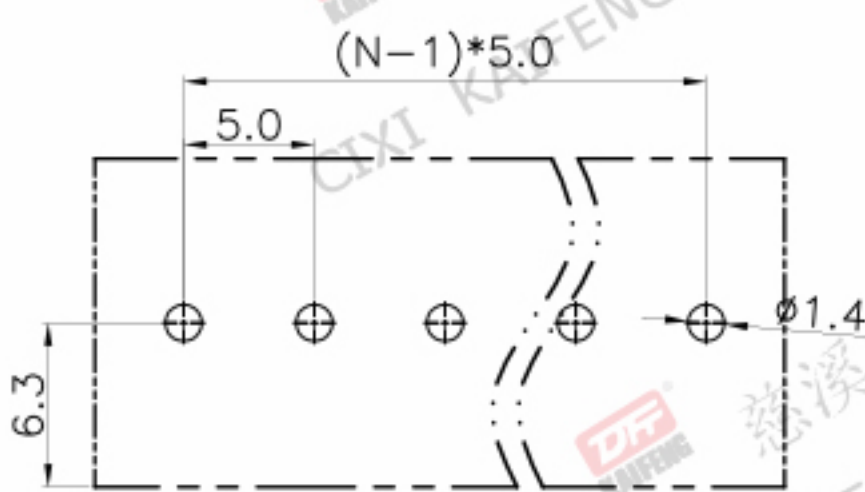
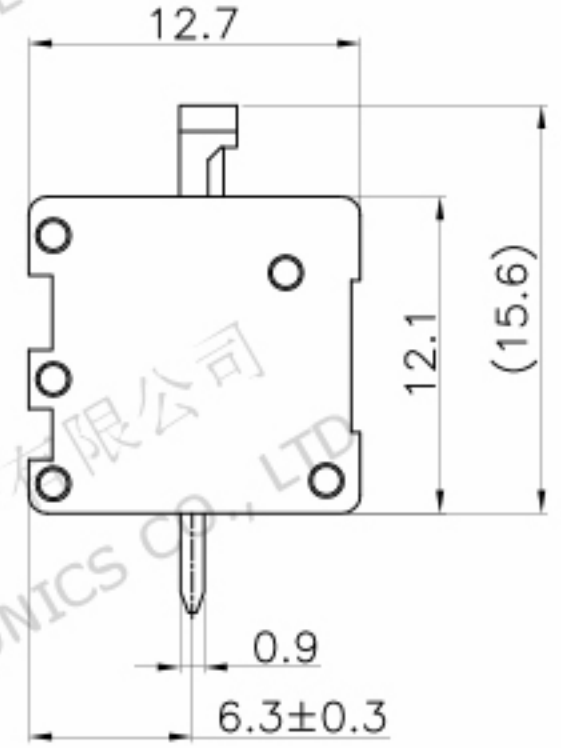
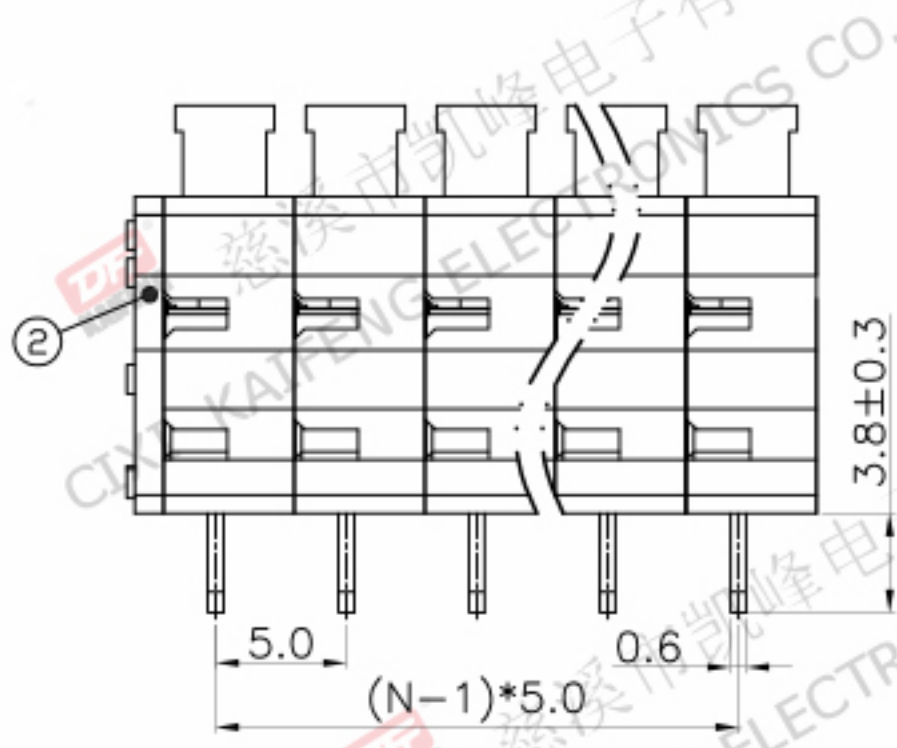
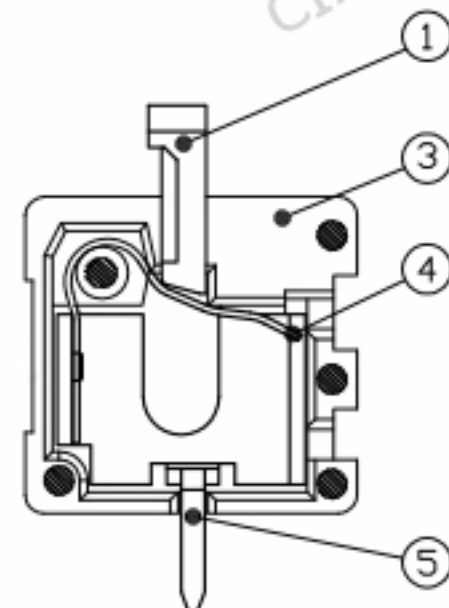
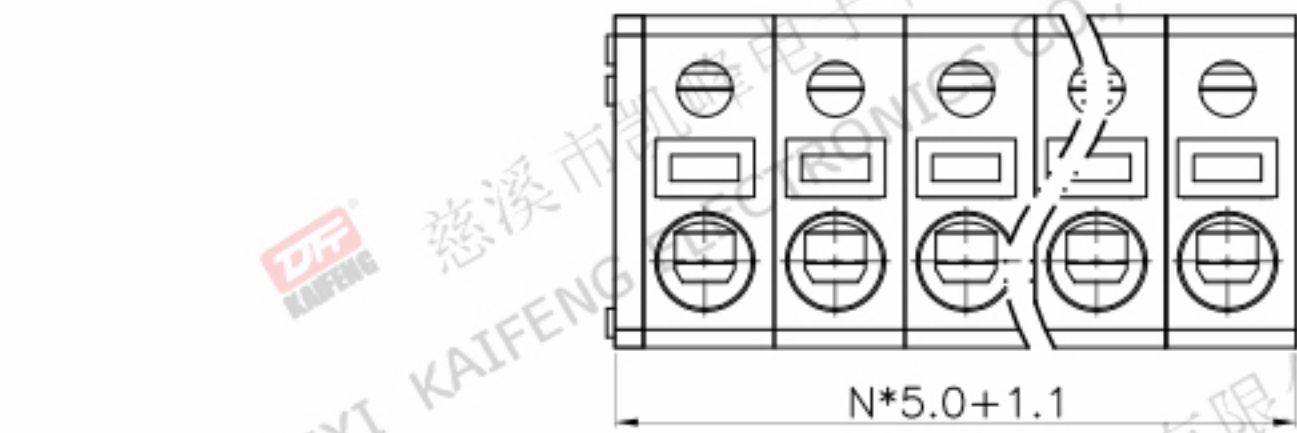
HOW TO ORDER



Pitch range	Nominal dimension range							PROJECTION	TITLE
>0	>6	>10	>0	>30	>60	>100	>150	0.1/10	KF246R-5.0-XXP-1X
~6	~10	~24	~30	~60	~100	~150	>150	<	SHEET SIZE A4
±0.15	±0.20	±0.30	±0.30	±0.50	±0.70	±1.00	±1.30	±2'	SERIES KF246
DRAWING TYPE		CUSTOMER DRAWING							
SCALE		1:1		SHEET		1 OF 1			
DRAWING NO.		W11000092							

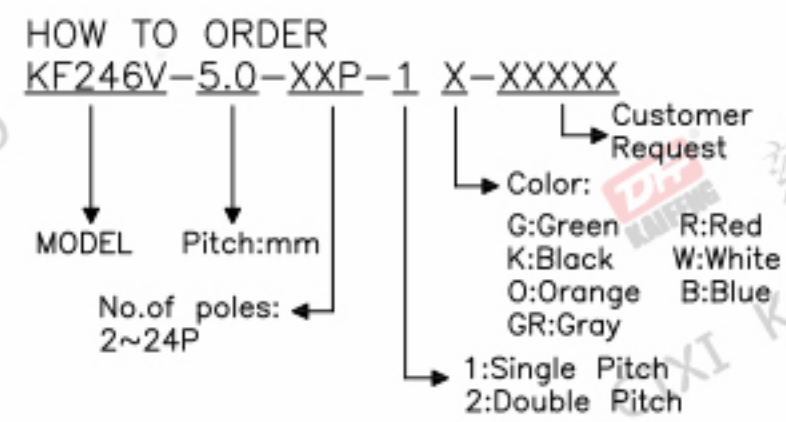
DF 慈溪市凯峰电子有限公司
CIXI KAIFENG ELECTRONICS CO.,LTD

REV.	DESCRIPTION	DATE	DRAFTER	APPROVER
A1	DWG.REL	2020.05.25	DENG	JIN



- Material
 - ØButton : PA66, UL94V-0
 - ØCover : PA66, UL94V-0
 - ØHousing : PA66, UL94V-0
 - ØReed : Stainless steel
 - ØPin header : Copper alloy, Tin plated
- Electrical

	UL	IEC
Rated voltage :	300V	250V
Rated current :	8A	10A
Contact resistance :	20mΩ(Max)	
Insulation resistance:	500MΩ/DC500V	
Withstanding Voltage :	AC2000V/1min	
Wire range:	24-16AWG	1.5mm ²
- Mechanical
 - Operating temperature: -40°C ~ +105°C
 - Soldering temperature: 250°C ± 5 / 5sec
 - Strip length: 8-9mm
- RoHS compliance



Pitch range	Nominal dimension range							PROJECTION	TITLE
>0	>6	>10	>0	>30	>60	>100	>150	UNIT	mm
~6	~10	~24	~30	~60	~100	~150	>150	SHEET SIZE	A4
±0.15	±0.20	±0.30	±0.30	±0.50	±0.70	±1.00	±1.30	DRAWING TYPE	CUSTOMER DRAWING
SCALE		1:1		SHEET		1 OF 1		DRAWING NO.	
								W11000082	

慈溪市凯峰电子有限公司
CIXI KAIFENG ELECTRONICS CO.,LTD

KF246V-5.0-XXP-1X
SERIES KF246