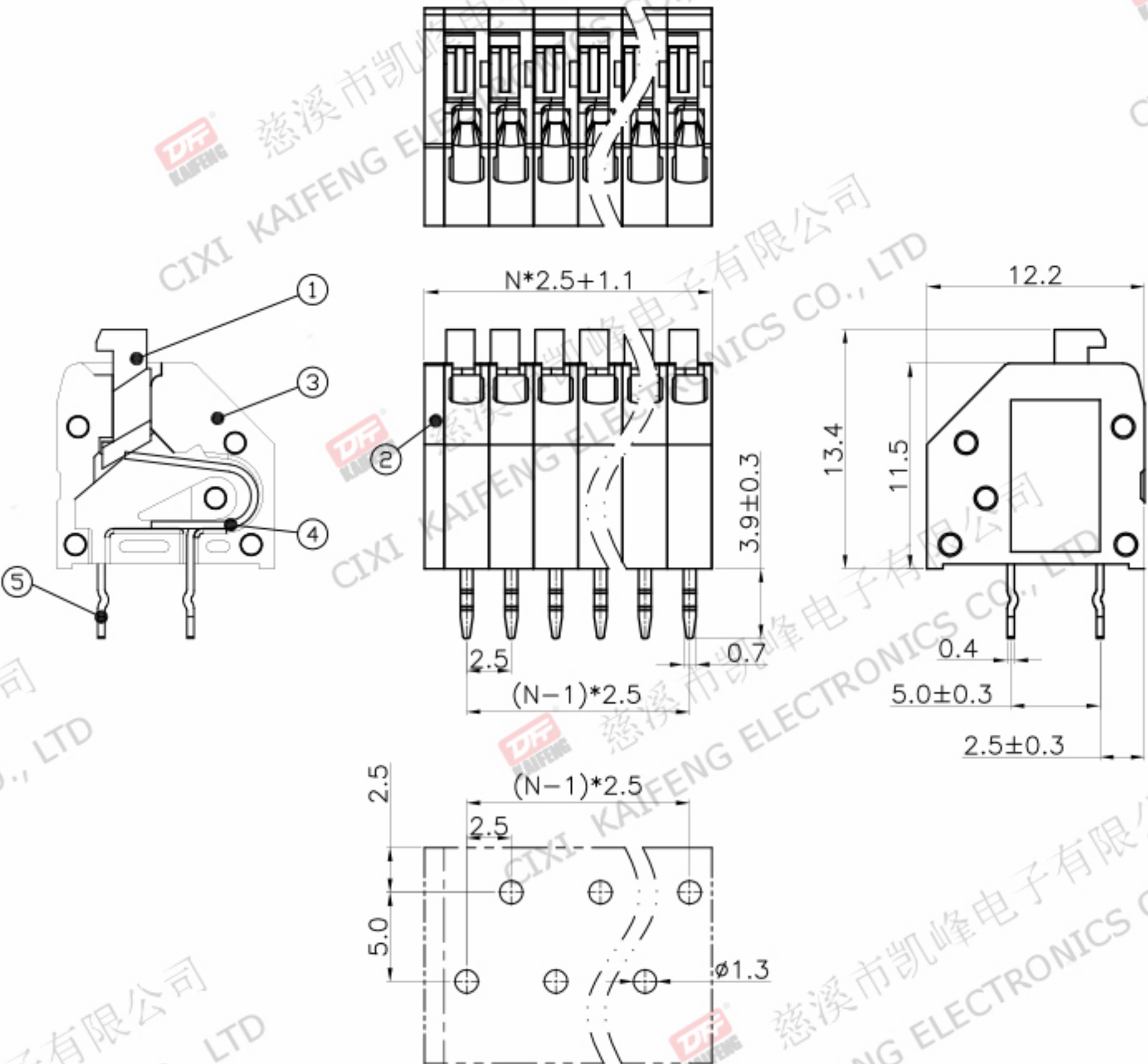


REV.	DESCRIPTION	DATE	DRAFTER	APPROVER
A1	DWG.REL	2020.05.28	DENG	JIN



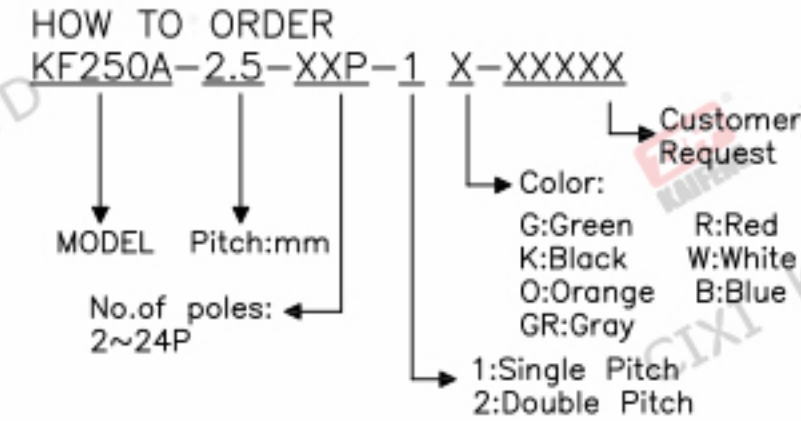
- Material
  - ① Button : PA66, UL94V-0
  - ② Cover : PA66, UL94V-0
  - ③ Housing : PA66, UL94V-0
  - ④ Pin header A: Copper alloy, Tin plated
  - ⑤ Pin header B: Copper alloy, Tin plated

- Electrical
 

	UL	IEC
Rated voltage :	300V	250V
Rated current :	7A	6A
Contact resistance :	20mΩ(Max)	
Insulation resistance:	500MΩ/DC500V	
Withstanding Voltage :	AC2000V/1min	
Wire range:	24-18AWG 0.5mm <sup>2</sup>	

- Mechanical
  - Operating temperature:  $-40^{\circ}\text{C} \sim +105^{\circ}\text{C}$
  - Soldering temperature:  $250^{\circ}\text{C} \pm 5/5\text{sec}$
  - Strip length: 8-9mm

- RoHS compliance



P.C.B.LAYOUT

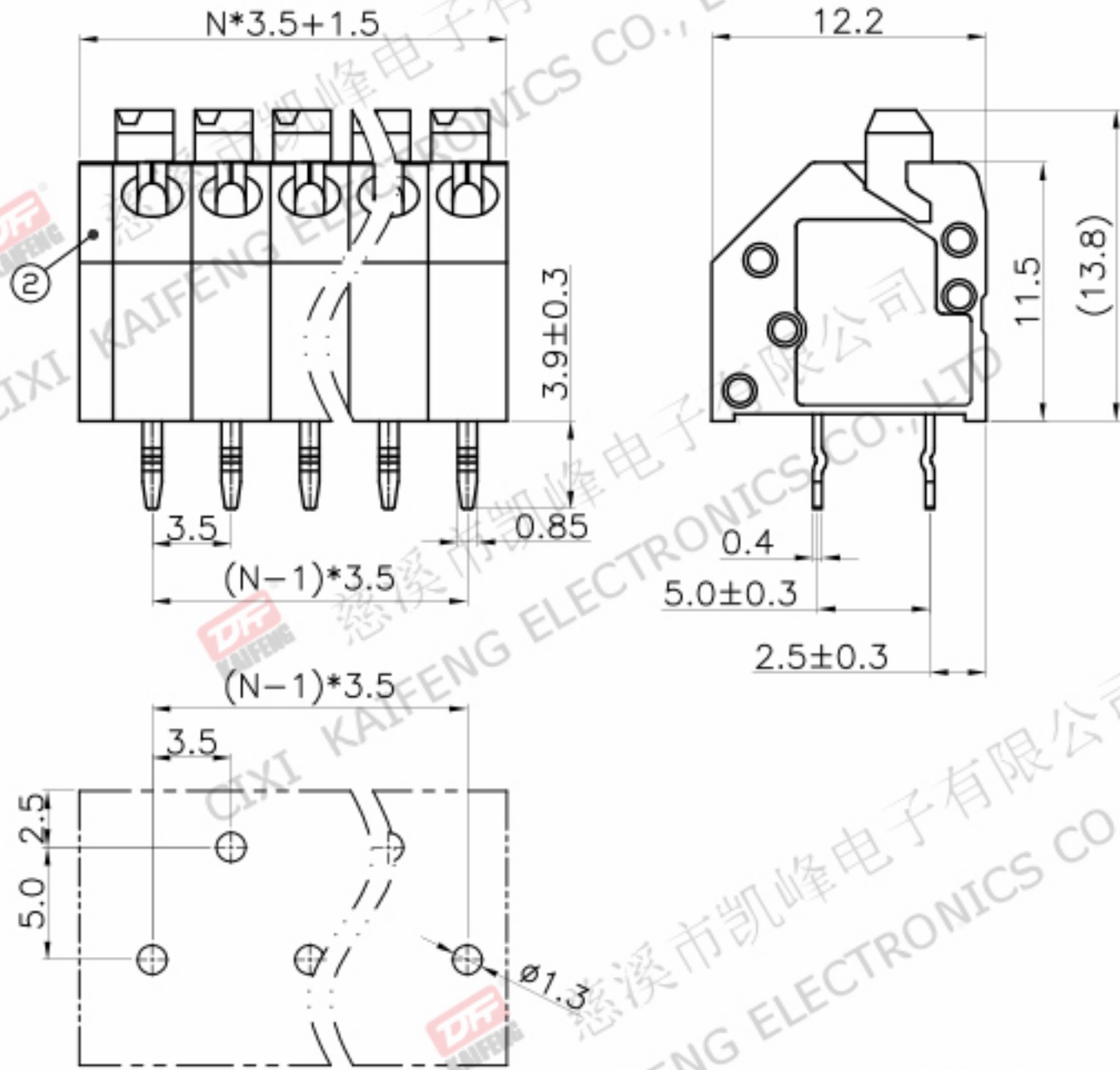
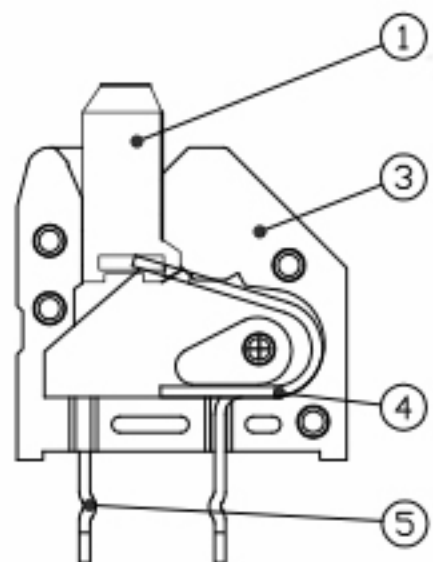
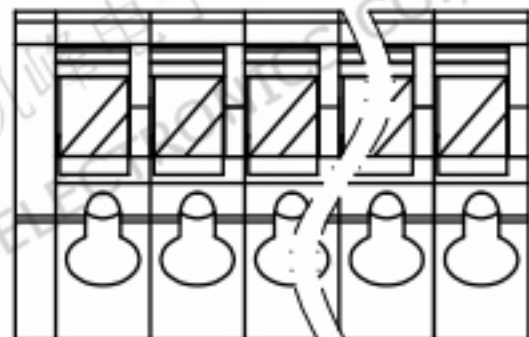
Pitch range	Nominal dimension range							PROJECTION	TITLE
>0	>6	>10	>0	>30	>60	>100	>150	UNIT	mm
~6	~10	~24	~30	~60	~100	~150	>150	SHEET SIZE	A4
±0.15	±0.20	±0.30	±0.30	±0.50	±0.70	±1.00	±1.30	DRAWING TYPE	CUSTOMER DRAWING
SCALE		1:1		SHEET		1 OF 1		DRAWING NO.	
								W11000322	

PROJECTION TITLE KF250A-2.5-XXP-1X

SHEET SIZE A4 SERIES KF250

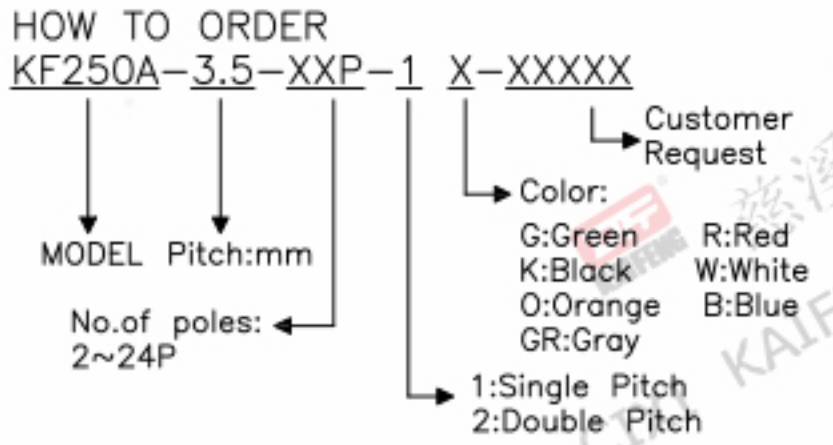
**DF** 慈溪市凯峰电子有限公司  
CIXI KAIFENG ELECTRONICS CO.,LTD

REV.	DESCRIPTION	DATE	DRAFTER	APPROVER
A1	DWG.REL	2020.05.25	DENG	JIN



- Material
  - ① Button : PA66, UL94V-0
  - ② Cover : PA66, UL94V-0
  - ③ Housing : PA66, UL94V-0
  - ④ Pin header A: Copper alloy, Tin plated
  - ⑤ Pin header B: Copper alloy, Tin plated
- Electrical
 

UL	IEC
Rated voltage : 300V	250V
Rated current : 7A	8A
Contact resistance : 20mΩ(Max)	
Insulation resistance: 500MΩ/DC500V	
Withstanding Voltage : AC2000V/1min	
Wire range: 24-18AWG 0.75mm <sup>2</sup>	
- Mechanical
  - Operating temperature: -40°C ~ +105°C
  - Soldering temperature: 250°C ± 5 / 5sec
  - Strip length: 8-9mm
- RoHS compliance



P.C.B.LAYOUT

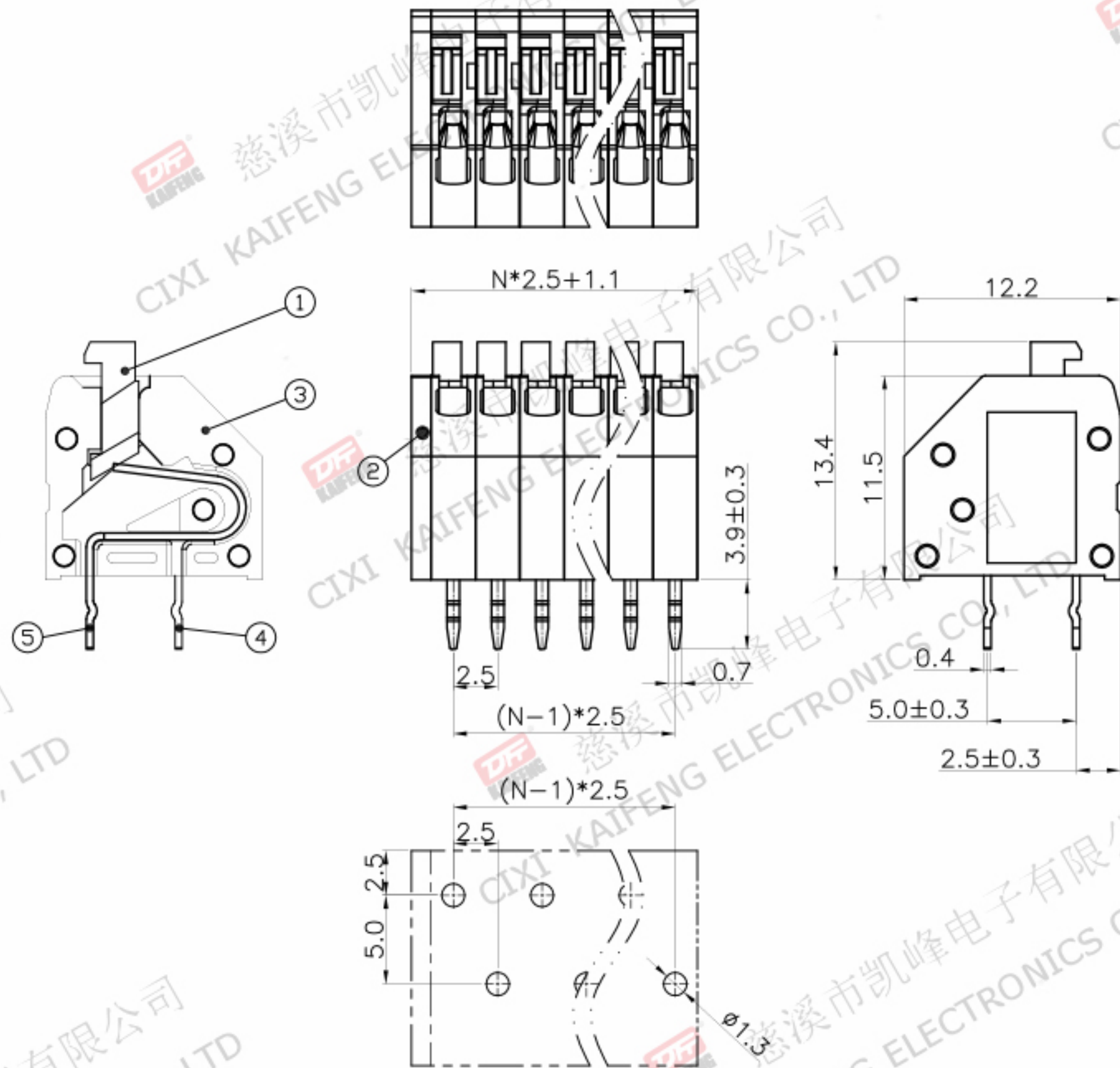
Pitch range	Nominal dimension range							PROJECTION	TITLE
>0	>6	>10	>0	>30	>60	>100	>150	UNIT	mm
~6	~10	~24	~30	~60	~100	~150	>150	SHEET SIZE	A4
±0.15	±0.20	±0.30	±0.30	±0.50	±0.70	±1.00	±1.30	DRAWING TYPE	CUSTOMER DRAWING
SCALE		1:1		SHEET		1 OF 1		DRAWING NO.	
								W11000062	

PROJECTION: TITLE: KF250A-3.5-XXP-1X

SHEET SIZE: A4 SERIES: KF250

**DF** 慈溪市凯峰电子有限公司  
CIXI KAIFENG ELECTRONICS CO.,LTD

REV.	DESCRIPTION	DATE	DRAFTER	APPROVER
A1	DWG.REL	2020.05.28	DENG	JIN



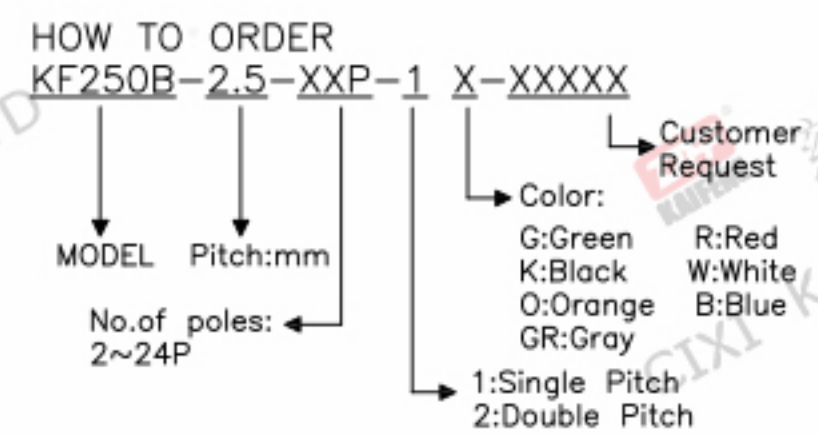
- Material
  - ① Button : PA66, UL94V-0
  - ② Cover : PA66, UL94V-0
  - ③ Housing : PA66, UL94V-0
  - ④ Pin header A: Copper alloy, Tin plated
  - ⑤ Pin header B: Copper alloy, Tin plated

- Electrical
 

	UL	IEC
Rated voltage :	300V	250V
Rated current :	7A	6A
Contact resistance :	20mΩ(Max)	
Insulation resistance:	500MΩ/DC500V	
Withstanding Voltage :	AC2000V/1min	
Wire range:	24-18AWG 0.5mm <sup>2</sup>	

- Mechanical
  - Operating temperature:  $-40^{\circ}\text{C} \sim +105^{\circ}\text{C}$
  - Soldering temperature:  $250^{\circ}\text{C} \pm 5/5\text{sec}$
  - Strip length: 8-9mm

- RoHS compliance



Pitch range	Nominal dimension range	PROJECTION	TITLE
>0 ~6	>0 ~30	UNIT	KF250B-2.5-XXP-1X
>10 ~24	>30 ~60	mm	
>30 ~60	>60 ~100	SHEET SIZE	SERIES
>60 ~100	>100 ~150	A4	KF250
>150	>150		
$\pm 0.15$	$\pm 0.20$		
$\pm 0.30$	$\pm 0.30$		
$\pm 0.50$	$\pm 0.50$		
$\pm 0.70$	$\pm 0.70$		
$\pm 1.00$	$\pm 1.00$		
$\pm 1.30$	$\pm 1.30$		
$\pm 2'$			

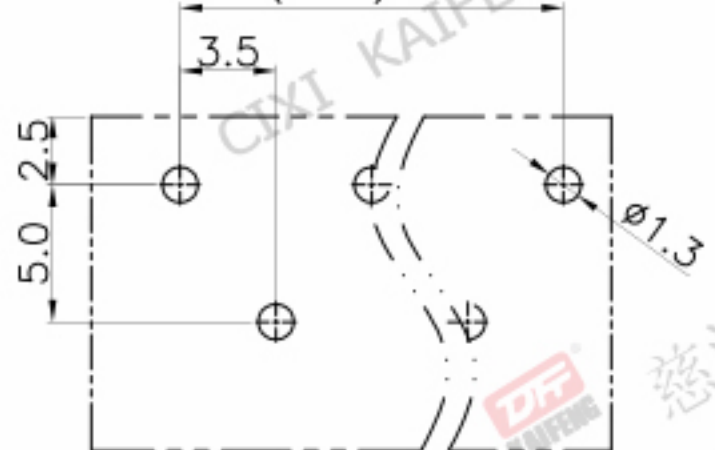
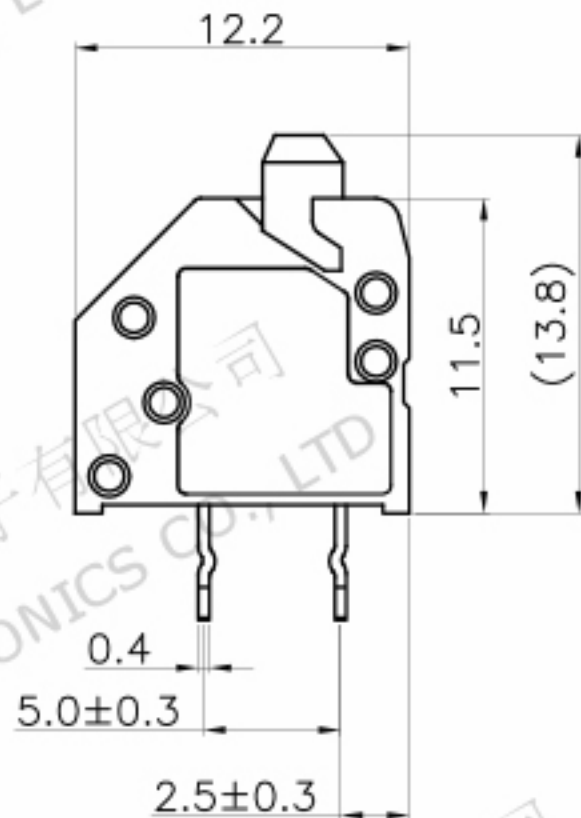
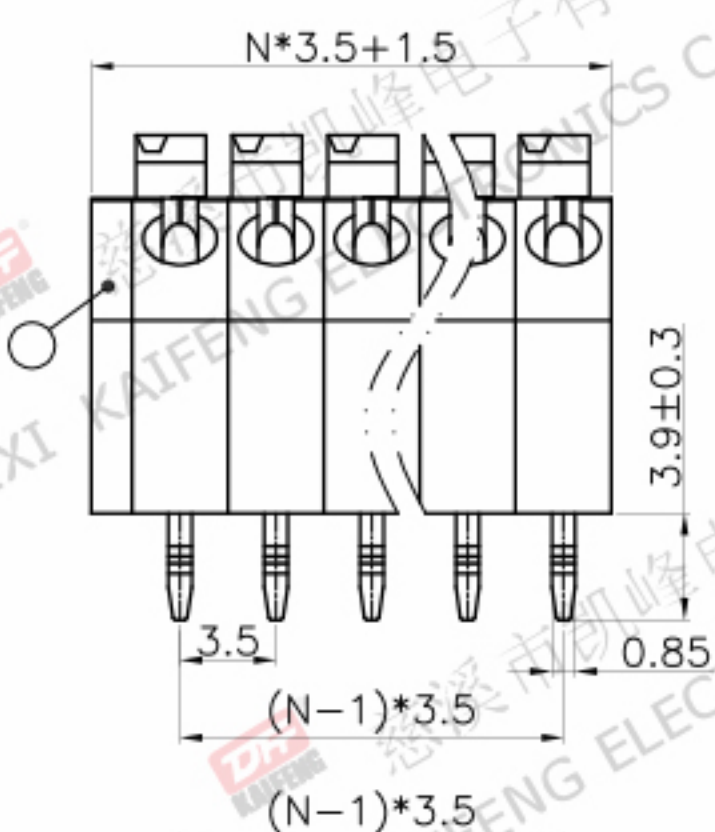
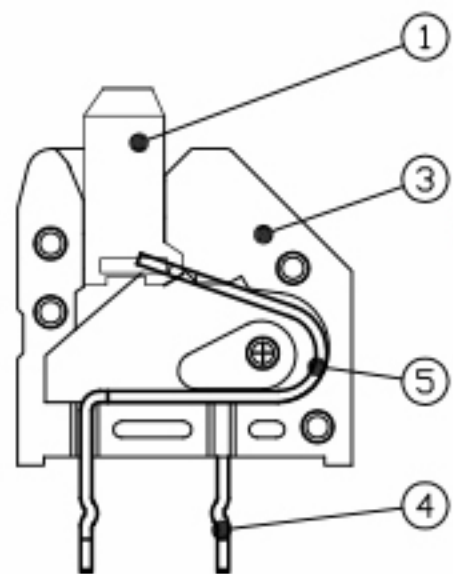
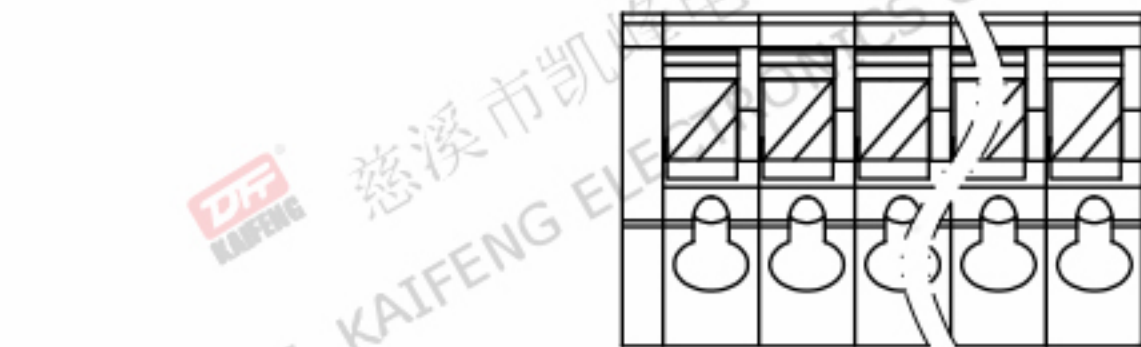
DRAWING TYPE: CUSTOMER DRAWING

SCALE: 1:1 SHEET: 1 OF 1

DRAWING NO.: W11000332

**DF** 慈溪市凯峰电子有限公司  
CIXI KAIFENG ELECTRONICS CO.,LTD

REV.	DESCRIPTION	DATE	DRAFTER	APPROVER
A1	DWG.REL	2020.05.25	DENG	JIN



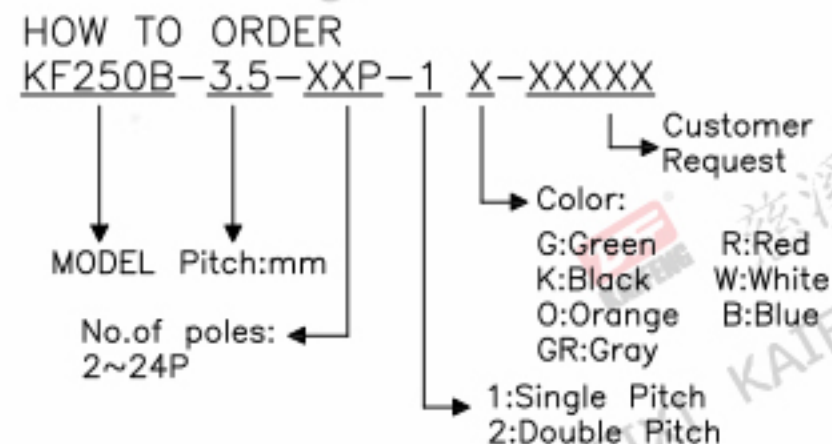
- Material
  - ØButton : PA66, UL94V-0
  - ØCover : PA66, UL94V-0
  - ØHousing : PA66, UL94V-0
  - ØPin header A:Copper alloy, Tin plated
  - ØPin header B:Copper alloy, Tin plated

- Electrical
 

UL	IEC
Rated voltage : 300V	250V
Rated current : 7A	8A
Contact resistance : 20mΩ(Max)	
Insulation resistance: 500MΩ/DC500V	
Withstanding Voltage : AC2000V/1min	
Wire range: 24-18AWG 0.75mm <sup>2</sup>	

- Mechanical
  - Operating temperature: -40°C ~ +105°C
  - Soldering temperature: 250°C ± 5 / 5sec
  - Strip length: 8-9mm

- RoHS compliance



P.C.B. LAYOUT

Pitch range	Nominal dimension range							PROJECTION	TITLE
>0	>6	>10	>0	>30	>60	>100	>150	UNIT	mm
~6	~10	~24	~30	~60	~100	~150	>150	SHEET SIZE	A4
±0.15	±0.20	±0.30	±0.30	±0.50	±0.70	±1.00	±1.30	DRAWING TYPE	CUSTOMER DRAWING
SCALE		1:1		SHEET		1 OF 1		DRAWING NO.	
								W11000072	

PROJECTION	TITLE
UNIT	mm
SHEET SIZE	A4
SERIES	KF250
TITLE	
KF250B-3.5-XXP-1X	

**DF** 慈溪市凯峰电子有限公司  
CIXI KAIFENG ELECTRONICS CO.,LTD