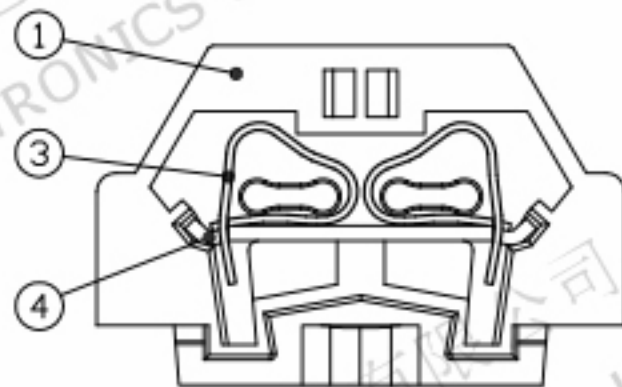
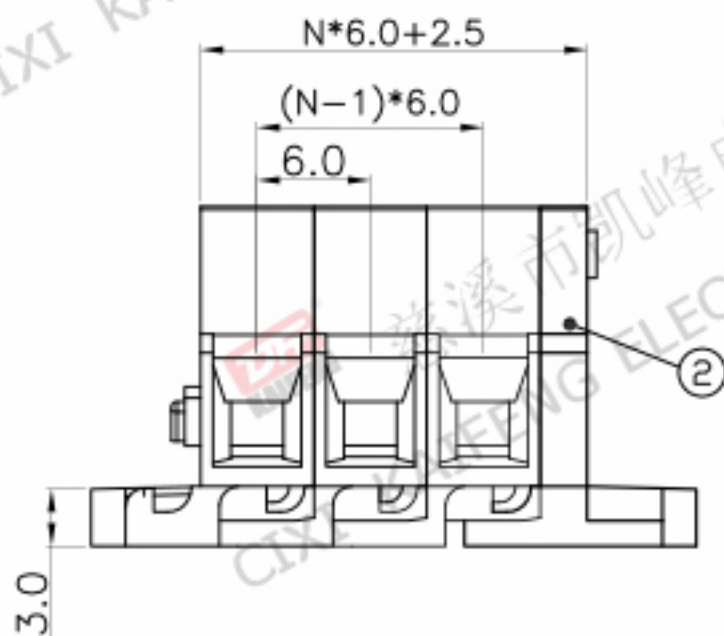
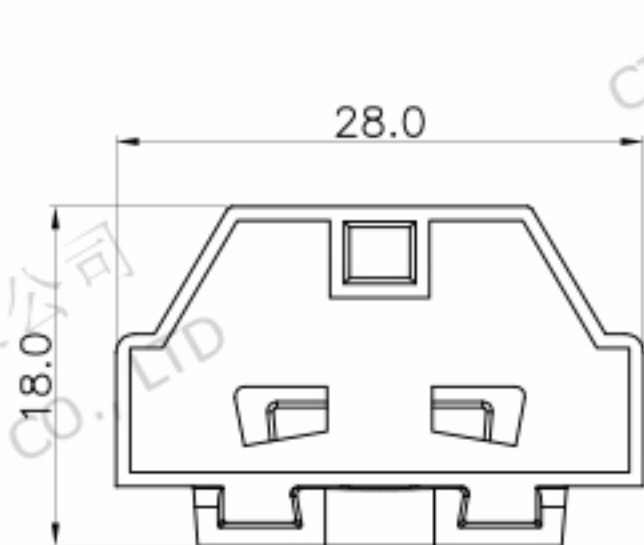
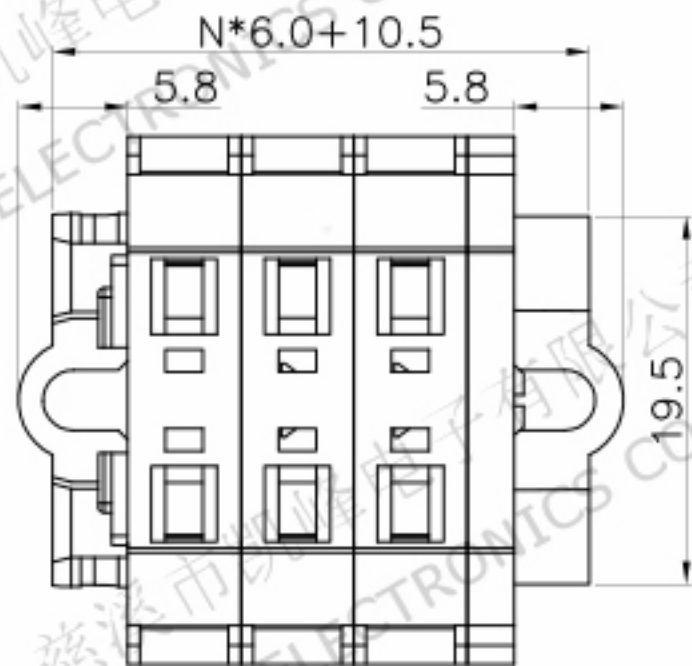
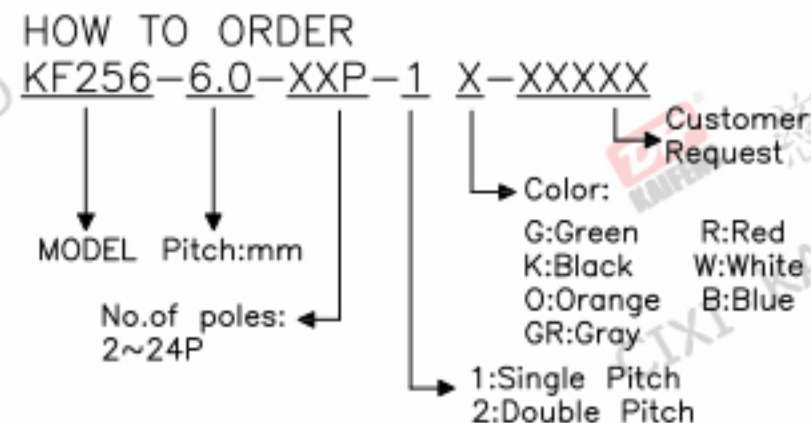


REV.	DESCRIPTION	DATE	DRAFTER	APPROVER
A1	DWG.REL	2020.05.25	DENG	JIN



- Material
 - ØHousing : PA66, UL94V-0
 - ØCover : PA66, UL94V-0
 - ØReed : Stainless steel
 - ØPin header : Copper alloy, Tin plated
- Electrical

	UL	IEC
Rated voltage :	300V	450V
Rated current :	15A	24A
Contact resistance :	20mΩ(Max)	
Insulation resistance:	500MΩ/DC500V	
Withstanding Voltage :	AC2500V/1min	
Wire range:	26-14AWG 2.5mm ²	
- Mechanical
 - Operating temperature: -40°C ~ +105°C
 - Soldering temperature: 250°C ± 5 / 5sec
 - Strip length: 8-9mm
- RoHS compliance



Pitch range	Nominal dimension range	PROJECTION	TITLE
>0	>0	UNIT	KF256-6.0-XXP-1X
>6	>30	SHEET SIZE	A4
>10	>60	SERIES	KF256
>24	>100		
>30	>150		
±0.15	±0.20		
±0.30	±0.30		
±0.50	±0.70		
±1.00	±1.30		
±2'			

DRAWING TYPE: CUSTOMER DRAWING

SCALE: 1:1 SHEET: 1 OF 1

DRAWING NO.: W11000052

慈溪市凯峰电子有限公司
CIXI KAIFENG ELECTRONICS CO.,LTD